



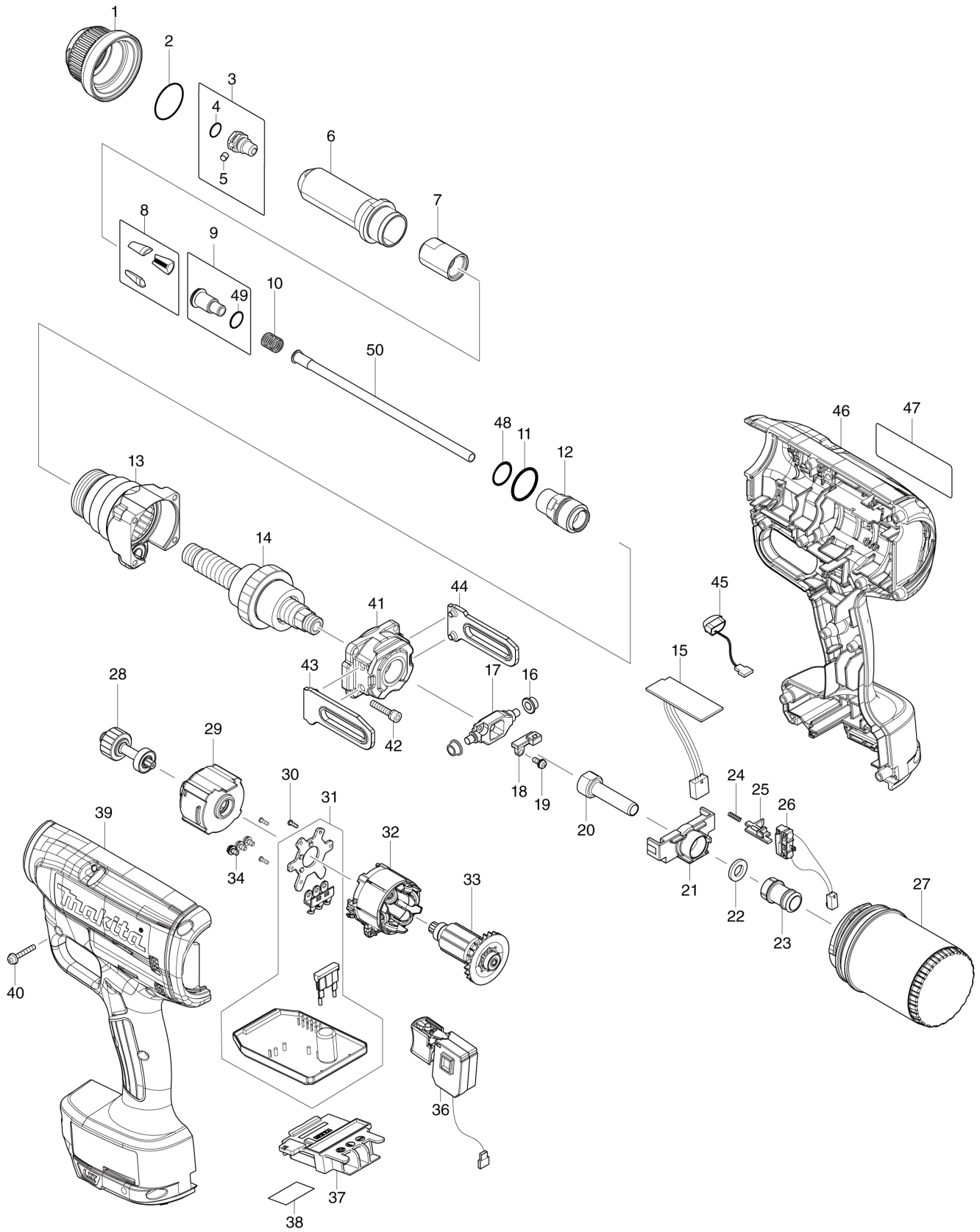
US	U.S.A.
----	--------

Diagram / Parts List

XVR02

CORDLESS RIVET GUN

(US) XVR02 / CORDLESS RIVET GUN



US

U.S.A.

XVR02 / CORDLESS RIVET GUN

Item	Sub	Parts No.	Parts Description	Qty	I/C	E/C No.	Close No.	Remark
001		319774-5	SCREW NUT 6.4	1			DJ402	
001-1		312B52-4	SCREW NUT 6.4S	1	<	DJ402		
002		213380-7	O RING 24	1				
003		127223-6	NOSEPIECE 6.4 ASSEMBLY	1			DJ402	
	D10		INC. 4,5				DJ402	
003-1		122B72-8	NOSE PIECE 6.4S ASSEMBLY	1	S	DJ402		
	D10		INC. 4,5			DJ402		
004		213011-8	O RING 7	1				
005		256217-5	PIN 4	1				
006-1		327279-1	HEAD 6.4	1			DJ402	
006-2		327830-7	HEAD 6.4S	1	S	DJ402		
007-1		327281-4	JAW CASE	1			DJ402	
007-2		327831-5	JAW CASE 6.4S	1	S	DJ402		
008		199730-9	JAW 6.4 SET	1				
009		127473-3	JAW PUSHER 4.5 ASSEMBLY	1				
	D10		INC. 49					
010		232586-8	COMPRESSION SPRING 7	1				
011		213265-7	O RING 17	1				
012		327280-6	JOINT 6.4	1				
013		140E32-6	FRONT HOUSING COMPLETE	1				
014		127050-1	BALL SCREW	1				
015		620958-3	HALL IC CIRCUIT	1				
016		257457-8	RING 5	2				
017		310907-5	ROLLER SHAFT 6.4	1				
018		140E40-7	MAGNET HOLDER COMPLETE	1			D0651	
018-1		140T04-1	MAGNET HOLDER COMPLETE	1	<	D0651		
019		911008-8	PAN HEAD SCREW M3X8	1				
020		327202-6	TUBE	1				
021		458772-5	TUBE GUIDE A	1				
022		261161-3	FELT RING 8	1				
023		458773-3	TUBE GUIDE B	1				
024		233025-1	COMPRESSION SPRING 2	1				
025		458774-1	SWITCH LEVER	1				
026		632M90-9	SWITCH UNIT	1				
027		162500-9	MANDREL CONTAINER COMPLETE	1				
028		140E31-8	SPUR GEAR 10 COMPLETE	1				
029		127051-9	GEAR ASSEMBLY	1				
030		266490-9	TAPPING SCREW PT 2X6	3				
031		632P82-6	CONTROLLER UNIT	1				
032		629373-8	STATOR	1				
033		619535-6	ROTOR	1			DP336	
033-1		619535-6	ROTOR	1	O	DP336		
034		652069-6	FLAT HEAD SCREW M3X6	3				
036		651379-8	SWITCH C3JW-1A-S	1				
037		643874-2	TERMINAL	1				
038		855M29-7	XVR02 SERIAL NO. LABEL	1				
039		183L30-9	HOUSING SET	1				
	C10	263005-3	RUBBER PIN 6	2				
	C20	252126-6	HEX. LOCK NUT M4-7	2				
	C30	931002-4	HEX. NUT M3	10				
	D10		INC. 46					
040		265095-2	PAN HEAD SCREW M3X20	10				
041		140E33-4	REAR HOUSING COMPLETE	1				
042		265490-6	HEX. SOCKET HEAD BOLT M4X16	4				
043		310908-3	GUIDE PLATE L	1			D0651	
043-1		313297-5	GUIDE PLATE L	1	<	D0651		
044		310909-1	GUIDE PLATE R	1			D0651	
044-1		313298-3	GUIDE PLATE R	1	<	D0651		
045		620549-0	LED CIRCUIT	1				
046		183L30-9	HOUSING SET	1				
	C10	263005-3	RUBBER PIN 6	2				
	C20	252126-6	HEX. LOCK NUT M4-7	2				
	C30	931002-4	HEX. NUT M3	10				
	D10		INC. 39					
047		855M21-3	XVR02 NAME PLATE	1				

A:XVR02Z(N)
B:XVR02T(L)Interchange
O : Yes
X : No
< : the new part can be substituted for the current.
> : the current part can be substituted for the new.
S : Interchangeable as a set.

