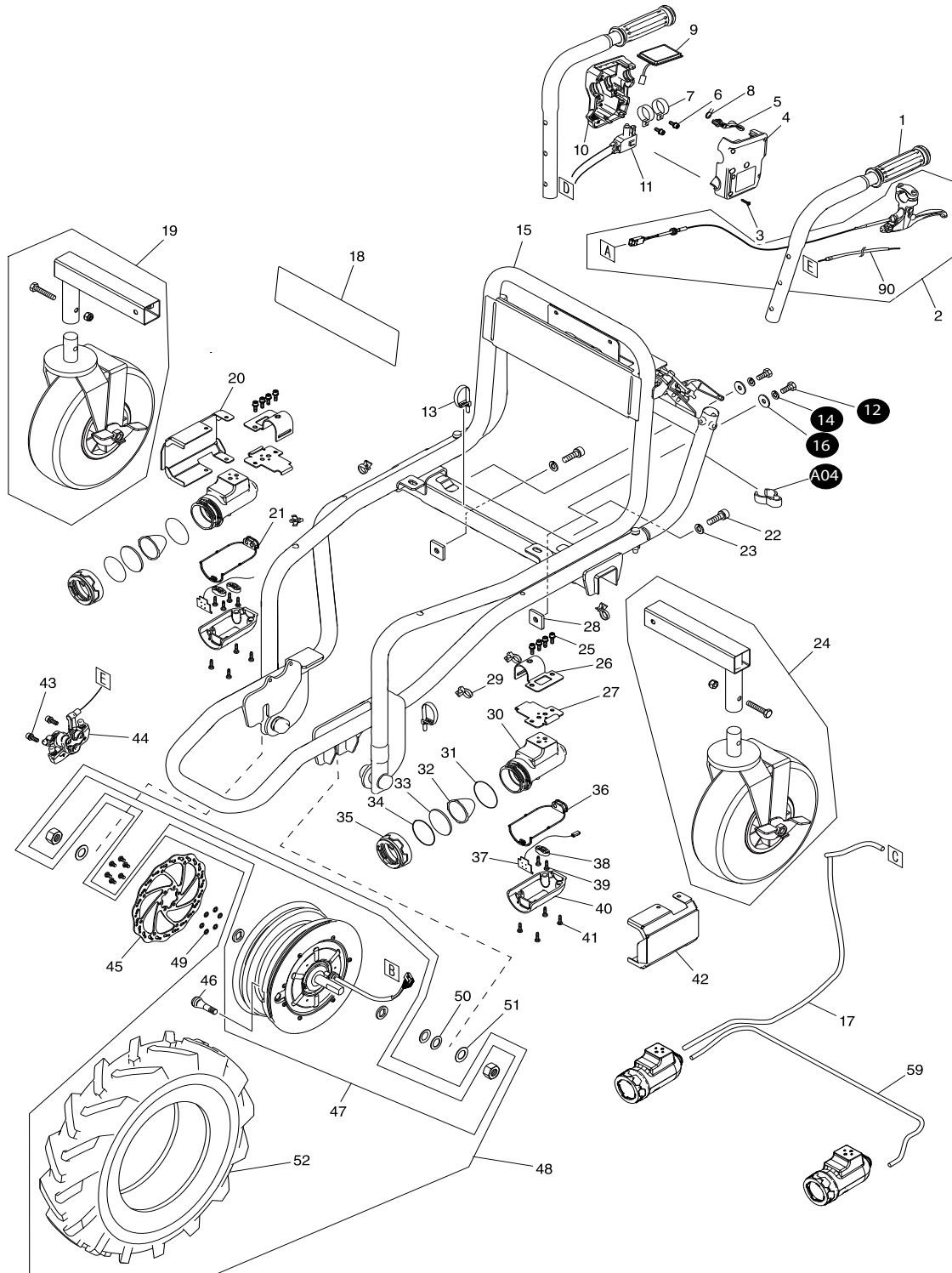




XUC01
XUC01X1
XUC01X2



Products with multiple versions are listed in subsiding order with the newest version on top not indented.

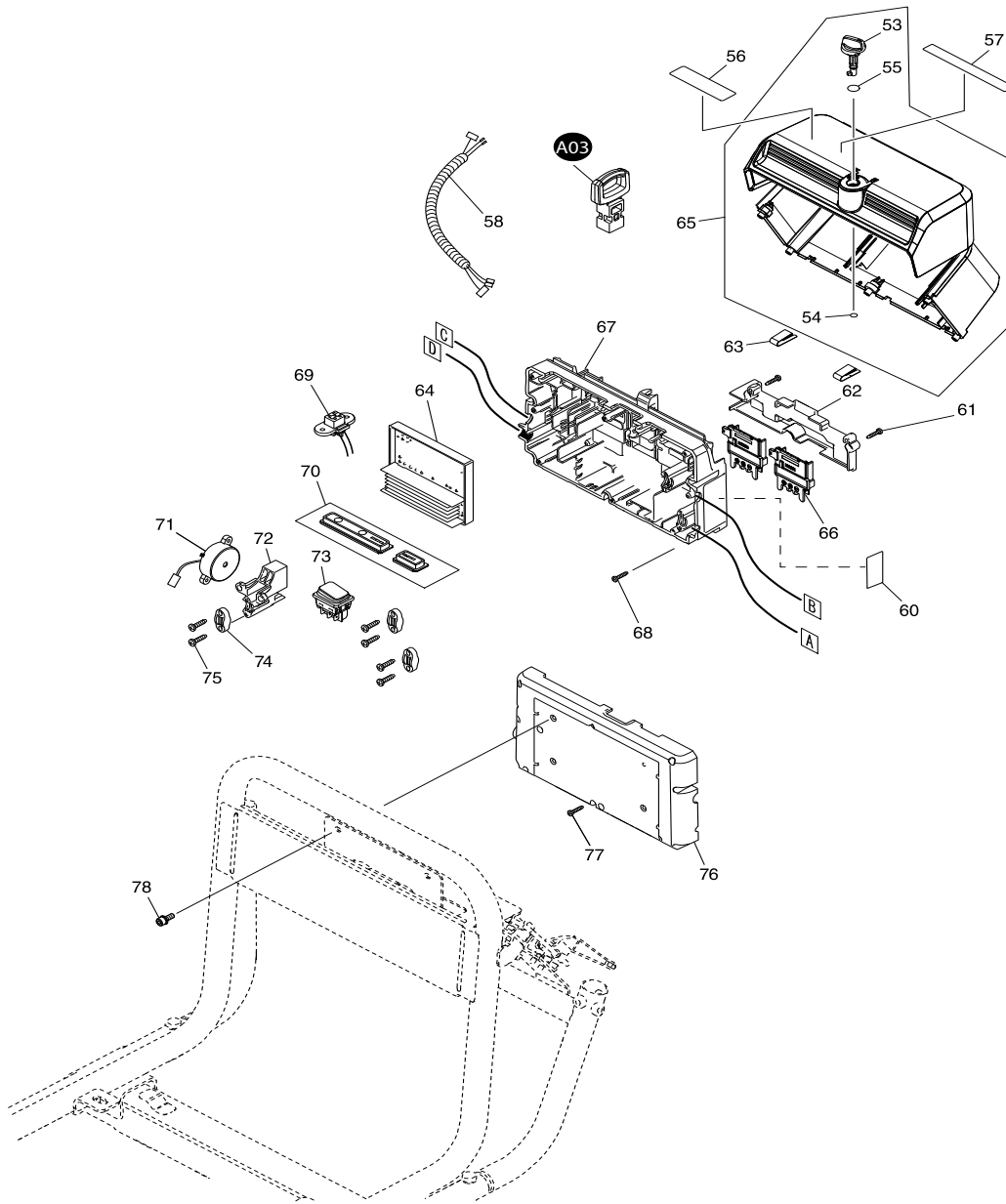
Section	Fig. No.	Part No.	Description	XUC01	XUC01X1	XUC01X2	Tech Bulletin	Notes
1	1	161640-0	HANDLE COMPLETE	2	2	2		
1	2	161648-4	BRAKE ASSEMBLY	1	1	1		INC. 90
1	3	266130-9	TAPPING SCREW BIND PT 3X16	5	5	5		
1	4	183G32-5	SWITCH BOX SET	1	1	1		INC 10
1	5	457633-6	SWITCH LEVER	1	1	1		
1	6	922223-9	H.S.H.BOLT M5X16 WITH WR	2	2	2		
1	7	346249-1	PIPE CLAMP 28	2	2	2		
1	8	233540-5	TORSION SPRING 11	1	1	1		
1	9	144521-3	SWITCH PLATE COMPLETE	1	1	1		
1		812S78-3	SWITCH LABEL	1	1	1		INC WITH FIG 9
1	10	183G32-5	SWITCH BOX SET	1	1	1		INC 4
1	11	650781-2	SWITCH C3JW-6B-P	1	1	1		
1	12	251595-8	HEX.BOLT M8X20	2	2	2		Included in Assembly Hardware
1	13	687410-4	BAND	2	2	2		
1	14	942201-3	SPRING WASHER 8	2	2	2		Included in Assembly Hardware
1	15	126905-7	FRAME ASSEMBLY	1	1	1	C2897	CHG AS SET WITH FIGS 19 & 24. INC. 79-85,88,89,91,94-99
1	15	126589-1	FRAME ASSEMBLY	1	1	1		INC. 79-89,91-99
1	16	253852-0	FLAT WASHER 8	2	2	2		Included in Assembly Hardware
1	17	699095-4	POWER SUPPLY CORD UNIT	1	1	1		
1	19	127092-5	REAR TIRE R ASSEMBLY	1	1	1	C2897/C3920	CHG AS SET WITH FIG 15 & 24
1		161836-3	JOINT	1	1	1		INC WITH FIG 19
1		161868-0	TIRE 260 WITH STOPPER	1	1	1		INC WITH FIG 19
1		921467-8	HEX BOLD M8X45	1	1	1		INC WITH FIG 19
1		252105-4	HEX LOCK NUT M8-13	1	1	1		INC WITH FIG 19
1	19	126893-8	REARTIRE ASSEMBLY WITH STOPPER	1	1	1		
1	20	347278-7	GUARD R	1	1	1		
1	21	422151-3	PACKING	1	1	1		
1	22	266240-2	HEX. SOCKET HEAD BOLT M10X25	2	2	2		
1	23	941251-5	FLAT WASHER 10	2	2	2		
1	24	127092-5	REARTIRE ASSEMBLY WITH STOPPER	1	1	1	C2897/C3920	CHG AS SET WITH FIG 15 & 19
1		161836-3	JOINT	1	1	1		INC WITH FIG 24
1		161868-0	TIRE 260 WITH STOPPER	1	1	1		INC WITH FIG 24
1		921467-8	HEX BOLD M8X45	1	1	1		INC WITH FIG 24

Products with multiple versions are listed in subsiding order with the newest version on top not indented.

Section	Fig. No.	Part No.	Description	XUC01	XUC01X1	XUC01X2	Tech Bulletin	Notes
1		252105-4	HEX LOCK NUT M8-13	1	1	1		INC WITH FIG 24
1	24	126837-8	REAR TIRE LASSEMBLY	1	1	1		
1	25	922223-9	H.S.H.BOLT M5X16 WITH WR	8	8	8		
1	26	347238-9	CLAMP A	2	2	2		
1	27	347239-7	CLAMP B	2	2	2		
1	28	347394-5	PLATE	2	2	2		
1	29	687849-1	BAND	5	5	5		
1	30	319594-7	LIGHT CASE	2	2	2		
1	31	213656-2	O RING 53	2	2	2		
1	32	457636-0	REFLECTOR	2	2	2		
1	33	457634-4	LENS	2	2	2		
1	34	213604-1	O RING 50	2	2	2		
1	35	457635-2	COVER	2	2	2		
1	36	422166-0	PACKING	1	1	1		
1	37	620685-2	LED CIRCUIT	2	2	2		
1	38	687123-7	STRAIN RELIEF	3	3	3		
1	39	266034-5	TAPPING SCREW CT 4X16	6	6	6		
1	40	319595-5	LIGHT CASE COVER	2	2	2		
1	41	266034-5	TAPPING SCREW CT 4X16	8	8	8		
1	42	347279-5	GUARD L	1	1	1		
1	43	265A98-2	H.S.H.BOLT M6X18 WITH WR	2	2	2	D0120	
1	43	922328-5	H.S.H.BOLT M6X18 WITH WR	2	2	2		
1	44	161641-8	BRAKE CALIPER ASSEMBLY	1	1	1		
1	45	347208-8	BRAKE DISC	1	1	1		
1	46	161638-7	SNAP IN VALVE	1	1	1		
1	47	126904-9	WHEEL	1	1	1	C2897	
1		BF00000002	HEX NUT M16	2	2	2		INC WITH FIG 47
1		BF00000003	FLAT WASHER	2	2	2		INC WITH FIG 47
1		BF00000001	HEX SOCKET BUTTON BOLT M5X8	6	6	6		INC WITH FIG 47
1	47	126590-6	WHEEL	1	1	1		
1	48	127081-0	FRONT TIRE ASSEMBLY	1	1	1	C2897	INC. 46,47,52
1	48	126734-8	FRONT TIRE ASSEMBLY	1	1	1		INC. 46,47,52
1	49	941102-2	FLAT WASHER 5	6	6	6		

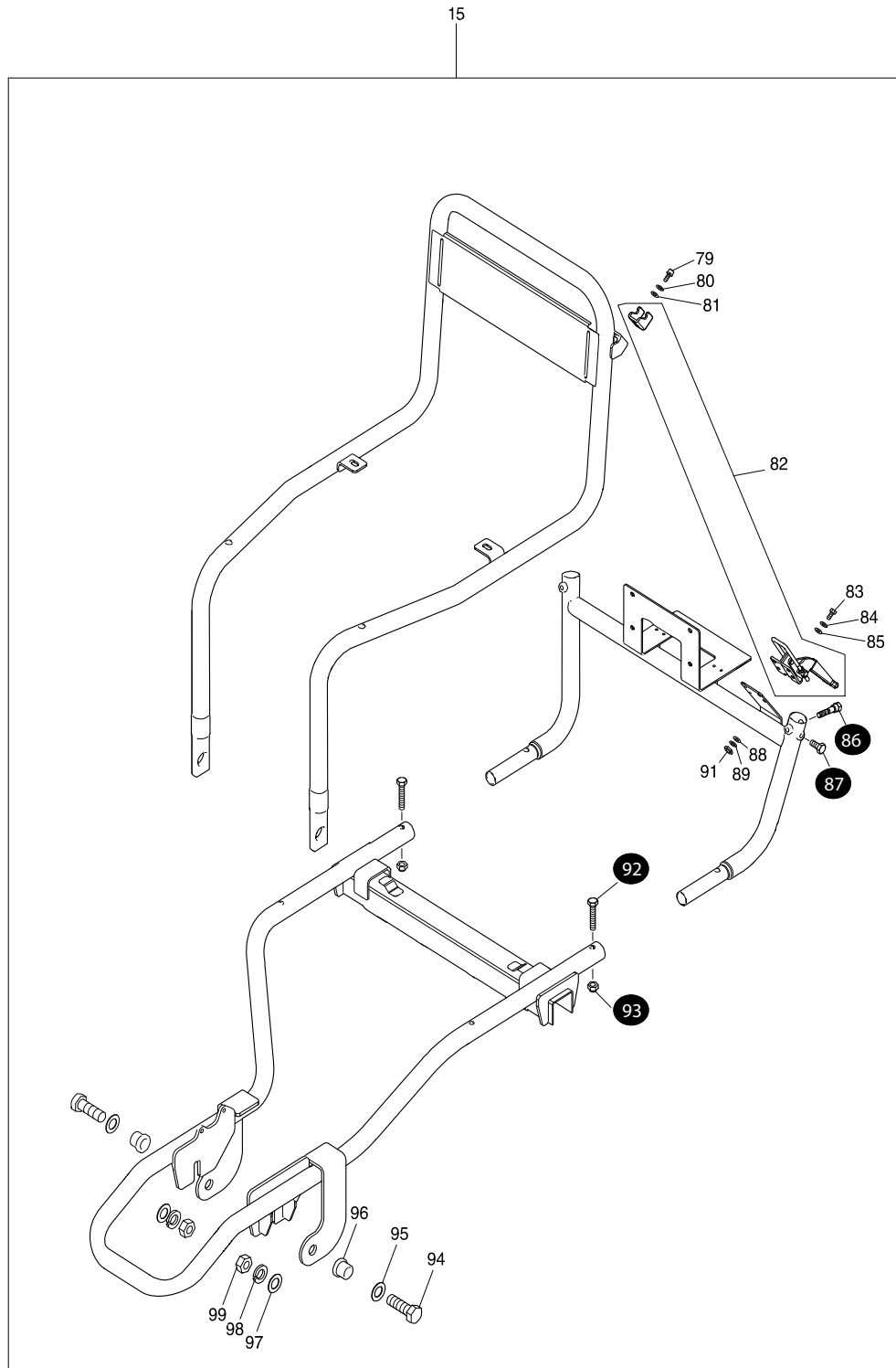
Products with multiple versions are listed in subsiding order with the newest version on top not indented.

Section	Fig. No.	Part No.	Description	XUC01	XUC01X1	XUC01X2	Tech Bulletin	Notes
1	50	232247-0	CONED DISC SPRING 16	2	2	2		
1	51	253377-4	FLAT WASHER 17	2	2	2		
1	52	422159-7	FRONT TIRE 430	1	1	1		
1	59	699096-2	POWER SUPPLY CORD UNIT	1	1	1		
1		682576-5	GROMMET	1	1	1		INC WITH FIG 59
1		688162-0	LINE FILTER	1	1	1		INC WITH FIG 59
1	90	144700-3	BRAKE CABLE	1	1	1		
1	A04	455588-9	CLAMP	2	2	2		Included in Assembly Hardware



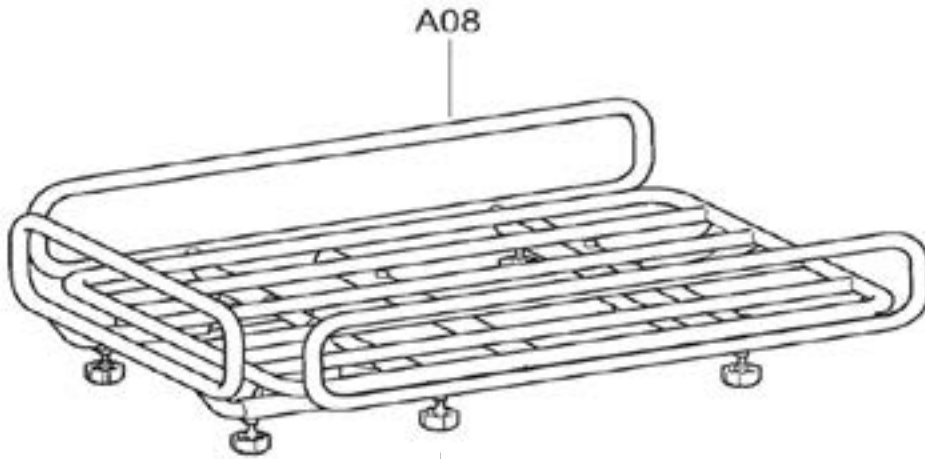
Products with multiple versions are listed in subsiding order with the newest version on top not indented.

Section	Fig. No.	Part No.	Description	XUC01	XUC01X1	XUC01X2	Tech Bulletin	Notes
2	53	457625-5	LEVER 25	1	1	1		
2	54	213005-3	O RING 5	1	1	1		
2	55	213078-6	O-RING 10	1	1	1		
2	58	632K49-4	LEAD UNIT	1	1	1		
2	61	266130-9	TAPPING SCREW BIND PT 3X16	2	2	2		
2	62	457629-7	TERMINAL HOLDER	1	1	1		
2	63	232267-4	LEAF SPRING	2	2	2		
2	64	620675-5	CONTROLLER	1	1	1		
2	65	135934-9	BATTERY BOX ASSY	1	1	1		INC. 53-55
2	66	643874-2	TERMINAL	2	2	2		
2	67	144519-0	CENTER CASE COMPLETE	1	1	1		
2		263005-3	RUBBER PIN 6	4	4	4		INC WITH FIG 67
2	68	266130-9	TAPPING SCREW BIND PT 3X16	5	5	5		
2	69	632K50-9	LEAD UNIT	1	1	1		
2	70	144520-5	SUB CONTROLLER COMPLETE	1	1	1		
2	71	620684-4	BUZZER CIRCUIT	1	1	1		
2	72	457630-2	COVER	1	1	1		
2	73	651534-2	SWITCH 1934.3112B	1	1	1		
2	74	687123-7	STRAIN RELIEF	3	3	3		
2	75	266326-2	TAPPING SCREW 4X18	6	6	6		
2	76	457628-9	FRONT COVER	1	1	1		
2	77	266130-9	TAPPING SCREW BIND PT 3X16	8	8	8		
2	78	922218-2	H.S.H.BOLT M5X14 WITH WR	4	4	4		
2	A03	643890-4	KEY	1	1	1		Included in Assembly Hardware

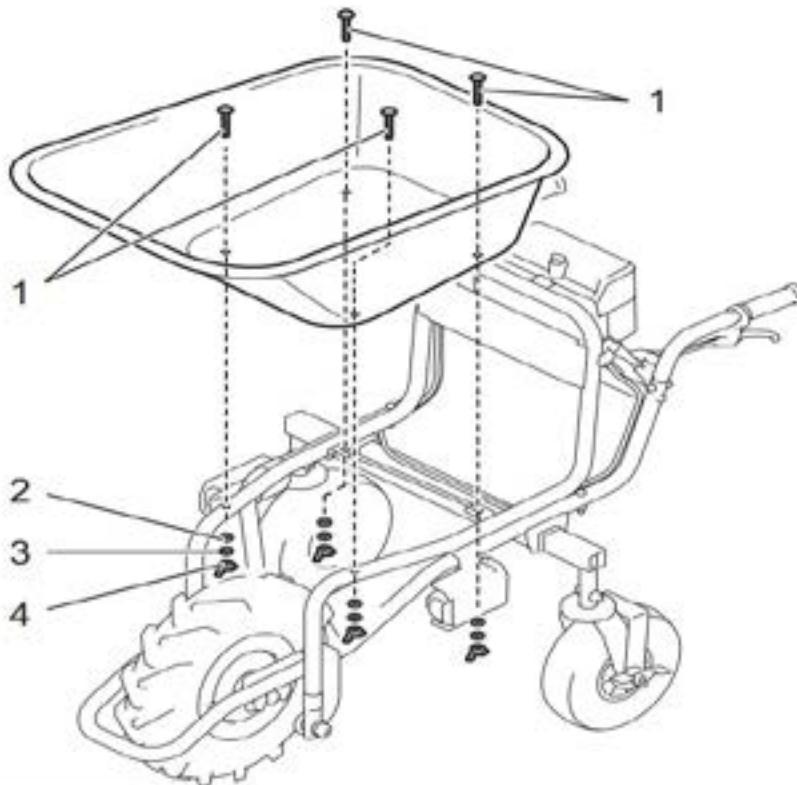


Products with multiple versions are listed in subsiding order with the newest version on top not indented.

Section	Fig. No.	Part No.	Description	XUC01	XUC01X1	XUC01X2	Tech Bulletin	Notes
3	15	126905-7	FRAME ASSEMBLY	1	1	1	C2897	INC. 79-85,88,89,91,94-99
3	15	126589-1	FRAME ASSEMBLY	1	1	1		INC. 79-89,91-99
3	79	TR00000069	HEX.SOCKET HEAD BOLT M5X14	2	2	2		
3	80	942101-7	SPRING WASHER 5	2	2	2		
3	81	941101-4	FLAT WASHER 5	2	2	2		
3	82	TR00000067	LOCK LEVER	1	1	1		
3	83	TR00000068	HEX.BOLT M5X16	4	4	4		
3	84	942101-7	SPRING WASHER 5	4	4	4		
3	85	941101-4	FLAT WASHER 5	4	4	4		
3	86	251594-0	SHOULDER HEX. BOLT M8X40	2	2	2		Included in Assembly Hardware
3	87	251595-8	HEX.BOLT M8X20	2	2	2		Included in Assembly Hardware
3	88	941101-4	FLAT WASHER 5	4	4	4		
3	89	942101-7	SPRING WASHER 5	4	4	4		
3	91	931202-6	HEX. NUT M5	4	4	4		
3	92	921467-8	HEX. BOLT M8X45	2	2	2		Included in Assembly Hardware
3	93	252105-4	HEX. LOCK NUT M8-13	2	2	2		Included in Assembly Hardware
3	94	TR00000070	HEX.BOLT M16X50	2	2	2		
3	95	TR00000073	FLAT WASHER 17	2	2	2		
3	96	326968-5	SLEEVE 17	2	2	2		
3	97	TR00000073	FLAT WASHER 17	2	2	2		
3	98	TR00000072	SPRING 16	2	2	2		
3	99	TR00000071	HEX.NUT M16-24	2	2	2		
3	A05	781006-4	WRENCH 13	2	2	2		Not Pictured



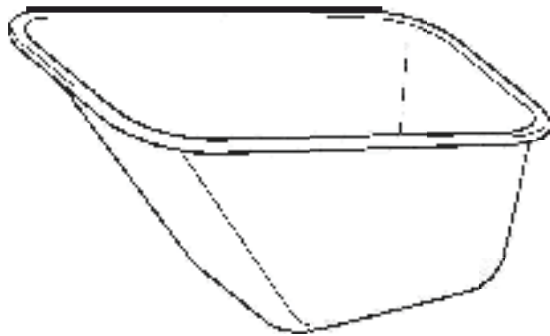
A10



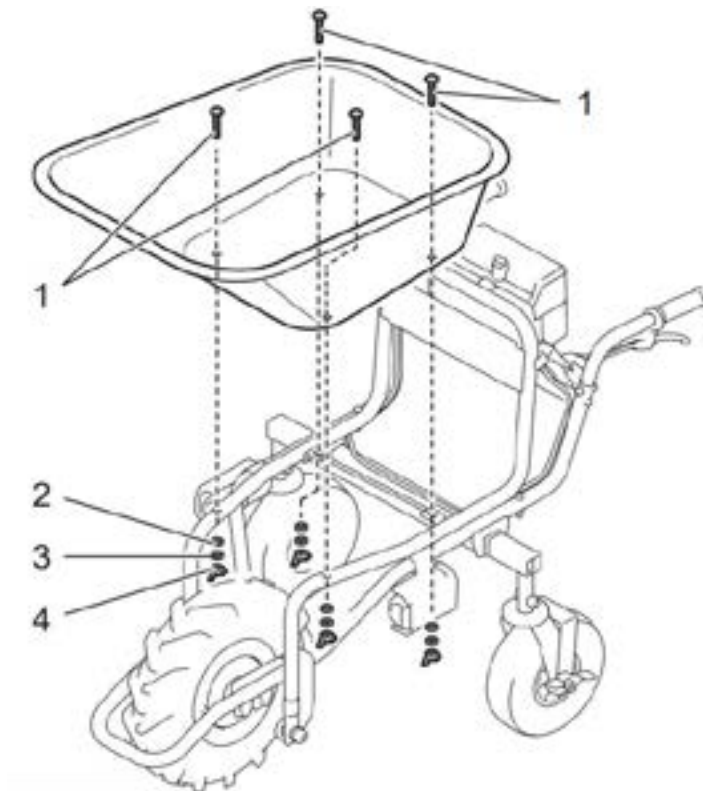
Products with multiple versions are listed in subsiding order with the newest version on top not indented.

Section	Fig. No.	Part No.	Description	XUC01	XUC01X1	XUC01X2	Tech Bulletin	Notes
4	A08	199116-7	FLATBED PIPE FRAME					
4	A09	251541-1	THUMB SCREWS					
4	A10	144675-6	FOOT CPL.					
4	1	266358-9	SQUARE NUT BOLT					
4	2	941201-0	F. WASHER 8					
4	3	942201-3	SPRING WASHER 8					
4	4	934401-9	WING NUT M8					

A11



A12



Products with multiple versions are listed in subsiding order with the newest version on top not indented.

Section	Fig. No.	Part No.	Description	XUC01	XUC01X1	XUC01X2	Tech Bulletin	Notes
5	A11	198494-2	BUCKET TRAY		1			
5	A12	144675-6	FOOT CPL.		2			
5	1	266358-9	SQUARE NUT BOLT		4			
5	2	941201-0	F. WASHER 8		4			
5	3	942201-3	SPRING WASHER 8		4			
5	4	934401-9	WING NUT M8		4			