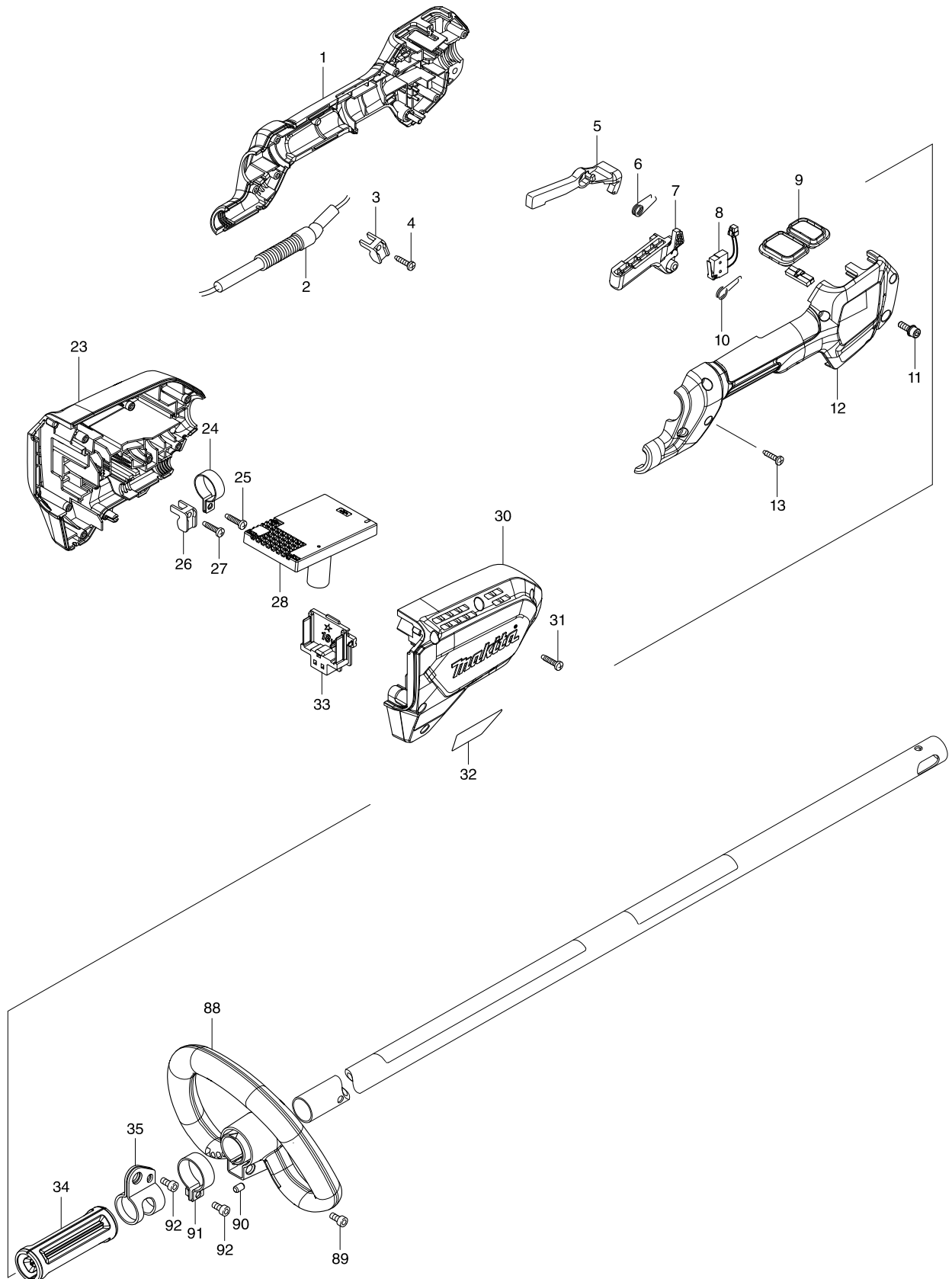


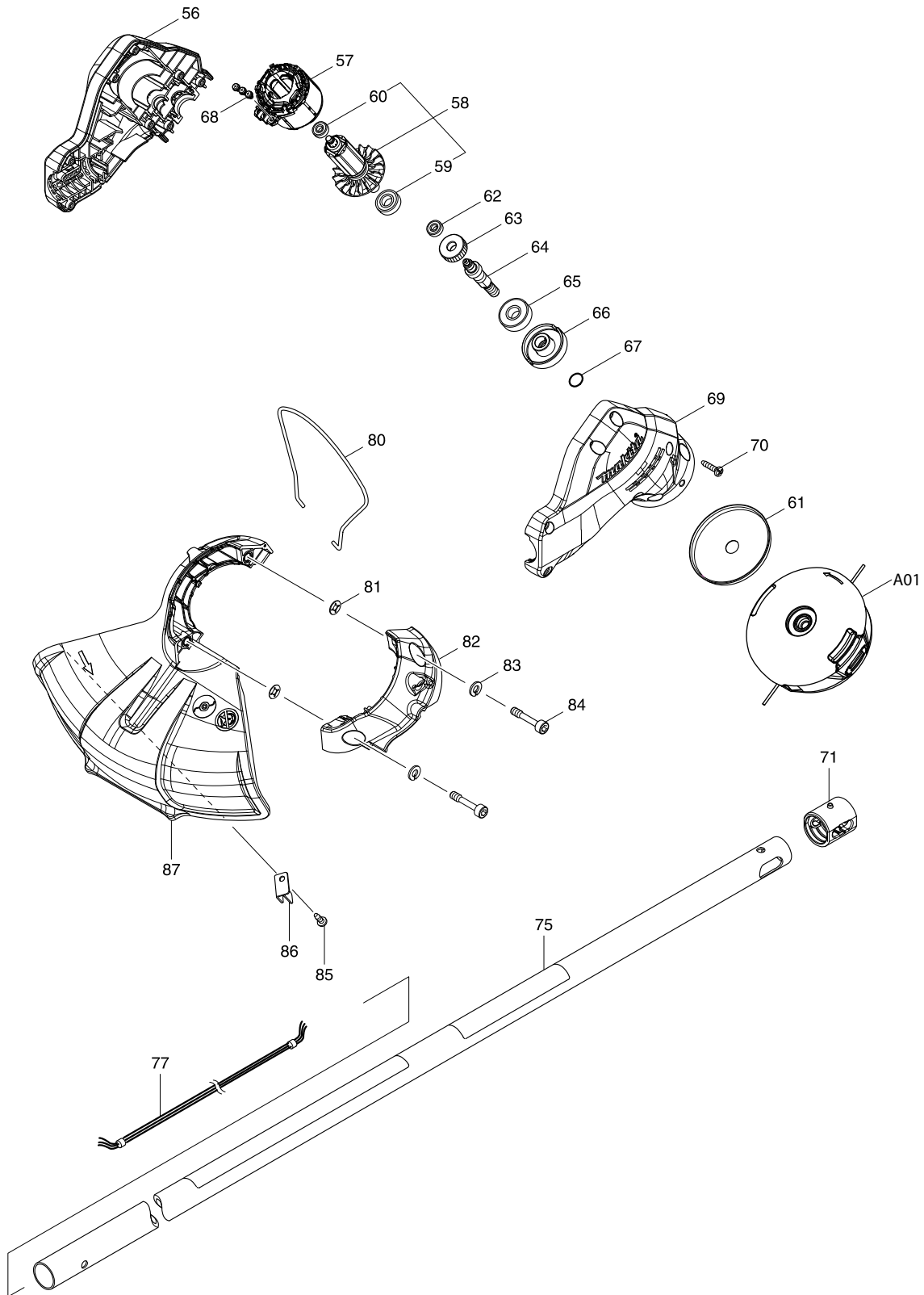


**XRU11**



Products with multiple versions are listed in subsiding order with the newest version on top not indented.

Section	Fig. No.	Part No.	Description	XRU11	Tech Bulletin	Notes
1	1	183A19-1	GRIP SET	1		INC. 12, 931202-6
1		931202-6	HEX. NUT M5	1		not pictured
1	2	699085-7	POWER SUPPLY CORD UNIT	1		
1	3	687260-7	STRAIN RELIEF	1		
1	4	266326-2	TAPPING SCREW 4X18	1		
1	5	455629-1	LOCK OFF LEVER	1		
1	6	233621-5	TORSION SPRING 9	1		
1	7	455625-9	SWITCH LEVER	1		
1	8	632E26-0	SWITCH UNIT	1		
1	9	144371-6	SUB CONTROLLER COMPLETE	1		
1	10	233612-6	TORSION SPRING 10	1		
1	11	922228-9	H.S.H.BOLT M5X18 WITH WR	1		
1	12	183A19-1	GRIP SET	1		INC. 1, 931202-6
1		931202-6	HEX. NUT M5	1		not pictured
1	13	266326-2	TAPPING SCREW 4X18	6		
1	23	183F35-3	HOUSING SET	1		INC. 30, 263005-3
1		263005-3	RUBBER PIN 6	2		
1	24	346248-3	CLAMP 24	1		
1	25	266326-2	TAPPING SCREW 4X18	1		
1	26	687260-7	STRAIN RELIEF	1		
1	27	266326-2	TAPPING SCREW 4X18	1		
1	28	620642-0	CONTROLLER	1		
1	30	183F35-3	HOUSING SET	1		INC. 23, 263005-3
1		263005-3	RUBBER PIN 6	2		
1	31	266326-2	TAPPING SCREW 4X18	6		
1	32	852X85-4	XRU11 NAME PLATE	1		
1	33	644809-6	TERMINAL	1		
1	34	451601-1	SPACER 24	1		
1	35	347116-3	HANGER	1		
1	88	456675-7	LOOP HANDLE 24	1		
1	89	922212-4	HEX. SOCKET HEAD BOLT M5X12	1		
1	90	263005-3	RUBBER PIN 6	1		
1	91	347011-7	PIPE CLAMP 29	1		
1	92	922212-4	HEX. SOCKET HEAD BOLT M5X12	2		



Products with multiple versions are listed in subsiding order with the newest version on top not indented.

Section	Fig. No.	Part No.	Description	XRU11	Tech Bulletin	Notes
2	56	183F18-3	MOTOR HOUSING SET	1		INC. 69
2	57	629248-1	STATOR	1		
2	58	519429-4	ROTOR ASS'Y	1		INC. 59, 60
2	59	210049-4	BALL BEARING 609ZZ	1		
2	60	211157-4	BALL BEARING 695ZZ	1		
2	61	346857-8	GUARD	1		
2	62	211157-4	BALL BEARING 695ZZ	1		
2	63	221492-2	HELICAL GEAR 26	1		
2	64	326924-5	CUTTER SHAFT	1		
2	65	210059-1	BALL BEARING 6000DDW	1		
2	66	144512-4	RECEIVE WASHER COMPLETE	1		INC. 67
2	67	213055-8	O RING 10	1		
2	68	652069-6	FLAT HEAD SCREW M3X6	3		
2	69	183F18-3	MOTOR HOUSING SET	1		INC. 56
2	70	266326-2	TAPPING SCREW 4X18	8		
2	71	424567-8	RUBBER SLEEVE 24	1		
2	75	144412-8	PIPE COMPLETE B	1		
2	77	699090-4	POWER SUPPLY CORD UNIT	1		
2	80	326348-5	WIRE GUARD	1		
2	81	413143-3	WASHER	2		
2	82	454641-8	PROTECTOR HOLDER	1		
2	83	942151-2	SPRING WASHER 6	2		
2	84	266579-3	HEX SOCKET HEAD BOLT M6X30	2		
2	85	266427-6	TAPPING SCREW 4X12	1		
2	86	346725-5	CUTTER	1		
2	87	457324-9	PROTECTOR	1		
2	A01	198386-5	CUTTER ASSEMBLY 95-M&L SET	1		
2	A02	125516-5	BAND ASSEMBLY	1		not pictured