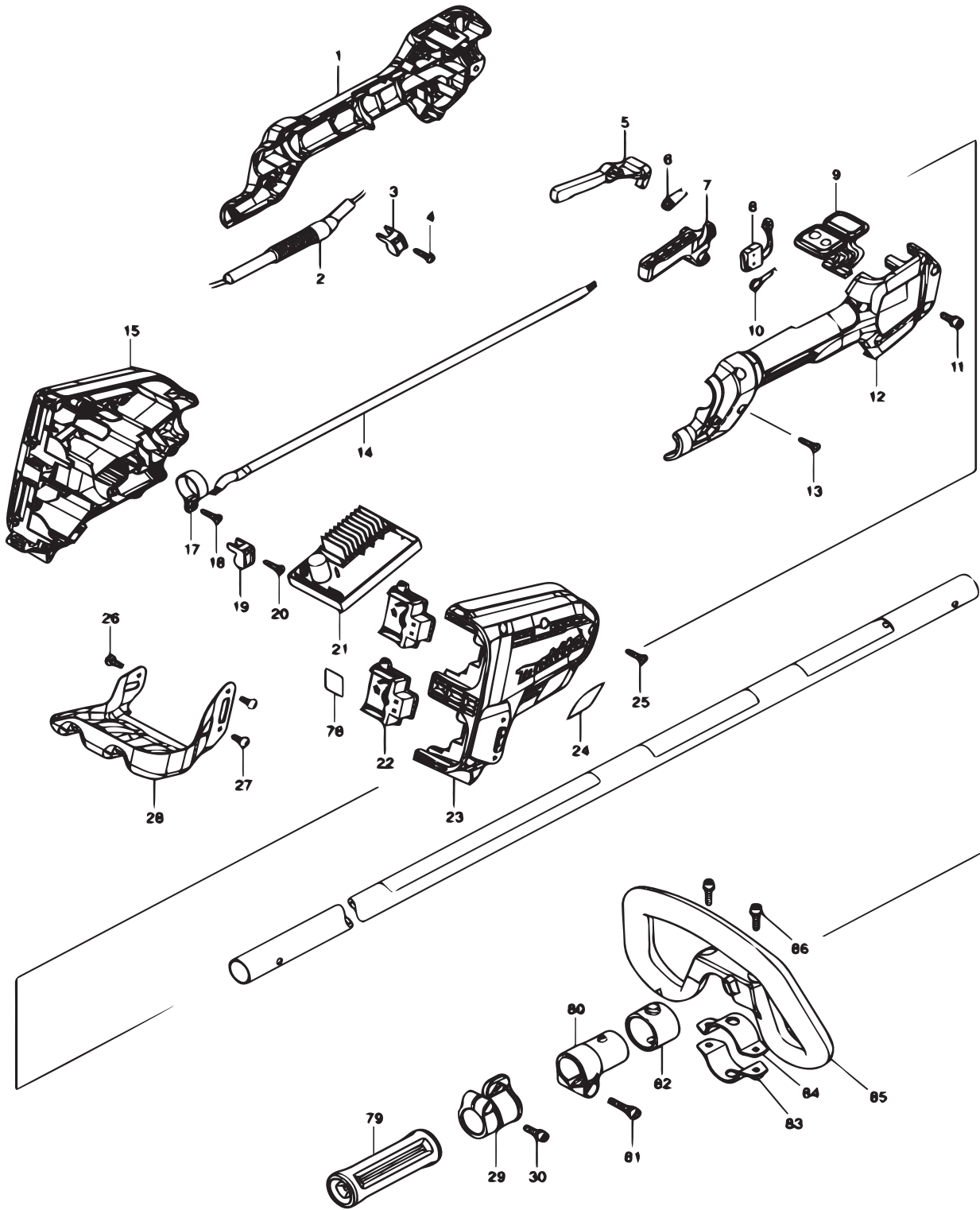




XRU15

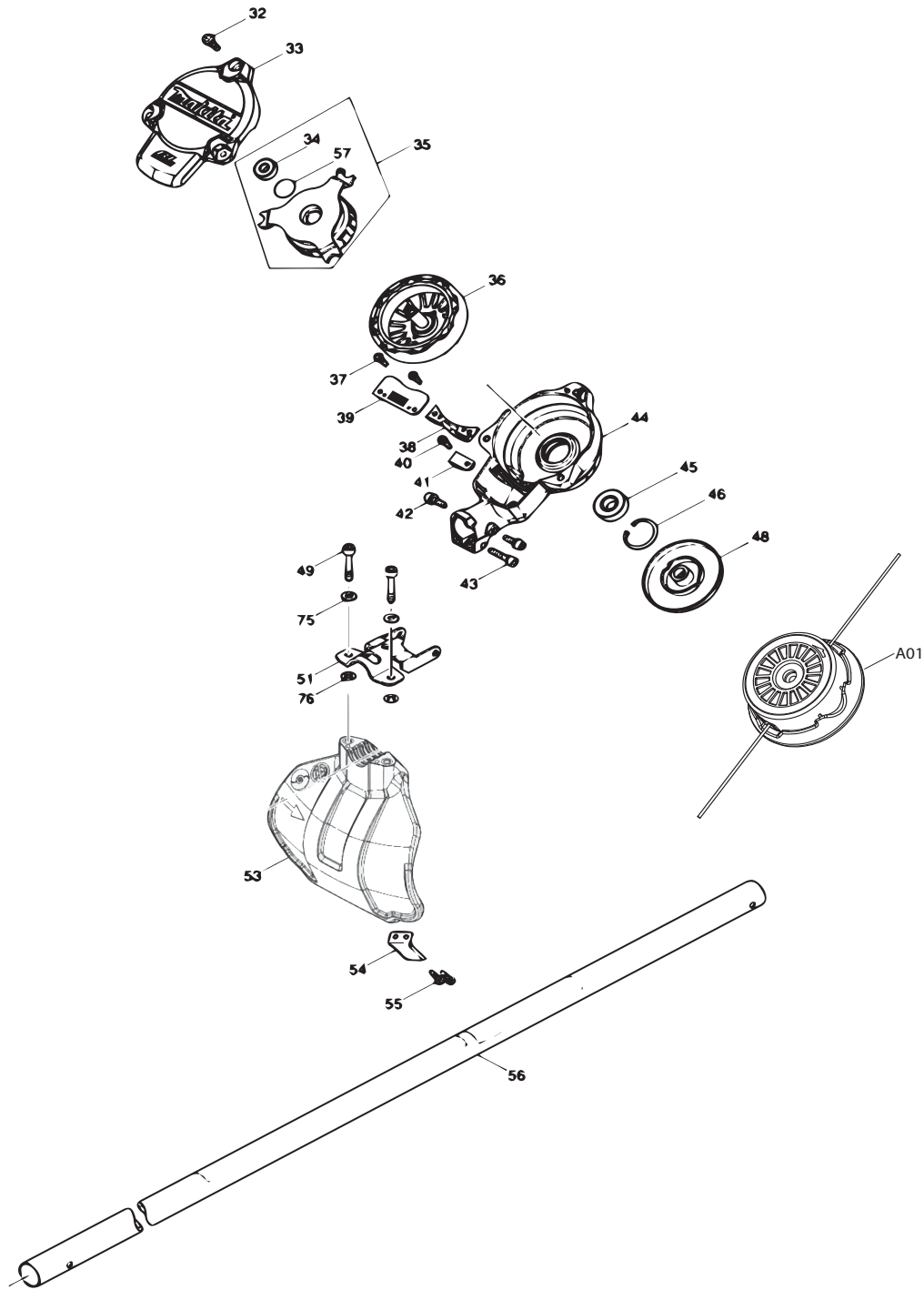


Products with multiple versions are listed in subsiding order with the newest version on top not indented.

Section	Fig. No.	Part No.	Description	XRU15	Tech Bulletin	Notes
1	1	183A19-1	GRIP SET	1		INC. 12
1	2	699119-6	POWER SUPPLY CORD UNIT	1		
1	3	687260-7	STRAIN RELIEF	1		
1	4	266326-2	TAPPING SCREW 4X18	1		
1	5	455629-1	LOCK OFF LEVER	1		
1	6	233621-5	TORSION SPRING 9	1		
1	7	455625-9	SWITCH LEVER	1		
1	8	632E26-0	SWITCH UNIT	1		
1	9	140L82-3	SUB CONTROLLER COMPLETE US	1		
1		819N38-6	SWITCH LABEL	1		INC WIITH FIG 9
1	10	233612-6	TORSION SPRING 10	1		
1	11	922228-9	H.S.H.BOLT M5X18 WITH WR	1		
1	12	183A19-1	GRIP SET	1		INC. 1
1	13	266326-2	TAPPING SCREW 4X18	6		
1	14	699067-9	POWER SUPPLY CORD UNIT	1		
1	15	183L33-3	HOUSING SET	1		INC. 23
1		263005-3	RUBBER PIN 6	4		INC WITH FIG 15
1		252126-6	HEX LOCK NUT M4-7	3		INC WITH FIG 15
1	17	346248-3	CLAMP 24	1		
1	18	266326-2	TAPPING SCREW 4X18	1		
1	19	687260-7	STRAIN RELIEF	1		
1	20	266326-2	TAPPING SCREW 4X18	1		
1	21	620J63-6	CONTROLLER	1	DG044	
1	21	620B09-4	CONTROLLER	1		
1	22	644808-8	TERMINAL	2		
1	23	183L33-3	HOUSING SET	1		INC. 15
1		263005-3	RUBBER PIN 6	4		INC WITH FIG 23
1		252126-6	HEX LOCK NUT M4-7	3		INC WITH FIG 23
1	25	266326-2	TAPPING SCREW 4X18	7		
1	26	251314-2	SCREW M4X12	1		
1	27	251314-2	SCREW M4X12	2		
1	28	346858-6	BATTERY GUARD	1		
1	29	168478-4	HANGER	1		
1	30	922228-9	H.S.H.BOLT M5X18 WITH WR	1		
1	79	451601-1	SPACER 24	1		

Products with multiple versions are listed in subsiding order with the newest version on top not indented.

Section	Fig. No.	Part No.	Description	XRU15	Tech Bulletin	Notes
1	80	457269-1	PIPE HOLDER 24	1		
1	81	922244-1	H.S.H.BOLT M5X25 WITH WG	1		
1	82	424942-8	DAMPER	1		
1	83	347114-7	LOWER CLAMP 35	1		
1	84	347113-9	UPPER CLAMP 35	1		
1	85	457267-5	LOOP HANDLE	1		
1	86	922234-4	H.S.H.BOLT M5X20 WITH WG	2		



Products with multiple versions are listed in subsiding order with the newest version on top not indented.

Section	Fig. No.	Part No.	Description	XRU15	Tech Bulletin	Notes
2	32	911233-1	PAN HEAD SCREW M5X20	3		
2	33	455626-7	TOP COVER	1		
2	34	211021-9	BALL BEARING 607LLB	1		
2	34	210062-2	BALL BEARING 607ZZ	1		
2	35	592E25-3	STATOR ASS'Y	1	DG044	INC. 34,57
2	35	520135-6	STATOR ASS'Y	1	DA997	INC. 34,57
2	35	529146-8	STATOR ASS'Y	1	DC143	INC. 34,57
2	36	619462-7	ROTOR	1		
2	37	911128-8	P.H.SCREW M4X16 WITH WR	2		
2	38	455628-3	INNER COVER	1		
2	39	620J62-8	CONTROLLER B	1	DG044	
2	39	620E48-2	CONTROLLER B	1	D7793	
2	39	620562-8	CONTROLLER B	1		
2	40	911128-8	P.H.SCREW M4X16 WITH WR	1		
2	41	687042-7	STRAIN RELIEF	1		
2	42	922223-9	H.S.H.BOLT M5X16 WITH WR	2		
2	43	922241-7	HEX. SOCKET HEAD BOLT M5X25	1		
2	44	143039-1	MOTOR HOUSING COMPLETE	1		
2	45	211131-2	BALL BEARING 6001DDW	1		
2	46	962106-1	RETAINING RING R-28	1		
2	48	140L84-9	RECEIVE WASHER COMPLETE	1		
2	49	266579-3	HEX SOCKET HEAD BOLT M6X30	2		
2	51	346073-2	PROTECTOR CLAMP	1		
2	53	459504-3	PROTECTOR N 380	1		
2	54	346855-2	CUTTER	1		
2	55	266326-2	TAPPING SCREW 4X18	2		
2	56	143856-9	PIPE COMPLETE L	1		
2	57	213325-5	O RING 19	1		
2	75	253428-3	SPRING WASHER 6	2		
2	76	413143-3	WASHER	2		
2	A01	191R00-0	TRIMMER HEAD	1		
2	A02	125516-5	BAND ASSEMBLY	1		NOT PICTURED
2	A06	783202-0	HEX. WRENCH 4	1		NOT PICTURED
2	A08	783217-7	HEX. WRENCH 5	1		NOT PICTURED