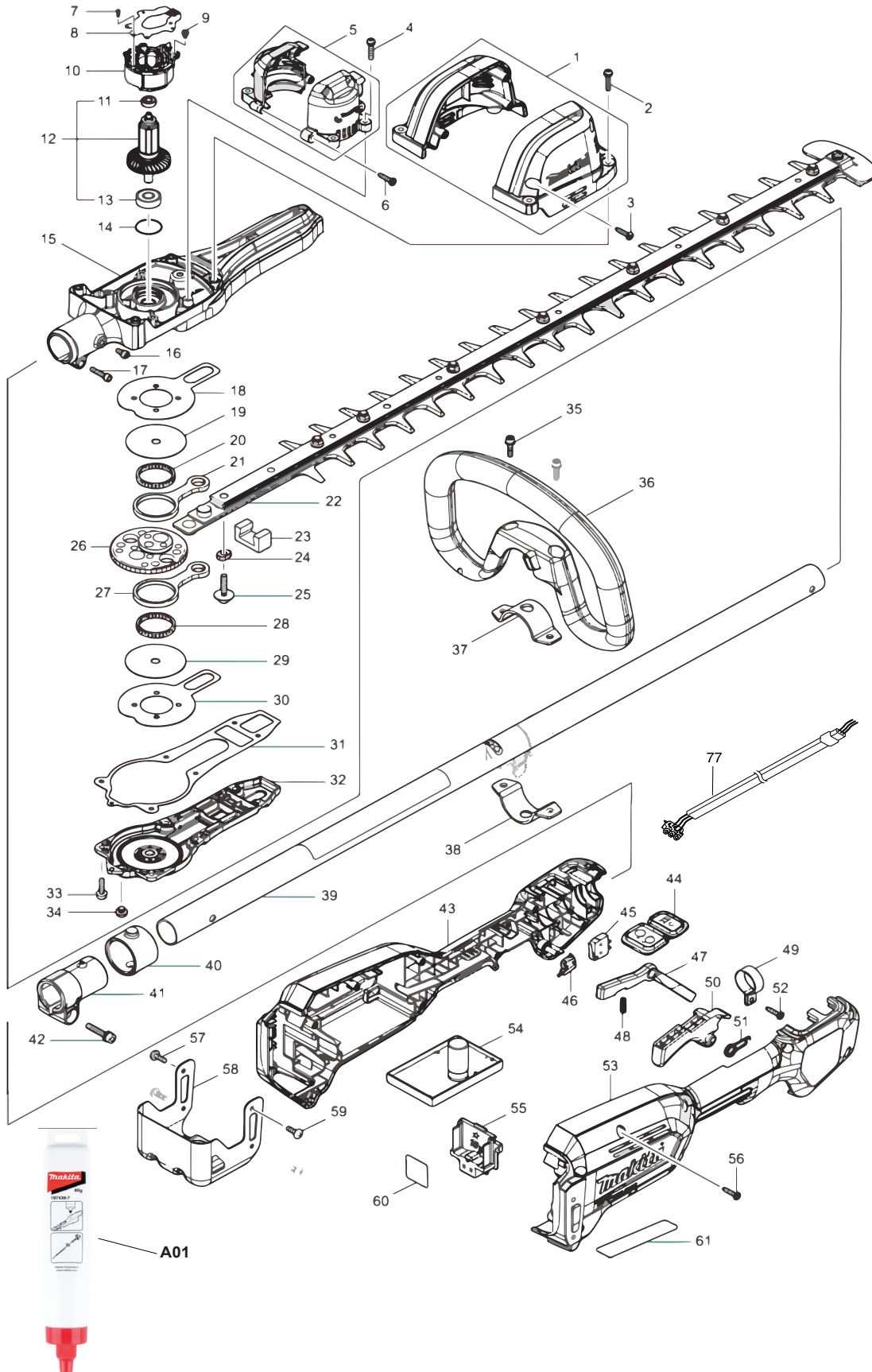




XNU02



Products with multiple versions are listed in subsiding order with the newest version on top not indented.

Section	Fig. No.	Part No.	Description	XNU02	Tech Bulletin	Notes
1	1	183N84-8	HOUSING SET	1		
1	2	911138-5	P.H.SCREW M4X20 WITH WR	4		
1	3	266326-2	TAPPING SCREW 4X18	3		
1	4	911138-5	P.H.SCREW M4X20 WITH WR	4		
1	5	183N83-0	MOTOR HOUSING SET	1		
1	6	266326-2	TAPPING SCREW 4X18	4		
1	7	266490-9	TAPPING SCREW PT 2X6	3		
1	8	620B02-8	CONTROLLER B	1		
1	9	652069-6	FLAT HEAD SCREW M3X6	3		
1	10	629352-6	STATOR	1		
1	11	211157-4	BALL BEARING 695ZZ	1		
1	12	519598-1	ROTOR ASSY	1		INC. 11,13
1	13	210005-4	BALL BEARING 608DDW	1		
1	14	213961-7	O RING 22	1		
1	15	140R16-2	GEAR HOUSING COMPLETE	1		
1	16	922211-6	H.S.H.BOLT M5X12 WITH W	1		
1	17	922241-7	HEX. SOCKET HEAD BOLT M5X25	1		
1	18	347361-0	FRICTION PLATE	1		
1	19	347661-8	PLATE	1		
1	20	212229-8	NEEDLE CAGE 315	1		
1	21	347662-6	CONNECTING ROD	1		
1	22	191F60-0	SHEAR BLADE 600S SET	1		INC. 24
1	23	443159-4	SEAL	1		
1	24	257439-0	SLEEVE 5	2		
1	25	265A89-3	H.S.H.BOLT M5X25 WITH WR	2		
1	26	226958-7	HELICAL GEAR 68	1		
1	27	347662-6	CONNECTING ROD	1		
1	28	212229-8	NEEDLE CAGE 315	1		
1	29	347661-8	PLATE	1		
1	30	347361-0	FRICTION PLATE	1		
1	31	422568-0	GEAR HOUSING GASKET	1		
1	32	319949-6	GEAR HOUSING COVER	1		
1	33	922128-3	HEX. SOCKET HEAD BOLT M4X16	6		
1	34	266559-9	H.S.BUTTON HEAD BOLT M6X4	1		
1	35	922233-6	H.S.H.BOLT M5X20 WITH WR	2		

Products with multiple versions are listed in subsiding order with the newest version on top not indented.

Section	Fig. No.	Part No.	Description	XNU02	Tech Bulletin	Notes
1	36	457772-2	LOOP HANDLE	1		
1	37	347113-9	UPPER CLAMP 35	1		
1	38	347114-7	LOWER CLAMP 35	1		
1	39	140R18-8	PIPE 24 COMPLETE	1		
1	40	424942-8	DAMPER	1		
1	41	457269-1	PIPE HOLDER 24	1		
1	42	922244-1	H.S.H.BOLT M5X25 WITH WG	1		
1	43	183N92-9	GRIP HOUSING SET	1		INC. 53
1	44	140R24-3	SUB CONTROLLER COMPLETE	1		
1	45	632E26-0	SWITCH UNIT	1		
1	46	632L49-0	SWITCH UNIT	1		
1	47	457773-0	LOCK OFF LEVER	1		
1	48	233101-1	COMPRESSION SPRING 4	1		
1	49	346248-3	CLAMP 24	1		
1	50	412285-0	SWITCH LEVER	1		
1	51	233612-6	TORSION SPRING 10	1		
1	52	266326-2	TAPPING SCREW 4X18	1		
1	53	183N92-9	GRIP HOUSING SET	1		INC. 43
1	54	620C74-9	CONTROLLER	1		
1	55	644809-6	TERMINAL	1		
1	56	266326-2	TAPPING SCREW 4X18	9		
1	57	251314-2	+ SCREW M4X12	2		
1	58	347655-3	BATTERY GUARD	1		
1	59	251314-2	+ SCREW M4X12	2		
1	77	632P79-7	POWER SUPPLY CABLE	1		
1	A01	197439-7	GEAR GREASE	1		
1	A02	459121-9	BLADE COVER 600S	1		NOT PICTURED