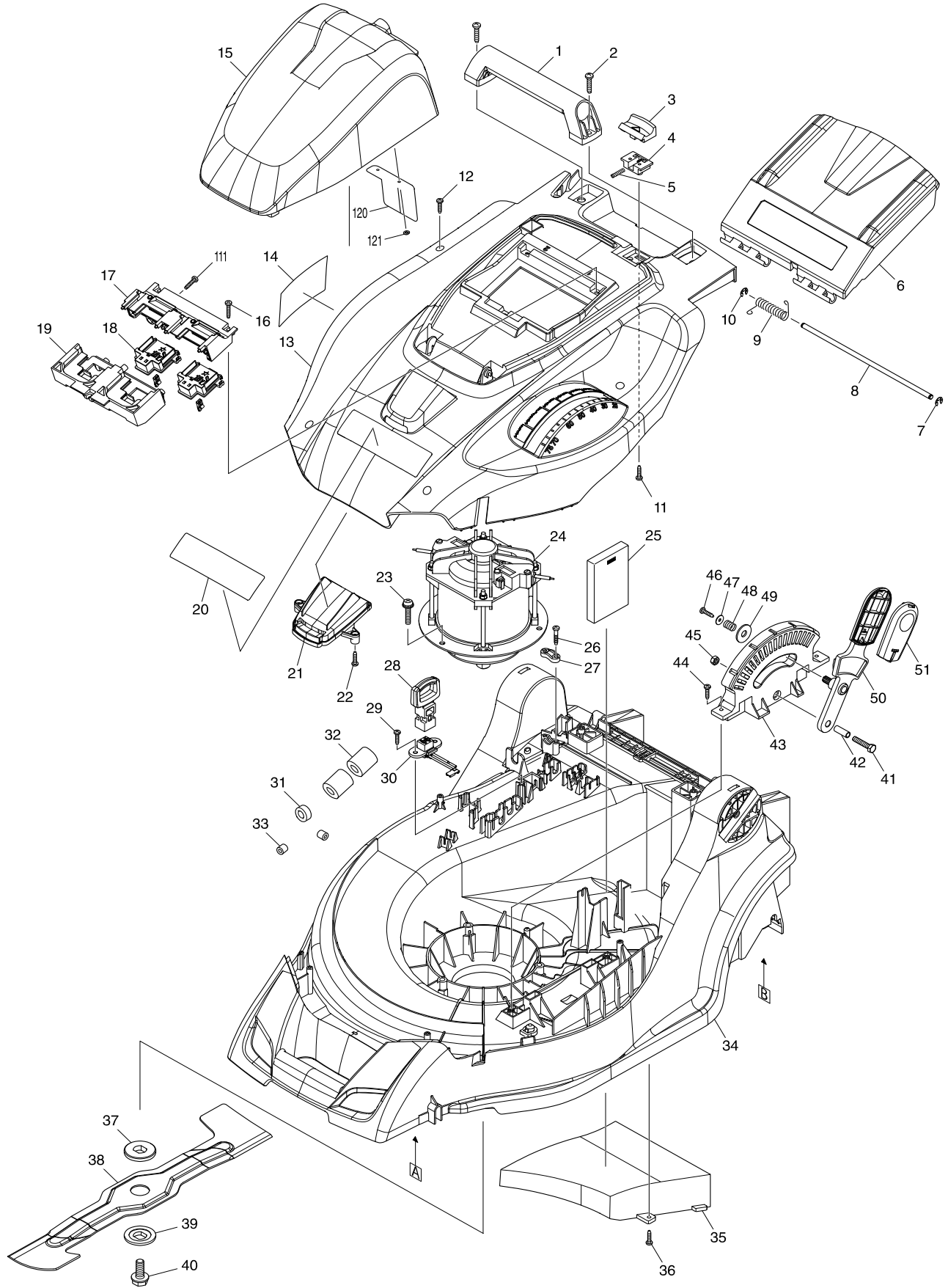




XML02

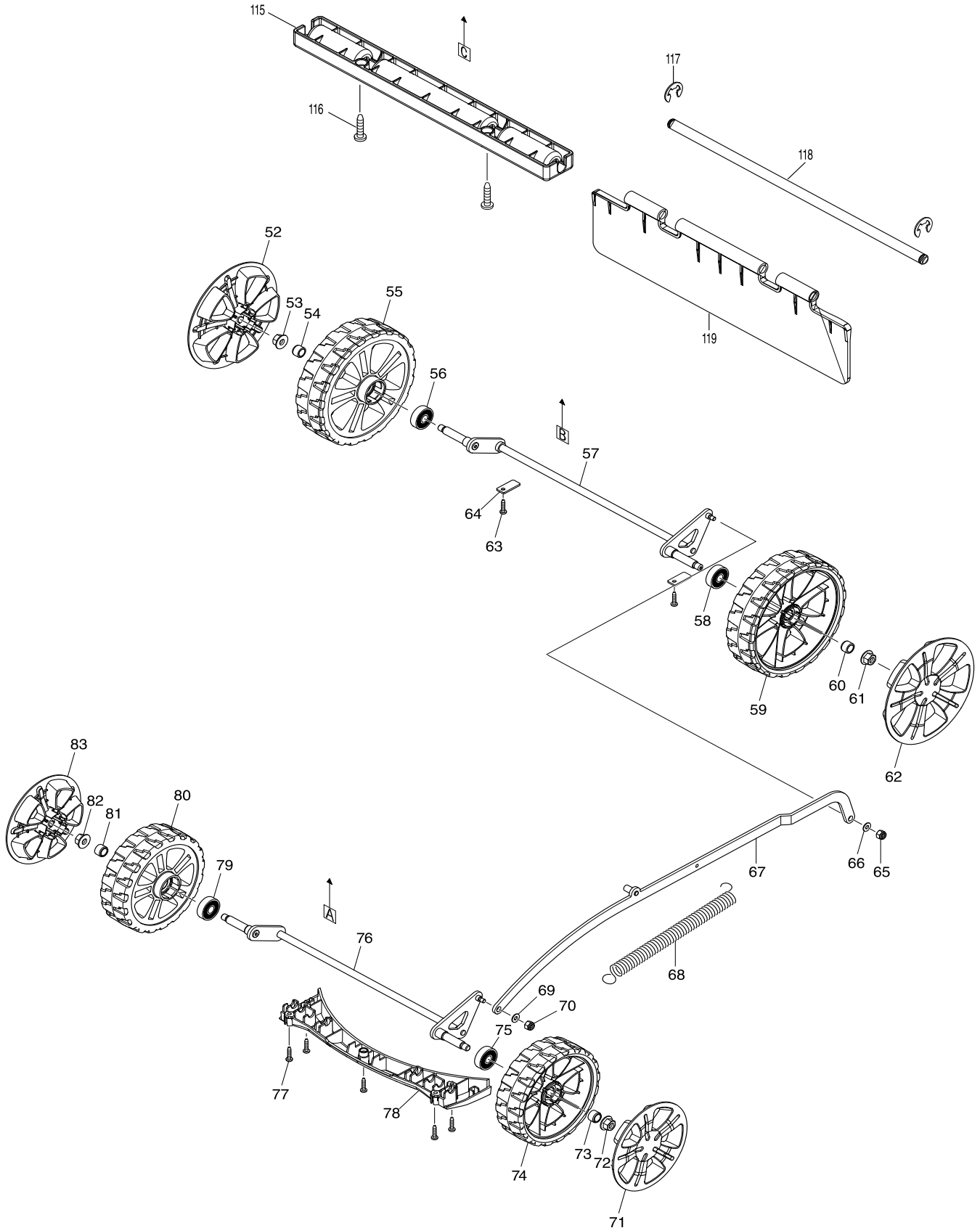


Products with multiple versions are listed in subsiding order with the newest version on top not indented.

Section	Fig. No.	Part No.	Description	XML02	Tech Bulletin	Notes
1	1	273675-0	GRIP A	1		
1	2	266459-3	TAPPING SCREW 5X25	2		
1	3	453250-0	LOCK LEVER	1		
1	4	453251-8	LOCK LEVER SUPPORT	1		
1	5	233173-6	COMPRESSION SPRING 4	1		
1	6	144077-6	REAR FLAP COMPLETE	1		
1	6	141301-8	REAR FLAP COMPLETE	1		
1	7	961018-5	STOP RING E-5	1		
1	8	256871-5	ROD 6	1		
1	9	233597-6	TORSION SPRING 8	1		
1	10	961018-5	STOP RING E-5	1		
1	11	266326-2	TAPPING SCREW 4X18	2		
1	12	266326-2	TAPPING SCREW 4X18	4		
1	13	143538-3	COWLING MA	1		
1	15	143535-9	BATTERY COVER COMPLETE A	1		Includes 120 and 121
1	16	266326-2	TAPPING SCREW 4X18	3		
1	17	187926-4	TERMINAL HOUSING SET	1		Includes 263005-3
1		263005-3	RUBBER PIN 6	4		Not pictured
1	18	644808-8	TERMINAL	2		
1	19	187926-4	TERMINAL HOUSING SET	1		Includes 263005-3
1		263005-3	RUBBER PIN 6	4		Not pictured
1	21	453258-4	COWLING COVER	1		
1	22	266326-2	TAPPING SCREW 4X18	2		
1	23	266774-5	+ PAN HEAD SCREW M6X30 WITH WR	3		
1	24	629177-8	DC MOTOR	1		
1	25	620479-5	CONTROLLER	1		
1	26	265999-8	TAPPING SCREW 4X25	2		
1	27	687149-9	STRAIN RELIEF	1		
1	28	643890-4	KEY	1		
1	29	266326-2	TAPPING SCREW 4X18	2		
1	30	632F82-6	LEAD UNIT	1		
1	34	456346-6	DECK	1		
1	35	453239-8	UNDER COVER	1		
1	36	266326-2	TAPPING SCREW 4X18	3		

Products with multiple versions are listed in subsiding order with the newest version on top not indented.

Section	Fig. No.	Part No.	Description	XML02	Tech Bulletin	Notes
1	37	224444-2	INNER FLANGE 40	1		
1	38	197761-2	BLADE 430 SET	1		
1	38	196061-7	BLADE 430 SET	1		
1	39	224445-0	OUTER FLANGE 40	1		
1	40	266731-3	HEX. BOLT M10X25	1		
1	41	921352-5	HEX. BOLT M6X30	1		
1	42	257670-8	SLEEVE 6	1		
1	43	453255-0	ADJUST PLATE	1		
1	44	266326-2	TAPPING SCREW 4X18	2		
1	45	931302-2	HEX. NUT M6	1		
1	46	266326-2	TAPPING SCREW 4X18	1		
1	47	267102-7	FLAT WASHER 4	1		
1	48	231297-2	COMPRESSION SPRING 9	1		
1	49	253808-3	FLAT WASHER 9	1		
1	50	453252-6	CHANGE LEVER	1		
1	51	453253-4	CHANGE LEVER COVER	1		
1	120	424824-4	RUBBER SHEET	1		
1	121	259015-6	STOP RING CS-3	2		

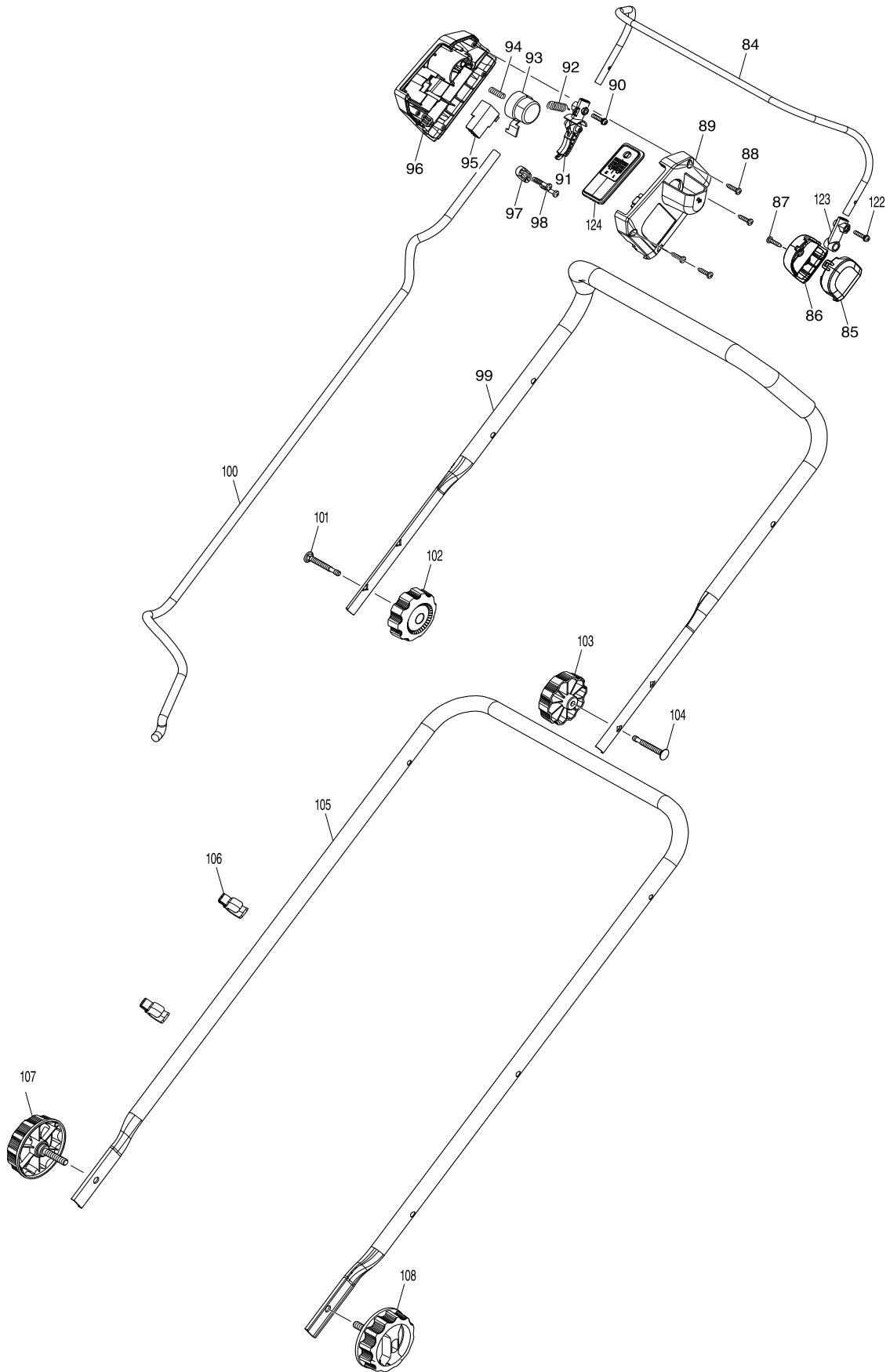


Products with multiple versions are listed in subsiding order with the newest version on top not indented.

Section	Fig. No.	Part No.	Description	XML02	Tech Bulletin	Notes
2	52	453241-1	REAR WHEEL CAP	1		
2	53	252145-2	COLLARED HEX NUT M8	1		
2	54	214067-4	PLANE BEARING 10	1		
2	55	453243-7	REAR WHEEL	1		
2	56	211066-7	BALL BEARING 6200ZZ	1		
2	56	210070-3	BALL BEARING 6200ZZ	1		
2	57	165669-8	REAR SHAFT	1		
2	58	211066-7	BALL BEARING 6200ZZ	1		
2	58	210070-3	BALL BEARING 6200ZZ	1		
2	59	453243-7	REAR WHEEL	1		
2	60	214067-4	PLANE BEARING 10	1		
2	61	252145-2	COLLARED HEX NUT M8	1		
2	62	453241-1	REAR WHEEL CAP	1		
2	63	266326-2	TAPPING SCREW 4X18	2		
2	64	346545-7	PLATE	2		
2	65	252103-8	HEX. LOCK NUT M5-8	1		
2	66	941101-4	FLAT WASHER 5	1		
2	67	346543-1	CONNECTING ROD	1		
2	68	231875-8	TENSION SPRING 16	1		
2	69	941101-4	FLAT WASHER 5	1		
2	70	252103-8	HEX. LOCK NUT M5-8	1		
2	71	453240-3	FRONT WHEEL CAP	1		
2	72	252145-2	COLLARED HEX NUT M8	1		
2	73	214067-4	PLANE BEARING 10	1		
2	74	453242-9	FRONT WHEEL	1		
2	75	211066-7	BALL BEARING 6200ZZ	1		
2	75	210070-3	BALL BEARING 6200ZZ	1		
2	76	165668-0	FRONT SHAFT	1		
2	77	266326-2	TAPPING SCREW 4X18	5		
2	78	456353-9	FRONT COVER	1		
2	79	211066-7	BALL BEARING 6200ZZ	1		
2	79	210070-3	BALL BEARING 6200ZZ	1		
2	80	453242-9	FRONT WHEEL	1		
2	81	214067-4	PLANE BEARING 10	1		

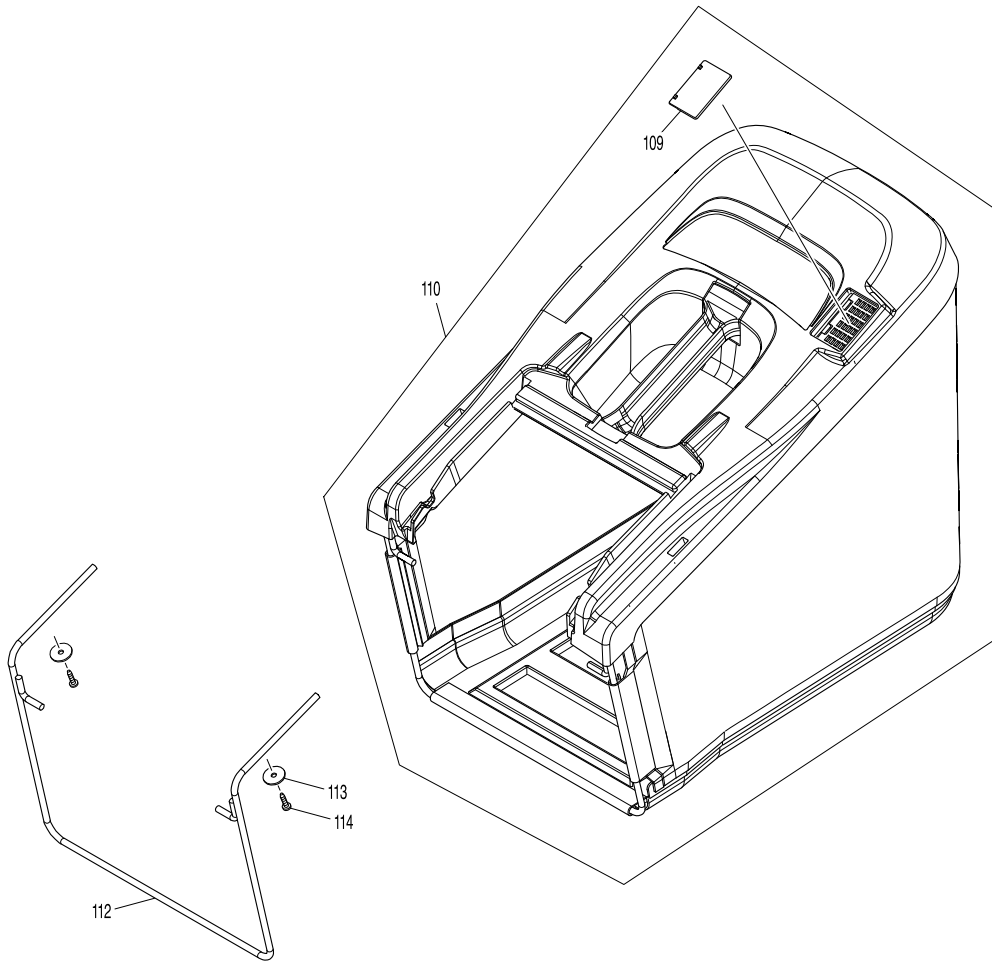
Products with multiple versions are listed in subsiding order with the newest version on top not indented.

Section	Fig. No.	Part No.	Description	XML02	Tech Bulletin	Notes
2	82	252145-2	COLLARED HEX NUT M8	1		
2	83	453240-3	FRONT WHEEL CAP	1		
2	115	453257-6	PROTECTIVE SHIELD HOLDER	1		
2	116	266326-2	TAPPING SCREW 4X18	2		
2	117	961013-5	STOP RING E-7	2		
2	118	256872-3	ROD 8	1		
2	119	424481-8	PROTECTIVE SHIELD	1		



Products with multiple versions are listed in subsiding order with the newest version on top not indented.

Section	Fig. No.	Part No.	Description	XML02	Tech Bulletin	Notes
3	84	326636-0	SWITCH LEVER	1		
3	85	456351-3	SWITCH LEVER CASE	1		
3	86	456352-1	SWITCH LEVER CASE COVER	1		
3	87	266326-2	TAPPING SCREW 4X18	1		
3	88	266326-2	TAPPING SCREW 4X18	4		
3	89	143508-2	SWITCH BOX COVER COMPLETE K	1		
3	90	911138-5	PAN HEAD SCREW M4X20	1		
3	91	455075-8	LEVER	1		
3	92	231876-6	TENSION SPRING 9	1		
3	93	455074-0	SWITCH BUTTON	1		
3	94	233068-3	COMPRESSION SPRING 6	1		
3	95	650730-9	SWITCH TG72BD-6	1		
3	96	456349-0	SWITCH BOX	1		
3	97	687149-9	STRAIN RELIEF	1		
3	98	265999-8	TAPPING SCREW 4X25	2		
3	99	143510-5	UPPER PIPE COMPLETE	1		
3	100	660330-7	POWER SUPPLY CORD	1		
3	101	265A14-4	CUP H. SQUARE NECK BOLT M6X50	1		
3	102	264070-5	THUMB NUT M6	1		
3	103	264070-5	THUMB NUT M6	1		
3	104	265A14-4	CUP H. SQUARE NECK BOLT M6X50	1		
3	105	326635-2	LOWER PIPE	1		
3	106	456354-7	HOLDER	2		
3	107	266729-0	THUMB SCREW M8X35	1		
3	108	266729-0	THUMB SCREW M8X35	1		
3	122	911138-5	PAN HEAD SCREW M4X20	1		
3	123	455078-2	ARM	1		
3	124	143505-8	LED CIRCUIT COMPLETE	1		



Products with multiple versions are listed in subsiding order with the newest version on top not indented.

Section	Fig. No.	Part No.	Description	XML02	Tech Bulletin	Notes
4	109	456355-5	INDICATOR M	1		
4	110	126621-1	REAR BAG ASS'Y MA	1		Includes #109
4	110	123526-6	REAR BAG ASS'Y MA	1		
4	111	266326-2	TAPPING SCREW 4X18	3		
4	112	326118-2	REAR BAG ROD	1		
4	113	267438-4	FLAT WASHER 5	2		
4	114	266326-2	TAPPING SCREW 4X18	2		
4	A01	782210-8	SOCKET WRENCH 17	1		Not pictured
4	E01	632D01-0	FUSE UNIT	1		Not pictured