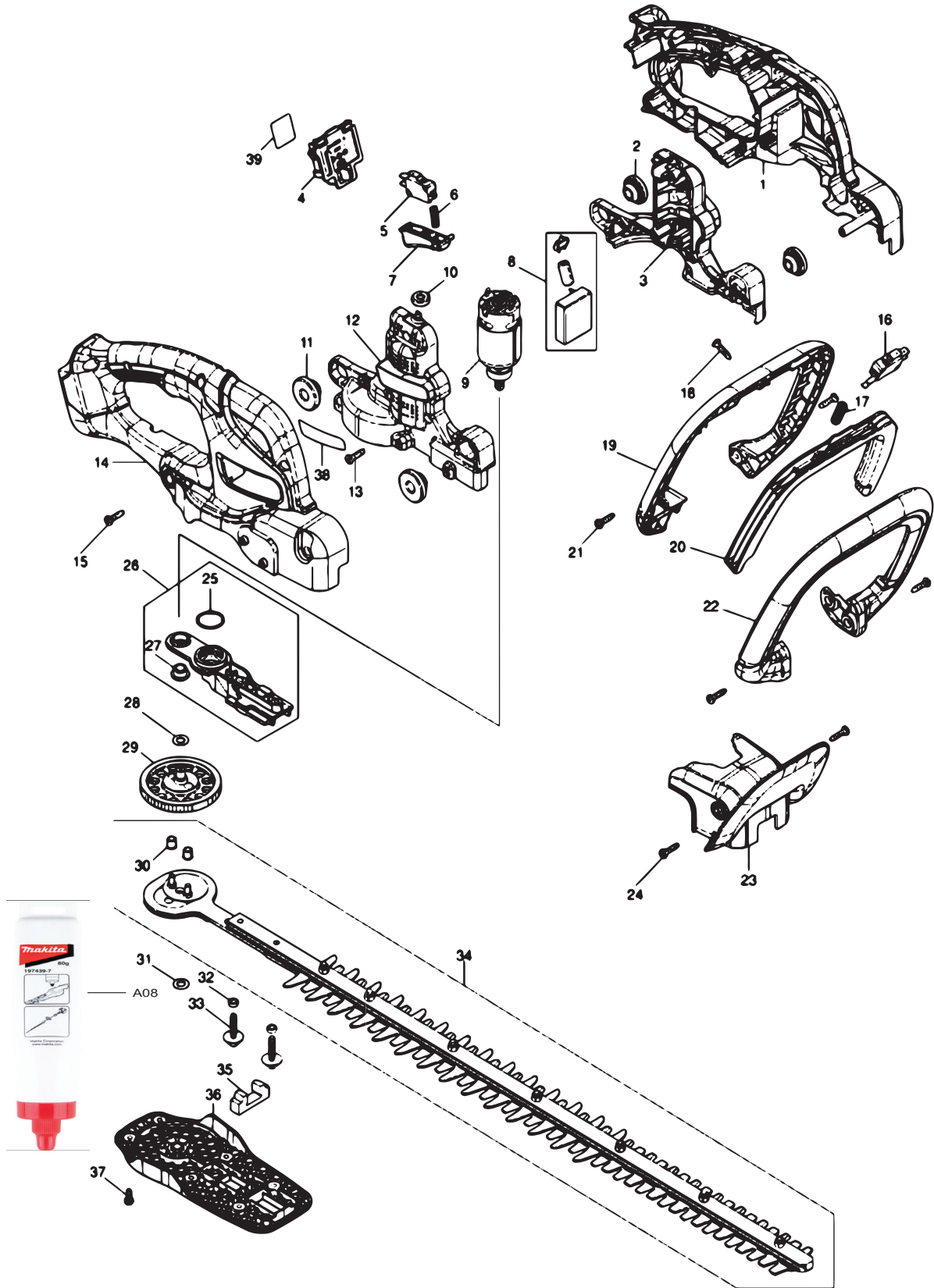




XHU10



Products with multiple versions are listed in subsiding order with the newest version on top not indented.

Section	Fig. No.	Part No.	Description	XHU10	Tech Bulletin	Notes
1	1	183Y37-3	HANDLE SET	1		INC. 14
1		263005-3	RUBBER PIN 6	2		W/1
1	2	424394-3	RUBBER RING 8	2		INC. 12
1	3	183X36-9	MOTOR HOUSING SET	1		
1		931102-0	HEX. NUT M4	6		W/3
1	4	644809-6	TERMINAL	1		
1	5	650036-5	SWITCH DMU-1212D-020	1		
1	6	231372-4	COMPRESSION SPRING 5	1		
1	7	413M81-7	SWITCH LEVER R	1		
1	8	620L02-8	CONTROLLER	1		
1	9	629B95-2	DC MOTOR	1		
1	10	424195-9	RUBBER RING 6	1		
1	11	424394-3	RUBBER RING 8	2		
1	12	183X36-9	MOTOR HOUSING SET	1		INC. 3
1		931102-0	HEX. NUT M4	6		W/12
1	13	266326-2	TAPPING SCREW 4X18	5		
1	14	183Y37-3	HANDLE SET	1		INC. 1
1		263005-3	RUBBER PIN 6	2		W/14
1	15	266326-2	TAPPING SCREW 4X18	6		
1	16	650037-3	SWITCH DMU-1212D-021	1		
1	17	231325-3	COMPRESSION SPRING 6	1		
1	18	266326-2	TAPPING SCREW 4X18	4		
1	19	413M89-1	FRONT GRIP COVER E	1		
1	20	413M90-6	SWITCH LEVER FE	1		
1	21	266326-2	TAPPING SCREW 4X18	4		
1	22	413M88-3	FRONT GRIP E	1		
1	23	413M82-5	PROTECTOR	1		
1	24	266326-2	TAPPING SCREW 4X18	2		
1	25	213961-7	O RING 22	1		
1	26	136928-7	BEARING HOUSING ASS'Y	1		INC. 25,27
1	27	214064-0	PLANE BEARING 8	1		
1	28	253215-0	FLAT WASHER 8	1		
1	29	136843-5	GEAR ASSEMBLY	1		
1	30	262570-9	NYLON SLEEVE 5	2		

Products with multiple versions are listed in subsiding order with the newest version on top not indented.

Section	Fig. No.	Part No.	Description	XHU10	Tech Bulletin	Notes
1	31	253215-0	FLAT WASHER 8	1		
1	32	257802-7	RING 5	2		
1	33	265A89-3	H.S.H.BOLT M5X25 WITH WR	2		
1	34	1911J2-4	SHEAR BLADE 600E SET	1		INC. 30
1	35	422904-0	DUST GUARD	1		
1	36	413M87-5	UNDER COVER	1		
1	37	911118-1	PAN HEAD SCREW M4X12	6		
1	A01	413L92-6	BLADE COVER 600	1		NOT PICTURED
1	A08	197439-7	GEAR CASE GREASE	1		