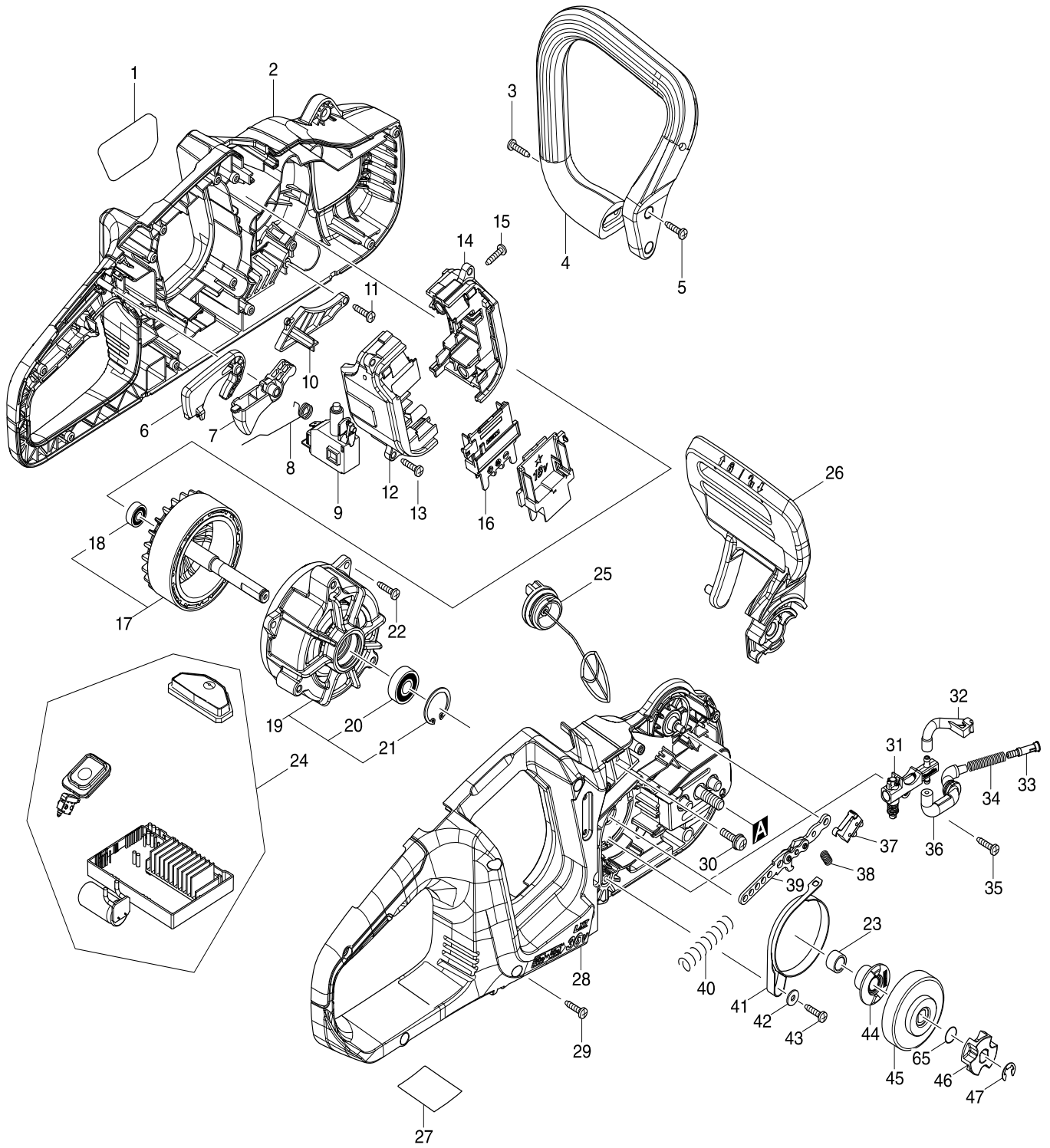




**XCU03**

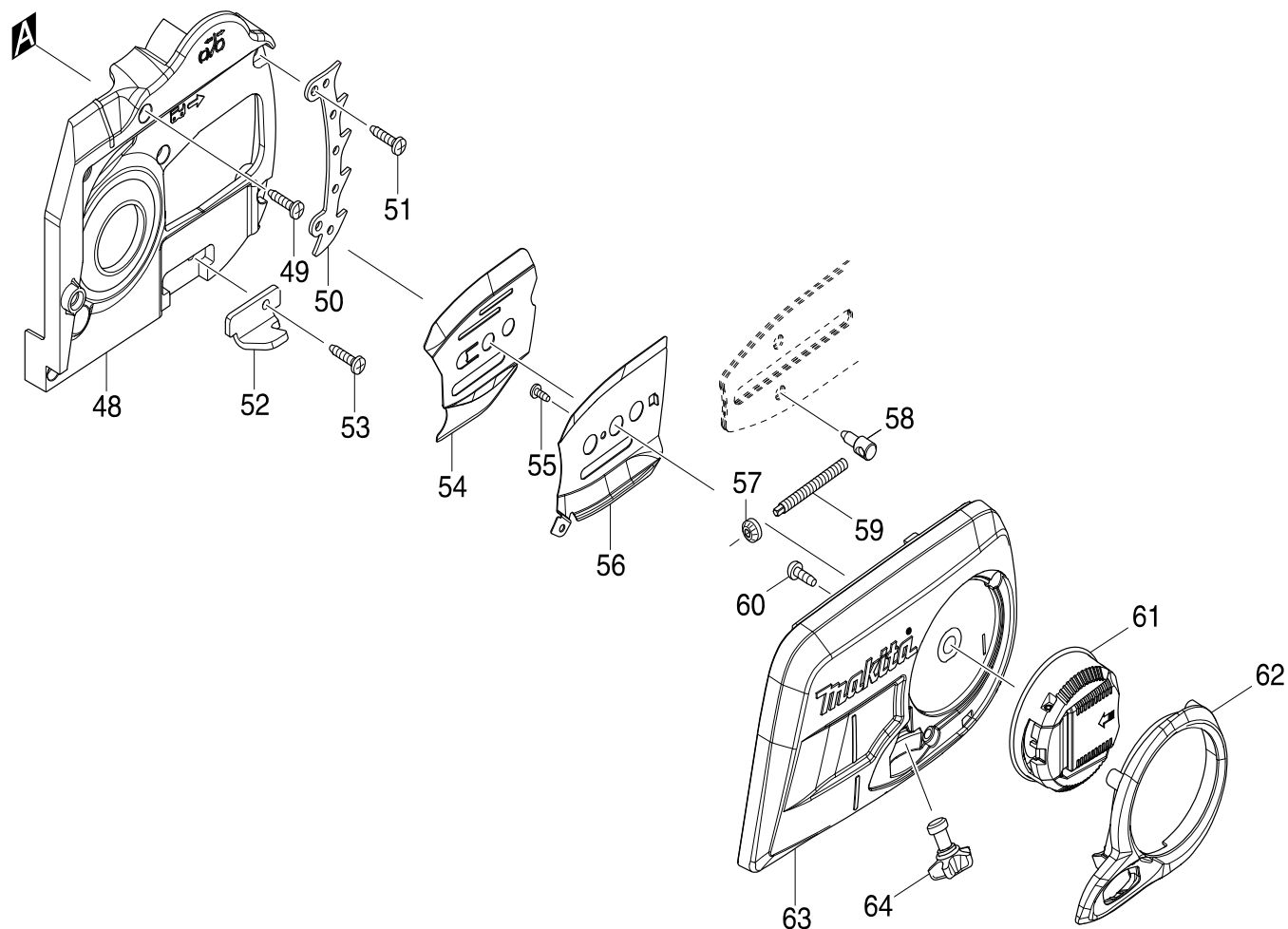


Products with multiple versions are listed in subsiding order with the newest version on top not indented.

| Section | Fig. No. | Part No. | Description               | XCU03 | Tech Bulletin | Notes      |
|---------|----------|----------|---------------------------|-------|---------------|------------|
| 1 2     |          | 183F24-8 | HOUSING SET               | 1     |               | INC 28     |
| 1 3     |          | 266326-2 | TAPPING SCREW 4X18        | 2     |               |            |
| 1 4     |          | 457007-1 | FRONT HANDLE              | 1     |               |            |
| 1 5     |          | 266326-2 | TAPPING SCREW 4X18        | 2     |               |            |
| 1 6     |          | 457013-6 | CATCH LEVER               | 1     |               |            |
| 1 7     |          | 457006-3 | SWITCH LEVER              | 1     |               |            |
| 1 8     |          | 232318-3 | TORSION SPRING 10         | 1     |               |            |
| 1 9     |          | 650781-2 | SWITCH C3JW-6B-P          | 1     |               |            |
| 1 10    |          | 457010-2 | HOUSING L COVER           | 1     |               |            |
| 1 11    |          | 266326-2 | TAPPING SCREW 4X18        | 1     |               |            |
| 1 12    |          | 183F15-9 | TERMINAL BOX SET          | 1     |               | INC 14     |
| 1 13    |          | 266326-2 | TAPPING SCREW 4X18        | 4     |               |            |
| 1 14    |          | 183F15-9 | TERMINAL BOX SET          | 1     |               | INC 12     |
| 1 15    |          | 266326-2 | TAPPING SCREW 4X18        | 2     |               |            |
| 1 16    |          | 643874-2 | TERMINAL                  | 2     |               |            |
| 1 17    |          | 519411-3 | ROTOR ASSY                | 1     |               | INC 18     |
| 1 18    |          | 211012-0 | BALL BEARING 606ZZ        | 1     |               |            |
| 1 18    |          | 210028-2 | BALL BEARING 606ZZ        | 1     |               |            |
| 1 19    |          | 592H45-5 | STATOR ASSY               | 1     |               | INC 20, 21 |
| 1 20    |          | 210059-1 | BALL BEARING 6000DDW      | 1     |               |            |
| 1 21    |          | 962105-3 | RETAINING RING R-26       | 1     |               |            |
| 1 22    |          | 266326-2 | TAPPING SCREW 4X18        | 3     |               |            |
| 1 23    |          | 257402-3 | SLEEVE 10                 | 1     |               |            |
| 1 24    |          | 144483-5 | CONTROLLER COMPLETE       | 1     |               |            |
| 1 25    |          | 168508-1 | TANK CAP COMPLETE         | 1     |               |            |
| 1 26    |          | 140A11-0 | FRONT HAND GUARD COMPLETE | 1     |               |            |
| 1 26    |          | 144234-6 | FRONT HAND GUARD COMPLETE | 1     |               |            |
| 1 28    |          | 183F24-8 | HOUSING SET               | 1     |               | INC 2      |
| 1 29    |          | 266326-2 | TAPPING SCREW 4X18        | 8     |               |            |
| 1 30    |          | 911233-1 | PAN HEAD SCREW M5X20      | 3     |               |            |
| 1 31    |          | 142156-4 | OIL PUMP COMPLETE         | 1     |               |            |
| 1 32    |          | 424904-6 | CONNECTOR B               | 1     |               |            |
| 1 33    |          | 452666-6 | NIPPLE                    | 1     |               |            |
| 1 34    |          | 234207-8 | COMPRESSION SPRING 6      | 1     |               |            |
| 1 35    |          | 266326-2 | TAPPING SCREW 4X18        | 1     |               |            |

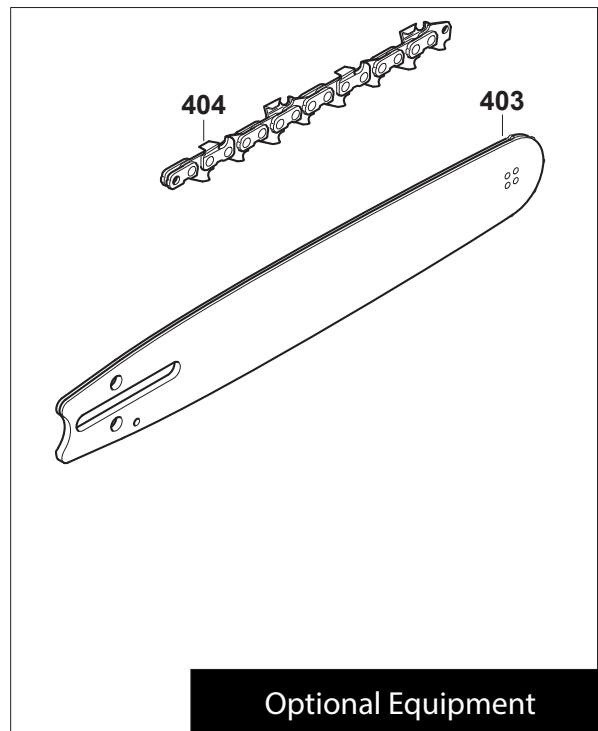
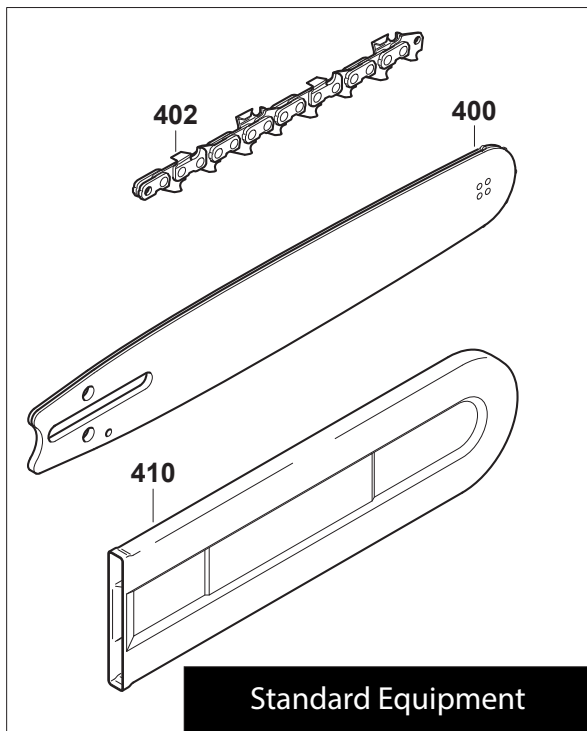
Products with multiple versions are listed in subsiding order with the newest version on top not indented.

| Section | Fig. No. | Part No. | Description          | XCU03 | Tech Bulletin | Notes                 |
|---------|----------|----------|----------------------|-------|---------------|-----------------------|
| 1       | 36       | 424903-8 | CONNECTOR A          | 1     |               |                       |
| 1       | 37       | 632H47-0 | SWITCH UNIT          | 1     |               |                       |
| 1       | 38       | 231298-0 | COMPRESSION SPRING 6 | 1     |               |                       |
| 1       | 39       | 163448-8 | LINKPLATE COMPLETE   | 1     |               |                       |
| 1       | 40       | 232319-1 | COMPRESSION SPRING 9 | 1     |               |                       |
| 1       | 41       | 345454-7 | BRAKE BAND           | 1     |               |                       |
| 1       | 42       | 267195-4 | FLAT WASHER 4        | 1     |               |                       |
| 1       | 43       | 266326-2 | TAPPING SCREW 4X18   | 1     |               |                       |
| 1       | 44       | 221427-3 | WORM GEAR            | 1     |               |                       |
| 1       | 45       | 161526-8 | BRAKE DRUM COMPLETE  | 1     |               |                       |
| 1       | 46       | 221464-7 | SPROCKET 6           | 1     |               | 3/8 PITCH (STANDARD)  |
| 1       | 46       | 198259-2 | SPROCKET 6           | 1     |               | 1/4 PITCH (ACCESSORY) |
| 1       | 47       | 961013-5 | STOP RING E-7        | 1     |               |                       |
| 1       | 65       | 266326-2 | O RING 10            | 4     |               |                       |



Products with multiple versions are listed in subsiding order with the newest version on top not indented.

| Section | Fig. No. | Part No. | Description            | XCU03 | Tech Bulletin | Notes |
|---------|----------|----------|------------------------|-------|---------------|-------|
| 2       | 48       | 457004-7 | HOUSING R COVER        | 1     |               |       |
| 2       | 49       | 266326-2 | TAPPING SCREW 4X18     | 4     |               |       |
| 2       | 50       | 347078-5 | SPIKE BUMPER           | 1     |               |       |
| 2       | 51       | 266326-2 | TAPPING SCREW 4X18     | 2     |               |       |
| 2       | 52       | 347079-3 | CHAIN CATCHER          | 1     |               |       |
| 2       | 53       | 266326-2 | TAPPING SCREW 4X18     | 1     |               |       |
| 2       | 54       | 346694-0 | GUIDE PLATE ES         | 1     |               |       |
| 2       | 55       | 266166-8 | TAPPING SCREW CT 3X8   | 1     |               |       |
| 2       | 56       | 346699-0 | GUIDE PLATE CS         | 1     |               |       |
| 2       | 57       | 227496-2 | STRAIGHT BEVEL GEAR 14 | 1     |               |       |
| 2       | 58       | 326310-0 | ADJUST PIN             | 1     |               |       |
| 2       | 59       | 326312-6 | ADJUST SCREW           | 1     |               |       |
| 2       | 60       | 266427-6 | TAPPING SCREW 4X12     | 3     |               |       |
| 2       | 61       | 142235-8 | NUT COMPLETE           | 1     |               |       |
| 2       | 62       | 454519-5 | NUT COVER              | 1     |               |       |
| 2       | 63       | 457000-5 | SPROCKET COVER         | 1     |               |       |
| 2       | 64       | 142288-7 | WHEEL COMPLETE         | 1     |               |       |



Products with multiple versions are listed in subsiding order with the newest version on top not indented.

| Section | Fig. No. | Part No.    | Description                | XCU03 | Tech Bulletin | Notes              |
|---------|----------|-------------|----------------------------|-------|---------------|--------------------|
| 3       | 400      | 165246-6    | GUIDE BAR, 14" 3/8 .043    | 1     |               | Standard Equipment |
| 3       | 402      | 196741-5    | SAW CHAIN SET 14" 3/8 .043 | 1     |               | Standard Equipment |
| 3       | 403      | 165245-8    | GUIDE BAR 12" 3/8 .043     | 1     |               |                    |
| 3       | 403      | 163150-3    | GUIDE BAR 12" 3/8 .050     | 1     |               |                    |
| 3       | 403      | 165201-8    | GUIDE BAR 14" 3/8 .050     | 1     |               |                    |
| 3       | 403      | 165247-4    | GUIDE BAR 16" 3/8 .043     | 1     |               |                    |
| 3       | 403      | 442-040-661 | GUIDE BAR 16" 3/8 .050     | 1     |               |                    |
| 3       | 404      | 531-291-646 | SAW CHAIN SET 12" 3/8 .043 | 1     |               |                    |
| 3       | 404      | 196519-6    | SAW CHAIN SET 12" 3/8 .050 | 1     |               |                    |
| 3       | 404      | 196207-5    | SAW CHAIN SET 14" 3/8 .050 | 1     |               |                    |
| 3       | 404      | 196742-3    | SAW CHAIN SET 16" 3/8 .043 | 1     |               |                    |
| 3       | 404      | 196208-3    | SAW CHAIN SET 16" 3/8 .050 | 1     |               |                    |
| 3       | 410      | 419242-9    | CHAIN PROTECTOR 14-16"     | 1     |               |                    |