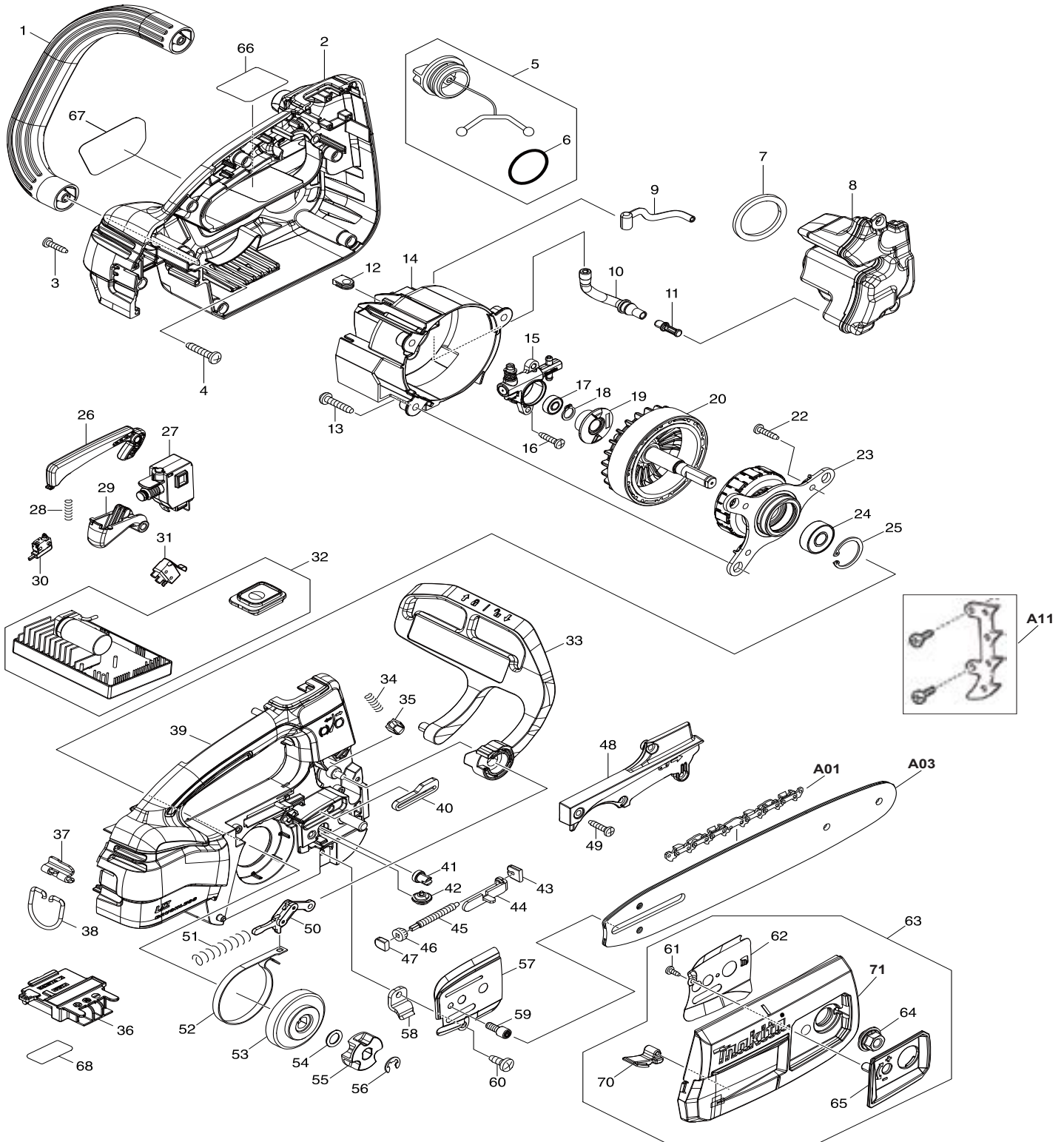




XCU06



Products with multiple versions are listed in subsiding order with the newest version on top not indented.

| Section | Fig. No. | Part No. | Description | XCU06 | Tech Bulletin | Notes |
|---------|----------|-------------|---------------------------|-------|---------------|---------|
| 1 | 1 | 458490-5 | SIDE HANDLE | 1 | | |
| 1 | 2 | 183J48-8 | HOUSING SET | 1 | | INC. 39 |
| 1 | 3 | 266326-2 | TAPPING SCREW 4X18 | 8 | | |
| 1 | 4 | 266041-8 | TAPPING SCREW 5X25 | 2 | | |
| 1 | 5 | 168508-1 | TANK CAP COMPLETE | 1 | | INC. 6 |
| 1 | 6 | 963-225-030 | O-RING 25 | 1 | | |
| 1 | 7 | 421959-2 | SPONGE SEAL | 1 | | |
| 1 | 8 | 140A75-4 | OIL TANK COMPLETE | 1 | | |
| 1 | 9 | 422271-3 | CONNECTOR A | 1 | | |
| 1 | 10 | 422272-1 | CONNECTOR B | 1 | | |
| 1 | 11 | 450437-5 | FILTER | 1 | | |
| 1 | 12 | 424612-9 | GROMMET | 1 | | |
| 1 | 13 | 266041-8 | TAPPING SCREW 5X25 | 3 | | |
| 1 | 14 | 458489-0 | MOTOR HOUSING | 1 | | |
| 1 | 15 | 142857-4 | OIL PUMP COMPLETE | 1 | | |
| 1 | 16 | 266326-2 | TAPPING SCREW 4X18 | 2 | | |
| 1 | 17 | 210026-6 | BALL BEARING 696ZZ | 1 | | |
| 1 | 18 | 961006-2 | RETAINING RING S-10 | 1 | | |
| 1 | 19 | 221428-1 | WORM GEAR | 1 | | |
| 1 | 20 | 619518-6 | ROTOR | 1 | | |
| 1 | 22 | 266326-2 | TAPPING SCREW 4X18 | 3 | | |
| 1 | 23 | 629378-8 | STATOR COMPLETE | 1 | | |
| 1 | 24 | 210059-1 | BALL BEARING 6000DDW | 1 | | |
| 1 | 25 | 962105-3 | RETAINING RING R-26 | 1 | | |
| 1 | 26 | 458497-1 | CATCH LEVER | 1 | | |
| 1 | 27 | 651365-9 | SWITCH C3JW-6BM-P | 1 | | |
| 1 | 28 | 233476-8 | COMPRESSION SPRING 4 | 1 | | |
| 1 | 29 | 458495-5 | SWITCH LEVER | 1 | | |
| 1 | 30 | 632L49-0 | SWITCH UNIT | 1 | | |
| 1 | 31 | 632L48-2 | SWITCH UNIT | 1 | | |
| 1 | 32 | 140A77-0 | CONTROLLER COMPLETE | 1 | | |
| 1 | 33 | 140A73-8 | FRONT HAND GUARD COMPLETE | 1 | | |
| 1 | 34 | 232453-7 | COMPRESSION SPRING 3 | 1 | | |

Products with multiple versions are listed in subsiding order with the newest version on top not indented.

| Section | Fig. No. | Part No. | Description | XCU06 | Tech Bulletin | Notes |
|---------|----------|----------|-----------------------------|-------|---------------|------------------------|
| 1 | 35 | 310879-4 | HAND GUARD GUIDE | 1 | | |
| 1 | 36 | 643874-2 | TERMINAL | 1 | | |
| 1 | 37 | 347377-5 | HOOK SUPPORT | 1 | | |
| 1 | 38 | 281222-3 | HOOK | 1 | | |
| 1 | 39 | 183J48-8 | HOUSING SET | 1 | | INC. 2 |
| 1 | 41 | 227620-7 | DRIVE GEAR | 1 | | |
| 1 | 42 | 227634-6 | STRAIGHT BEVEL GEAR 14 | 1 | | |
| 1 | 43 | 455241-7 | CLAMP SCREW | 1 | | |
| 1 | 44 | 347569-6 | TENSION SLIDE | 1 | C8640 | 7-2019> |
| 1 | 44 | 347376-7 | TENSION SLIDE | 1 | C8640 | <6-2019 |
| 1 | 45 | 327120-8 | ADJUST SCREW | 1 | | |
| 1 | 46 | 227496-2 | STRAIGHT BEVEL GEAR 14 | 1 | | |
| 1 | 47 | 455242-5 | CLAMP SCREW | 1 | | |
| 1 | 48 | 458491-3 | HOUSING R COVER | 1 | | |
| 1 | 49 | 266326-2 | TAPPING SCREW 4X18 | 4 | | |
| 1 | 50 | 140A74-6 | LINK PLATE COMPLETE | 1 | | |
| 1 | 51 | 232452-9 | COMPRESSION SPRING 7 | 1 | | |
| 1 | 52 | 347372-5 | BRAKE BAND | 1 | | |
| 1 | 53 | 161871-1 | BRAKE DRUM COMPLETE | 1 | | |
| 1 | 54 | 213060-5 | O RING 10 | 1 | | |
| 1 | 55 | 221464-7 | SPROCKET 6 | 1 | | 3/8 PITCH (STANDARD) |
| 1 | 55 | 198259-2 | SPROCKET 6 | 1 | | 1/4 PITCH (ACCESSORY) |
| 1 | 56 | 961013-5 | STOP RING E-7 | 1 | | |
| 1 | 57 | 347567-0 | GUIDE PLATE L | 1 | C8640 | 7-2019> |
| 1 | 57 | 347374-1 | GUIDE PLATE L | 1 | C8640 | <6-2019 |
| 1 | 58 | 347373-3 | CHAIN CATCHER | 1 | | |
| 1 | 59 | 266905-6 | H.L. SOCKET HEAD BOLT M5X12 | 1 | | |
| 1 | 60 | 266388-0 | TAPPING SCREW 5X16 | 1 | | |
| 1 | 61 | 266007-8 | TAPPING SCREW BIND PT 3X10 | 1 | | |
| 1 | 62 | 347568-8 | GUIDE PLATE R | 1 | C8640 | 7-2019> |
| 1 | 62 | 347375-9 | GUIDE PLATE R | 1 | C8640 | <6-2019 |
| 1 | 63 | 136122-1 | SPROCKET COVER ASS'Y | 1 | C8640 | INC. 61,62,64,65,70,71 |
| 1 | 63 | 136036-4 | SPROCKET COVER ASS'Y | 1 | | INC. 61,62,64,65,70,71 |
| 1 | 63 | 136010-2 | SPROCKET COVER ASS'Y | 1 | | INC. 61,62,64,65,70,71 |

Products with multiple versions are listed in subsiding order with the newest version on top not indented.

| Section | Fig. No. | Part No. | Description | XCU06 | Tech Bulletin | Notes |
|---------|----------|----------|---------------------|-------|---------------|--------------|
| 1 | 64 | 161870-3 | FRANGE NUT COMPLETE | 1 | | |
| 1 | 65 | 458499-7 | NUT COVER | 1 | | |
| 1 | 70 | 422310-9 | CHIP GUIDE | 1 | | |
| 1 | 71 | 459771-0 | SPROCKET GUARD | 1 | C8640 | 7-2019> |
| 1 | 71 | 458493-9 | SPROCKET GUARD | 1 | C8640 | <6-2019 |
| 1 | A01 | 199075-5 | SAW CHAIN SET | 1 | | |
| 1 | A02 | 452093-7 | 10" GUIDE BAR CASE | 1 | | NOT PICTURED |
| 1 | A03 | 161846-0 | GUIDE BAR 10 | 1 | | |
| 1 | A04 | 782023-7 | WRENCH 13-16 | 1 | | NOT PICTURED |
| 1 | A11 | 199067-4 | SPIKE BAR, SET | 1 | | |
| 1 | | 168407-7 | CARVING GUIDE BAR | 1 | | NOT PICTURED |
| 1 | | 194098-8 | CARVING SAW CHAIN | 1 | | NOT PICTURED |