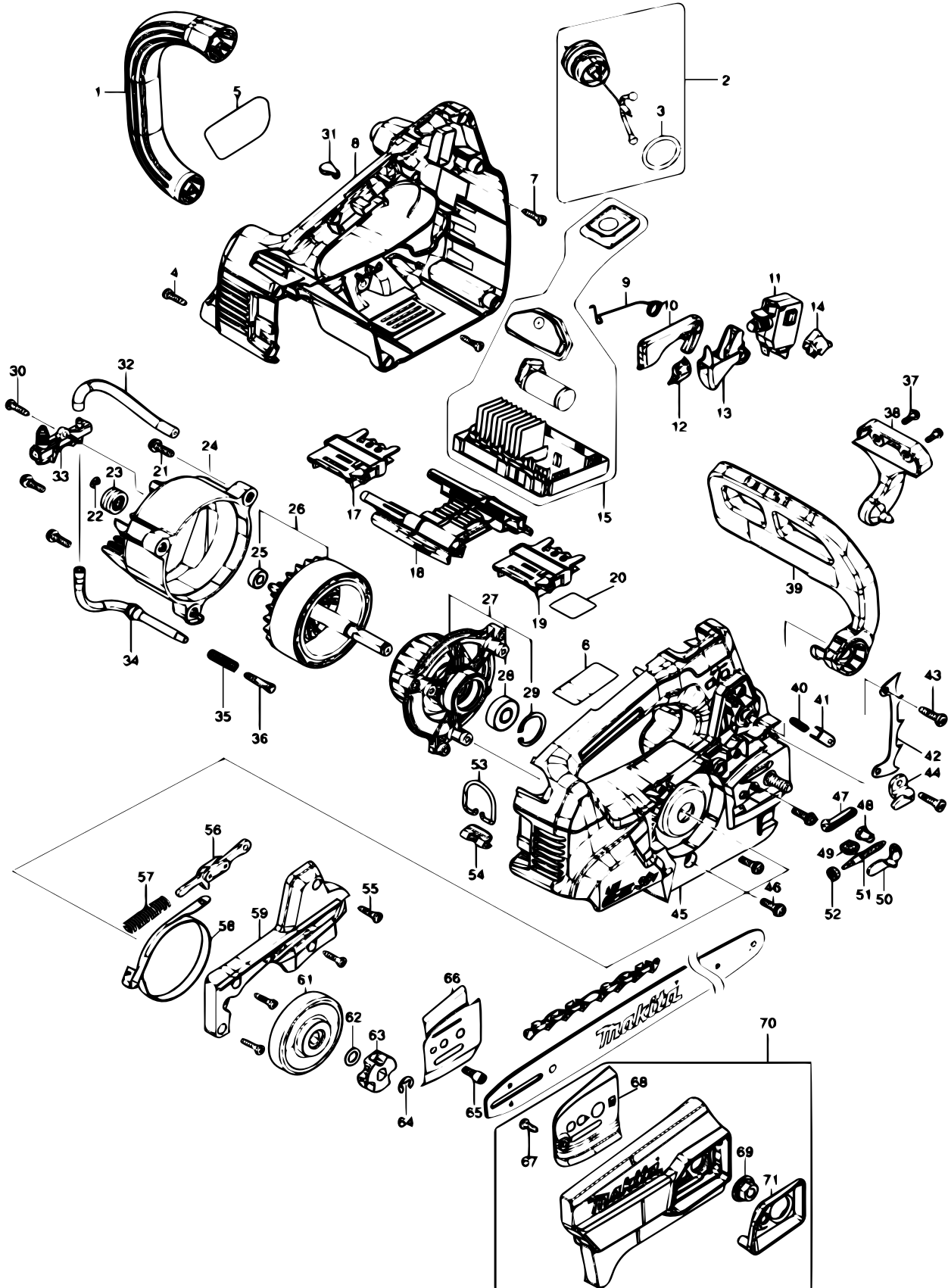




XCU09



Products with multiple versions are listed in subsiding order with the newest version on top not indented.

| Section | Fig. No. | Part No. | Description | XCU09 | Tech Bulletin | Notes |
|---------|----------|----------|------------------------|-------|---------------|------------|
| 1 | 1 | 459275-2 | FRONT HANDLE | 1 | | |
| 1 | 2 | 126832-8 | TANK CAP ASSEMBLY | 1 | | INC. 3 |
| 1 | 3 | 213355-6 | O-RING 25 | 1 | | |
| 1 | 4 | 266326-2 | TAPPING SCREW 4X18 | 9 | | |
| 1 | 5 | 819S72-6 | XCU09 MODEL NO. LABEL | 1 | | |
| 1 | 6 | 856A52-3 | XCU09 NAME PLATE | 1 | | |
| 1 | 7 | 266326-2 | TAPPING SCREW 4X18 | 2 | | |
| 1 | 8 | 183N16-5 | HOUSING SET | 1 | | INC. 45 |
| 1 | 9 | 232509-6 | TORSION SPRING 10 | 1 | | |
| 1 | 10 | 459268-9 | CATCH LEVER | 1 | | |
| 1 | 11 | 651365-9 | SWITCH C3JW-6BM-P | 1 | | |
| 1 | 12 | 632L49-0 | SWITCH UNIT | 1 | | |
| 1 | 13 | 459267-1 | SWITCH LEVER | 1 | | |
| 1 | 14 | 632L48-2 | SWITCH UNIT | 1 | | |
| 1 | 15 | 140K84-3 | CONTROLLER COMPLETE | 1 | | |
| 1 | 17 | 643874-2 | TERMINAL | 1 | | |
| 1 | 18 | 140K81-9 | CENTER CASE COMPLETE | 1 | | |
| 1 | 19 | 643874-2 | TERMINAL | 1 | | |
| 1 | 20 | 856A56-5 | XCU09 SERIAL NO. LABEL | 1 | | |
| 1 | 21 | 911228-4 | PAN HEAD SCREW M5X18 | 3 | | |
| 1 | 22 | 961011-9 | STOP RING E-4 | 1 | | |
| 1 | 23 | 226884-0 | WORM GEAR | 1 | | |
| 1 | 24 | 459276-0 | MOTOR HOUSING | 1 | | |
| 1 | 25 | 210026-6 | BALL BEARING 696ZZ | 1 | | |
| 1 | 26 | 519576-1 | ROTOR ASS'Y | 1 | | INC. 25 |
| 1 | 27 | 529420-4 | STATOR ASS'Y | 1 | | INC. 28,29 |
| 1 | 28 | 210059-1 | BALL BEARING 6000DDW | 1 | | |
| 1 | 29 | 962105-3 | RETAINING RING R-26 | 1 | | |
| 1 | 30 | 266326-2 | TAPPING SCREW 4X18 | 1 | | |
| 1 | 31 | 422467-6 | CAP | 1 | | |
| 1 | 32 | 422451-1 | OIL TUBE 3-100 | 1 | | |
| 1 | 33 | 142156-4 | OIL PUMP COMPLETE | 1 | | |
| 1 | 34 | 422452-9 | OIL TUBE 3-130 | 1 | | |
| 1 | 35 | 231975-4 | SPRING | 1 | | |

Products with multiple versions are listed in subsiding order with the newest version on top not indented.

| Section | Fig. No. | Part No. | Description | XCU09 | Tech Bulletin | Notes |
|---------|----------|----------|-----------------------------|-------|---------------|---------------|
| 1 | 36 | 452666-6 | NIPPLE | 1 | | |
| 1 | 37 | 911118-1 | PAN HEAD SCREW M4X12 | 2 | | |
| 1 | 38 | 459270-2 | FRONT HAND GUARD RETAINER | 1 | | |
| 1 | 39 | 140K80-1 | FRONT HAND GUARD COMPLETE | 1 | | |
| 1 | 40 | 234210-9 | COMPRESSION SPRING 3 | 1 | | |
| 1 | 41 | 313212-9 | HAND GUARD GUIDE | 1 | | |
| 1 | 42 | 346809-9 | SPIKE BUMPER | 1 | | |
| 1 | 43 | 266420-0 | TAPPING SCREW 5X20 | 2 | | |
| 1 | 44 | 347516-7 | CHAIN CATCHER | 1 | | |
| 1 | 45 | 183N16-5 | HOUSING SET | 1 | | INC. 8 |
| 1 | 46 | 911228-4 | PAN HEAD SCREW M5X18 | 3 | | |
| 1 | 47 | 422466-8 | GROMET | 1 | | |
| 1 | 48 | 227620-7 | DRIVE GEAR | 1 | | |
| 1 | 49 | 227634-6 | STRAIGHT BEVEL GEAR 14 | 1 | | |
| 1 | 50 | 347517-5 | TENSION SLIDE | 1 | | |
| 1 | 51 | 327317-9 | ADJUST SCREW | 1 | | |
| 1 | 52 | 227496-2 | STRAIGHT BEVEL GEAR 14 | 1 | | |
| 1 | 53 | 281222-3 | HOOK | 1 | | |
| 1 | 54 | 347514-1 | HOOK SUPPORT | 1 | | |
| 1 | 55 | 266326-2 | TAPPING SCREW 4X18 | 4 | | |
| 1 | 56 | 140A74-6 | LINK PLATE COMPLETE | 1 | | |
| 1 | 57 | 232452-9 | COMPRESSION SPRING 7 | 1 | | |
| 1 | 58 | 347515-9 | BRAKE BAND COMPLETE | 1 | | |
| 1 | 59 | 459273-6 | HOUSING R COVER | 1 | | |
| 1 | 61 | 162638-0 | BRAKE DRUM COMPLETE | 1 | | |
| 1 | 62 | 213060-5 | O RING 10 | 1 | | |
| 1 | 63 | 221464-7 | SPROCKET 6 | 1 | | |
| 1 | 64 | 961013-5 | STOP RING E-7 | 1 | | |
| 1 | 65 | 266905-6 | H.L. SOCKET HEAD BOLT M5X12 | 1 | | |
| 1 | 66 | 347533-7 | GUIDE PLATE L | 1 | | |
| 1 | 67 | 266427-6 | TAPPING SCREW 4X12 | 1 | | |
| 1 | 68 | 347534-5 | GUIDE PLATE R | 1 | | |
| 1 | 69 | 162494-8 | FLANGE NUT COMPLETE | 1 | | |
| 1 | 70 | 136138-6 | SPROCKET COVER ASS'Y | 1 | | INC. 67-69,71 |

Products with multiple versions are listed in subsiding order with the newest version on top not indented.

| Section | Fig. No. | Part No. | Description | XCU09 | Tech Bulletin | Notes |
|---------|----------|-----------|----------------------|-------|---------------|--------------|
| 1 | 71 | 459278-6 | NUT COVER | 1 | | |
| 1 | A01 | 165247-4 | GUIDE BAR | 1 | | Not Pictured |
| 1 | A02 | 419242-9 | CHAIN COVER | 1 | | Not Pictured |
| 1 | A03 | 196742-3 | SAW CHAIN SET | 1 | | Not Pictured |
| 1 | A04 | 199897-3 | OIL VESSEL SET | 1 | | Not Pictured |
| 1 | A05 | 782023-7 | WRENCH 13-16 | 1 | | Not Pictured |
| 1 | A06B | ***DC18RD | DC18RD TWO PORT FAST | 1 | | Not Pictured |
| 1 | A07B | 197283-2 | BATTERY BL1850B SET | 2 | | Not Pictured |