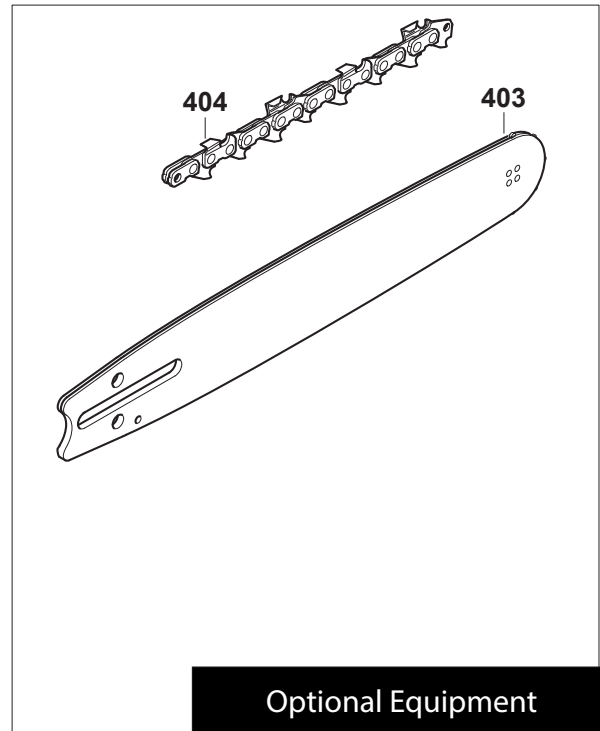
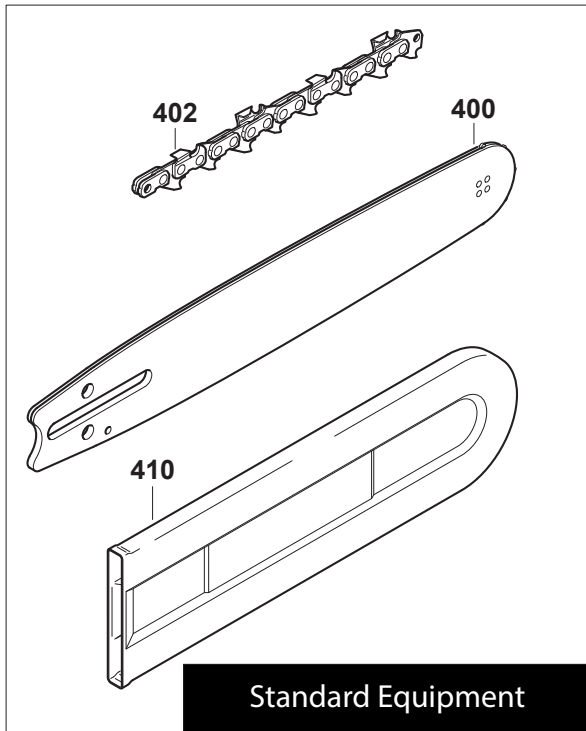


Products with multiple versions are listed in subsiding order with the newest version on top not indented.

Section	Fig. No.	Part No.	Description	XCU09	Tech Bulletin	Notes
1	68	347534-5	GUIDE PLATE R	1		
1	69	162494-8	FLANGE NUT COMPLETE	1		
1	70	136138-6	SPROCKET COVER ASS'Y	1		INC. 67-69,71
1	71	459278-6	NUT COVER	1		



Products with multiple versions are listed in subsiding order with the newest version on top not indented.

Section	Fig. No.	Part No.	Description	XCU09	Tech Bulletin	Notes
2	400	E-00072	14" GUIDE BAR	1		Standard Equipment
2	400	165246-6	14" GUIDE BAR	1		Standard Equipment
2	402	E-00228	SAW CHAIN SET	1		Standard Equipment
2	402	196741-5	SAW CHAIN SET	1		Standard Equipment
2	403	E-00066	GUIDE BAR 12" 3/8 .043	1		
2	403	165245-8	GUIDE BAR 12" 3/8 .043	1		
2	403	163150-3	GUIDE BAR 12" 3/8 .050	1		
2	403	E-00088	GUIDE BAR 14" 3/8 .050	1		
2	403	165201-8	GUIDE BAR 14" 3/8 .050	1		
2	403	E-00094	GUIDE BAR 16" 3/8 .043	1		
2	403	165247-4	GUIDE BAR 16" 3/8 .043	1		
2	403	E-00103	GUIDE BAR 16" 3/8 .050	1		
2	403	442-040-661	GUIDE BAR 16" 3/8 .050	1		
2	404	E-02440	SAW CHAIN SET 12" 3/8 .043	1		
2	404	531-291-646	SAW CHAIN SET 12" 3/8 .043	1		
2	404	196519-6	SAW CHAIN SET 12" 3/8 .050	1		
2	404	E-00234	SAW CHAIN SET 14" 3/8 .050	1		
2	404	196207-5	SAW CHAIN SET 14" 3/8 .050	1		
2	404	E-00240	SAW CHAIN SET 16" 3/8 .043	1		
2	404	196742-3	SAW CHAIN SET 16" 3/8 .043	1		
2	404	E-00256	SAW CHAIN SET 16" 3/8 .050	1		
2	404	196208-3	SAW CHAIN SET 16" 3/8 .050	1		
2	410	419242-9	CHAIN PROCTER 14-16"	1		Standard Equipment
2	410	952-010-630	CHAIN PROCTER 14-16"	1		Standard Equipment