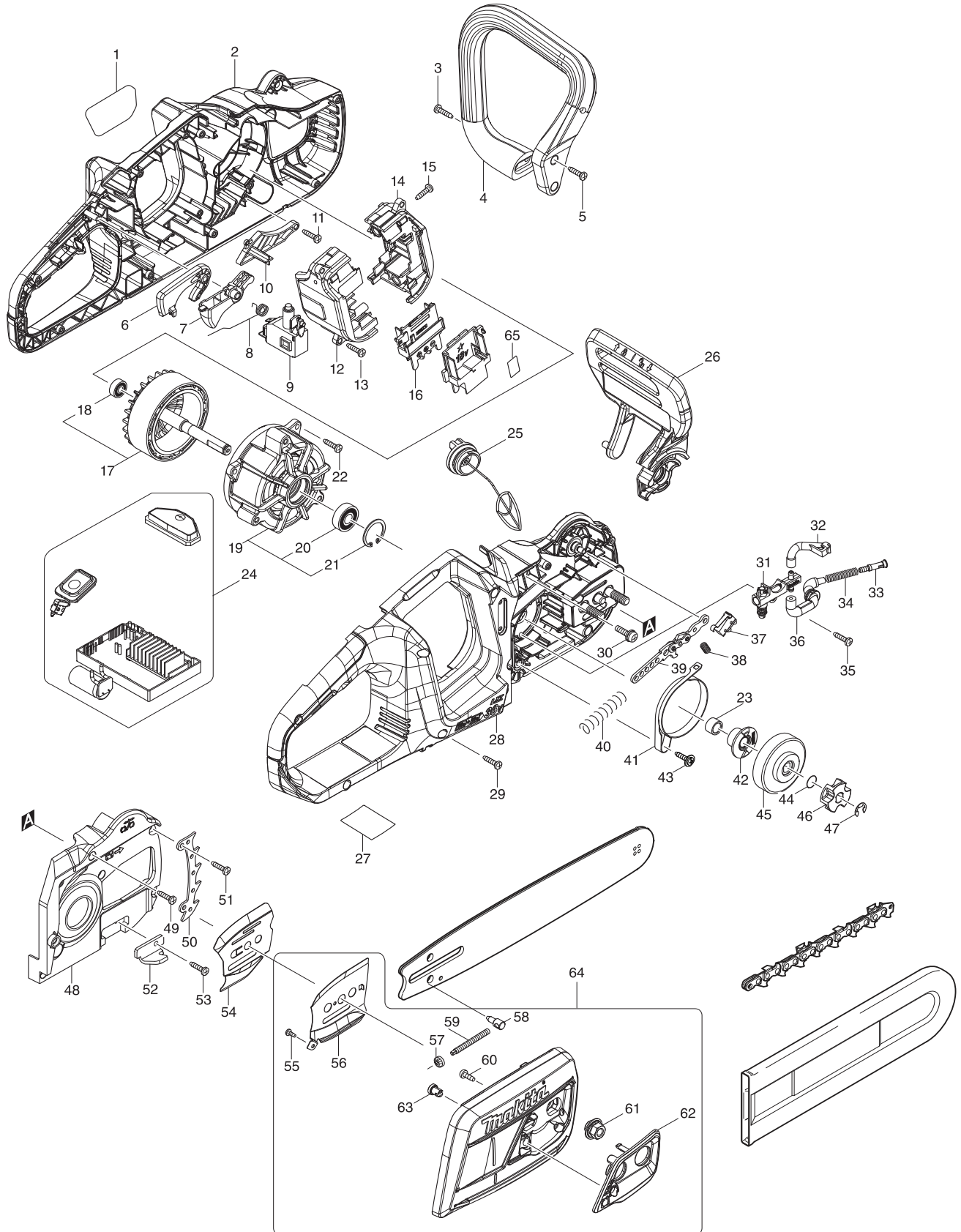




XCU07

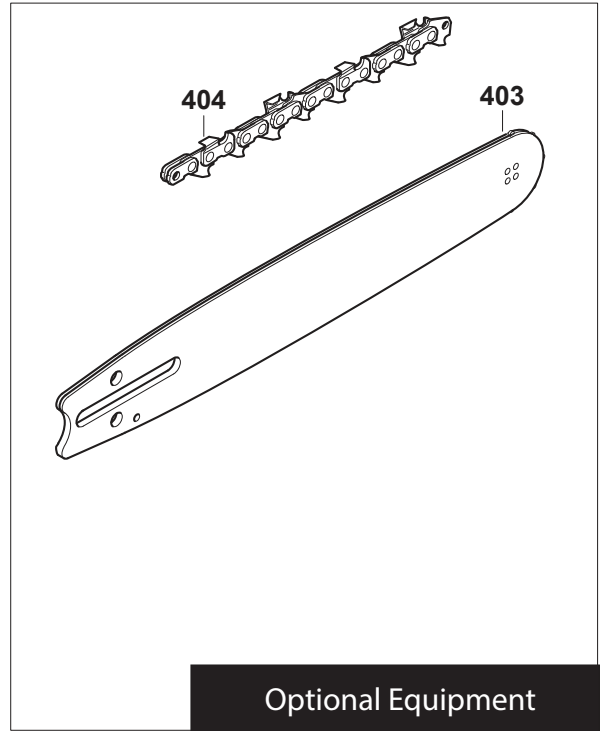
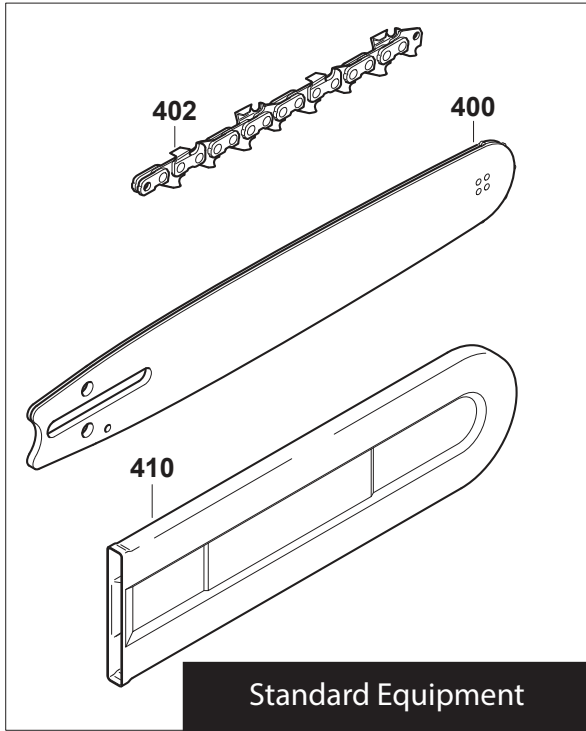


Products with multiple versions are listed in subsiding order with the newest version on top not indented.

| Section | Fig. No. | Part No. | Description | XCU07 | Tech Bulletin | Notes |
|---------|----------|----------|---------------------------|-------|---------------|------------|
| 1 | 1 | 818F46-6 | XCU07 MODEL NO. LABEL | 1 | | |
| 1 | 2 | 183K82-4 | HOUSING SET | 1 | | INC. 28 |
| 1 | 3 | 266326-2 | TAPPING SCREW 4X18 | 2 | | |
| 1 | 4 | 457007-1 | FRONT HANDLE | 1 | | |
| 1 | 5 | 266326-2 | TAPPING SCREW 4X18 | 2 | | |
| 1 | 6 | 457013-6 | CATCH LEVER | 1 | | |
| 1 | 7 | 457006-3 | SWITCH LEVER | 1 | | |
| 1 | 8 | 232318-3 | TORSION SPRING 10 | 1 | | |
| 1 | 9 | 650781-2 | SWITCH C3JW-6B-P | 1 | | |
| 1 | 10 | 457010-2 | HOUSING L COVER | 1 | | |
| 1 | 11 | 266326-2 | TAPPING SCREW 4X18 | 1 | | |
| 1 | 12 | 183F15-9 | TERMINAL BOX SET | 1 | | INC. 14 |
| 1 | 13 | 266326-2 | TAPPING SCREW 4X18 | 4 | | |
| 1 | 14 | 183F15-9 | TERMINAL BOX SET | 1 | | INC. 12 |
| 1 | 15 | 266326-2 | TAPPING SCREW 4X18 | 2 | | |
| 1 | 16 | 643874-2 | TERMINAL | 2 | | |
| 1 | 17 | 519411-3 | ROTOR ASS'Y | 1 | | INC. 18 |
| 1 | 18 | 211012-0 | BALL BEARING 606ZZ | 1 | | |
| 1 | 19 | 592H45-5 | STATOR ASS'Y | 1 | | INC. 20,21 |
| 1 | 20 | 210059-1 | BALL BEARING 6000DDW | 1 | | |
| 1 | 21 | 962105-3 | RETAINING RING R-26 | 1 | | |
| 1 | 22 | 266326-2 | TAPPING SCREW 4X18 | 3 | | |
| 1 | 23 | 257402-3 | SLEEVE 10 | 1 | | |
| 1 | 24 | 140G35-2 | CONTROLLER COMPLETE | 1 | | |
| 1 | 25 | 168508-1 | TANK CAP COMPLETE | 1 | | |
| 1 | 26 | 140F49-5 | FRONT HAND GUARD COMPLETE | 1 | | |
| 1 | 27 | 855A11-4 | XCU07 NAME PLATE | 1 | | |
| 1 | 28 | 183K82-4 | HOUSING SET | 1 | | |
| 1 | 29 | 266326-2 | TAPPING SCREW 4X18 | 8 | | |
| 1 | 30 | 911233-1 | PAN HEAD SCREW M5X20 | 3 | | |
| 1 | 31 | 142156-4 | OIL PUMP COMPLETE | 1 | | |
| 1 | 32 | 424904-6 | CONNECTOR B | 1 | | |

Products with multiple versions are listed in subsiding order with the newest version on top not indented.

| Section | Fig. No. | Part No. | Description | XCU07 | Tech Bulletin | Notes |
|---------|----------|----------|---------------------------|-------|---------------|------------|
| 1 | 33 | 452666-6 | NIPPLE | 1 | | |
| 1 | 34 | 234207-8 | COMPRESSION SPRING 6 | 1 | | |
| 1 | 35 | 266326-2 | TAPPING SCREW 4X18 | 1 | | |
| 1 | 36 | 424903-8 | CONNECTOR A | 1 | | |
| 1 | 37 | 632H47-0 | SWITCH UNIT | 1 | | |
| 1 | 38 | 231298-0 | COMPRESSION SPRING 6 | 1 | | |
| 1 | 39 | 163448-8 | LINKPLATE COMPLETE | 1 | | |
| 1 | 40 | 232319-1 | COMPRESSION SPRING 9 | 1 | | |
| 1 | 41 | 345454-7 | BRAKE BAND | 1 | | |
| 1 | 42 | 221427-3 | WORM GEAR | 1 | | |
| 1 | 43 | 266326-2 | TAPPING SCREW FLANGE 4X18 | 1 | | |
| 1 | 44 | 213060-5 | O RING 10 | 1 | | |
| 1 | 45 | 161526-8 | BRAKE DRUM COMPLETE | 1 | | |
| 1 | 46 | 221464-7 | SPROCKET 6 | 1 | | |
| 1 | 47 | 961013-5 | STOP RING E-7 | 1 | | |
| 1 | 48 | 457004-7 | HOUSING R COVER | 1 | | |
| 1 | 49 | 266326-2 | TAPPING SCREW 4X18 | 4 | | |
| 1 | 50 | 347078-5 | SPIKE BUMPER | 1 | | |
| 1 | 51 | 266326-2 | TAPPING SCREW 4X18 | 2 | | |
| 1 | 52 | 347079-3 | CHAIN CATCHER | 1 | | |
| 1 | 53 | 266326-2 | TAPPING SCREW 4X18 | 1 | | |
| 1 | 54 | 346694-0 | GUIDE PLATE ES | 1 | | |
| 1 | 55 | 266166-8 | TAPPING SCREW CT 3X8 | 2 | | |
| 1 | 56 | 346699-0 | GUIDE PLATE CS | 1 | | |
| 1 | 57 | 227496-2 | STRAIGHT BEVEL GEAR 14 | 1 | | |
| 1 | 58 | 326311-8 | ADJUST PIN | 1 | | |
| 1 | 59 | 326313-4 | ADJUST SCREW | 1 | | |
| 1 | 60 | 266427-6 | TAPPING SCREW 4X12 | 2 | | |
| 1 | 61 | 144689-5 | FLANGE NUT COMPLETE | 2 | | |
| 1 | 62 | 454620-6 | NUT COVER | 1 | | |
| 1 | 63 | 227620-7 | DRIVE GEAR | 1 | | |
| 1 | 64 | 136071-2 | SPROCKET COVER ASSY | 1 | | INC. 55-63 |
| 1 | 65 | 855A17-2 | XCU07 SERIAL NO. LABEL | 1 | | |



Products with multiple versions are listed in subsiding order with the newest version on top not indented.

| Section | Fig. No. | Part No. | Description | XCU07 | Tech Bulletin | Notes |
|---------|----------|-------------|----------------------------|-------|---------------|--------------------|
| 2 | 400 | E-00072 | 14" GUIDE BAR | 1 | | Standard Equipment |
| 2 | 400 | 165246-6 | 14" GUIDE BAR | 1 | | Standard Equipment |
| 2 | 402 | E-00228 | SAW CHAIN SET | 1 | | Standard Equipment |
| 2 | 402 | 196741-5 | SAW CHAIN SET | 1 | | Standard Equipment |
| 2 | 403 | E-00066 | GUIDE BAR 12" 3/8 .043 | 1 | | |
| 2 | 403 | 165245-8 | GUIDE BAR 12" 3/8 .043 | 1 | | |
| 2 | 403 | 163150-3 | GUIDE BAR 12" 3/8 .050 | 1 | | |
| 2 | 403 | E-00088 | GUIDE BAR 14" 3/8 .050 | 1 | | |
| 2 | 403 | 165201-8 | GUIDE BAR 14" 3/8 .050 | 1 | | |
| 2 | 403 | E-00094 | GUIDE BAR 16" 3/8 .043 | 1 | | |
| 2 | 403 | 165247-4 | GUIDE BAR 16" 3/8 .043 | 1 | | |
| 2 | 403 | E-00103 | GUIDE BAR 16" 3/8 .050 | 1 | | |
| 2 | 403 | 442-040-661 | GUIDE BAR 16" 3/8 .050 | 1 | | |
| 2 | 404 | E-02440 | SAW CHAIN SET 12" 3/8 .043 | 1 | | |
| 2 | 404 | 531-291-646 | SAW CHAIN SET 12" 3/8 .043 | 1 | | |
| 2 | 404 | 196519-6 | SAW CHAIN SET 12" 3/8 .050 | 1 | | |
| 2 | 404 | E-00234 | SAW CHAIN SET 14" 3/8 .050 | 1 | | |
| 2 | 404 | 196207-5 | SAW CHAIN SET 14" 3/8 .050 | 1 | | |
| 2 | 404 | E-00240 | SAW CHAIN SET 16" 3/8 .043 | 1 | | |
| 2 | 404 | 196742-3 | SAW CHAIN SET 16" 3/8 .043 | 1 | | |
| 2 | 404 | E-00256 | SAW CHAIN SET 16" 3/8 .050 | 1 | | |
| 2 | 404 | 196208-3 | SAW CHAIN SET 16" 3/8 .050 | 1 | | |
| 2 | 410 | 419242-9 | CHAIN PROCTER 14-16" | 1 | | Standard Equipment |