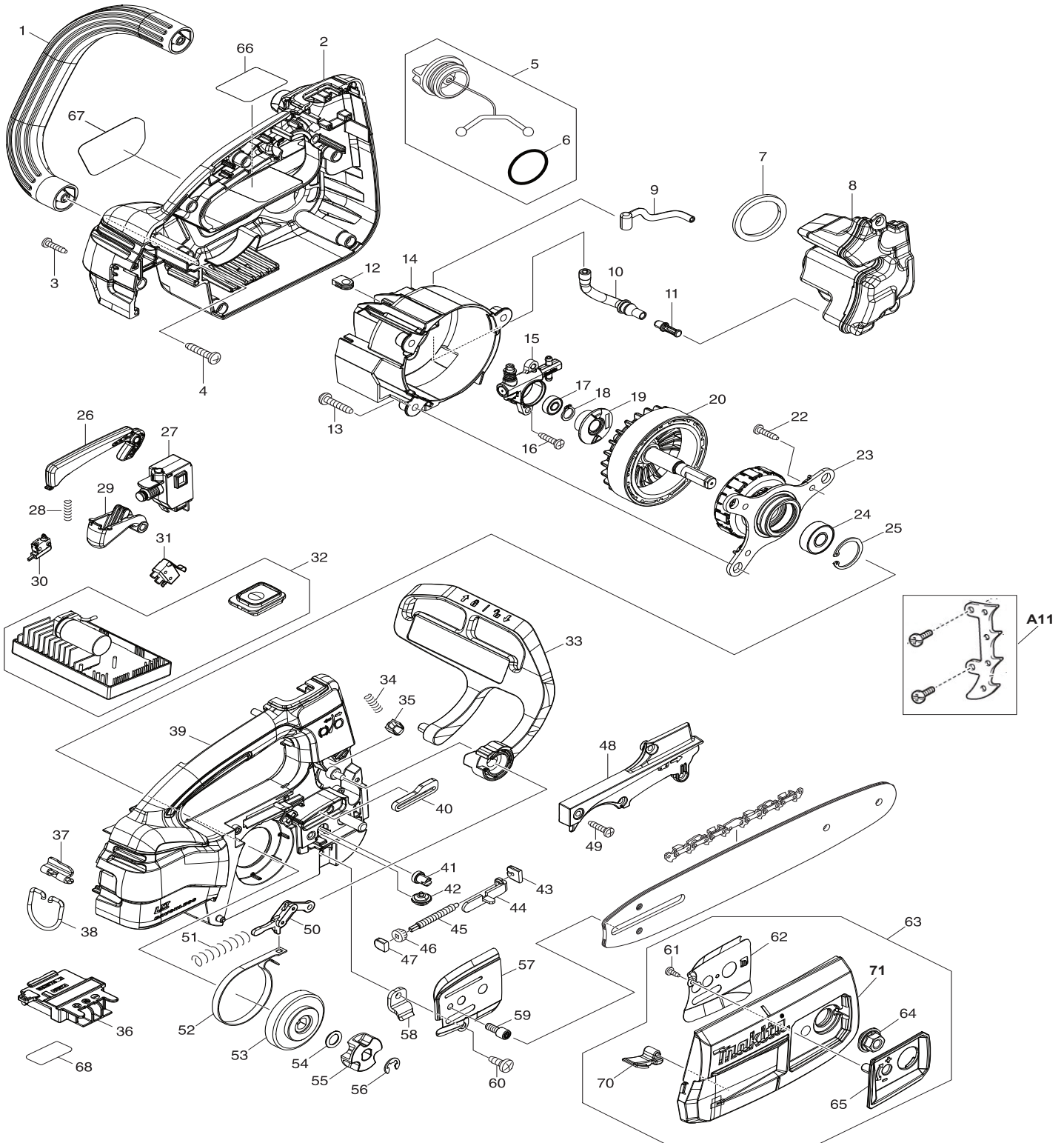




**XCU06**



Products with multiple versions are listed in subsiding order with the newest version on top not indented.

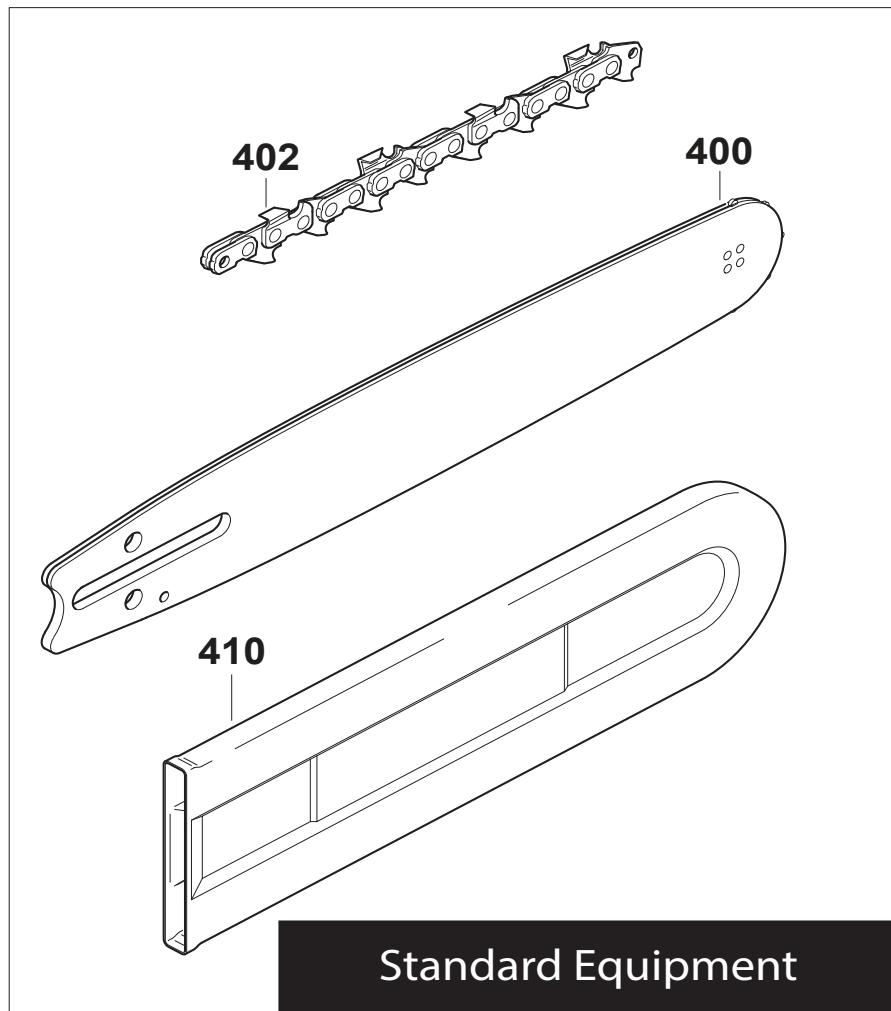
Section	Fig. No.	Part No.	Description	XCU06	Tech Bulletin	Notes
1	1	458490-5	SIDE HANDLE	1		
1	2	183K63-8	HOUSING SET	1		INC. 39
1	2	183J48-8	HOUSING SET	1		INC. 39
1	3	266326-2	TAPPING SCREW 4X18	8		
1	4	266041-8	TAPPING SCREW 5X25	2		
1	5	168508-1	TANK CAP COMPLETE	1		INC. 6
1	6	963-225-030	O-RING 25	1		
1	7	421959-2	SPONGE SEAL	1		
1	8	140A75-4	OIL TANK COMPLETE	1		
1	9	422271-3	CONNECTOR A	1		
1	10	422272-1	CONNECTOR B	1		
1	11	450437-5	FILTER	1		
1	12	424612-9	GROMMET	1		
1	13	266041-8	TAPPING SCREW 5X25	3		
1	14	458489-0	MOTOR HOUSING	1		
1	15	142857-4	OIL PUMP COMPLETE	1		
1	16	266326-2	TAPPING SCREW 4X18	2		
1	17	210026-6	BALL BEARING 696ZZ	1		
1	18	961006-2	RETAINING RING S-10	1		
1	19	221428-1	WORM GEAR	1		
1	20	619518-6	ROTOR	1		
1	22	266326-2	TAPPING SCREW 4X18	3		
1	23	629378-8	STATOR COMPLETE	1		
1	24	210059-1	BALL BEARING 6000DDW	1		
1	25	962105-3	RETAINING RING R-26	1		
1	26	458497-1	CATCH LEVER	1		
1	27	651365-9	SWITCH C3JW-6BM-P	1		
1	28	233476-8	COMPRESSION SPRING 4	1		
1	29	458495-5	SWITCH LEVER	1		
1	30	632L49-0	SWITCH UNIT	1		
1	31	632L48-2	SWITCH UNIT	1		
1	32	140A77-0	CONTROLLER COMPLETE	1		
1	33	140A73-8	FRONT HAND GUARD COMPLETE	1		
1	34	232453-7	COMPRESSION SPRING 3	1		

Products with multiple versions are listed in subsiding order with the newest version on top not indented.

Section	Fig. No.	Part No.	Description	XCU06	Tech Bulletin	Notes
1	35	310879-4	HAND GUARD GUIDE	1		
1	36	643874-2	TERMINAL	1		
1	37	347377-5	HOOK SUPPORT	1		
1	38	281222-3	HOOK	1		
1	39	183J48-8	HOUSING SET	1		INC. 2
1	41	227620-7	DRIVE GEAR	1		
1	42	227634-6	STRAIGHT BEVEL GEAR 14	1		
1	43	455241-7	CLAMP SCREW	1		
1	44	347569-6	TENSION SLIDE	1	C8640	7-2019>
1	44	347376-7	TENSION SLIDE	1	C8640	<6-2019
1	45	327120-8	ADJUST SCREW	1		
1	46	227496-2	STRAIGHT BEVEL GEAR 14	1		
1	47	455242-5	CLAMP SCREW	1		
1	48	458491-3	HOUSING R COVER	1		
1	49	266326-2	TAPPING SCREW 4X18	4		
1	50	140A74-6	LINK PLATE COMPLETE	1		
1	51	232452-9	COMPRESSION SPRING 7	1		
1	52	347372-5	BRAKE BAND	1		
1	53	161871-1	BRAKE DRUM COMPLETE	1		
1	54	213060-5	O RING 10	1		
1	55	221464-7	SPROCKET 6	1		3/8 PITCH (STANDARD)
1	55	198259-2	SPROCKET 6	1		1/4 PITCH (ACCESSORY)
1	56	961013-5	STOP RING E-7	1		
1	57	347567-0	GUIDE PLATE L	1	C8640	7-2019>
1	57	347374-1	GUIDE PLATE L	1	C8640	<6-2019
1	58	347373-3	CHAIN CATCHER	1		
1	59	266905-6	H.L. SOCKET HEAD BOLT M5X12	1		
1	60	266388-0	TAPPING SCREW 5X16	1		
1	61	266007-8	TAPPING SCREW BIND PT 3X10	1		
1	62	347375-9	GUIDE PLATE R	1	C8640	<6-2019
1	63	136122-1	SPROCKET COVER ASS'Y	1	C8640	INC. 61,62,64,65,70,71
1	63	136036-4	SPROCKET COVER ASS'Y	1		INC. 61,62,64,65,70,71
1	63	136010-2	SPROCKET COVER ASS'Y	1		INC. 61,62,64,65,70,71
1	64	161870-3	FRANGE NUT COMPLETE	1		
1	65	458499-7	NUT COVER	1		

Products with multiple versions are listed in subsiding order with the newest version on top not indented.

Section	Fig. No.	Part No.	Description	XCU06	Tech Bulletin	Notes
1	70	422310-9	CHIP GUIDE	1		
1	71	459771-0	SPROCKET GUARD	1	C8640	7-2019>
1	71	458493-9	SPROCKET GUARD	1	C8640	<6-2019
1	A04	782023-7	WRENCH 13-16	1		NOT PICTURED
1	A11	199067-4	SPIKE BAR, SET	1		ACCESSORY ONLY



Products with multiple versions are listed in subsiding order with the newest version on top not indented.

Section	Fig. No.	Part No.	Description	XCU06	Tech Bulletin	Notes
2	400	E-00044	GUIDE BAR 10	1		STANDARD EQUIPMENT
2	400	161846-0	GUIDE BAR 10	1		
2	400	168407-7	1/4 PITCH CARVING GUIDE BAR	1		ACCESSORY ONLY
2	402	E-02434	SAW CHAIN SET	1		STANDARD EQUIPMENT
2	402	199075-5	SAW CHAIN SET	1		
2	402	194098-8	1/4 PITCH CARVING SAW CHAIN	1		ACCESSORY ONLY
2	410	452093-7	CHAIN PROTECTOR	1		STANDARD EQUIPMENT