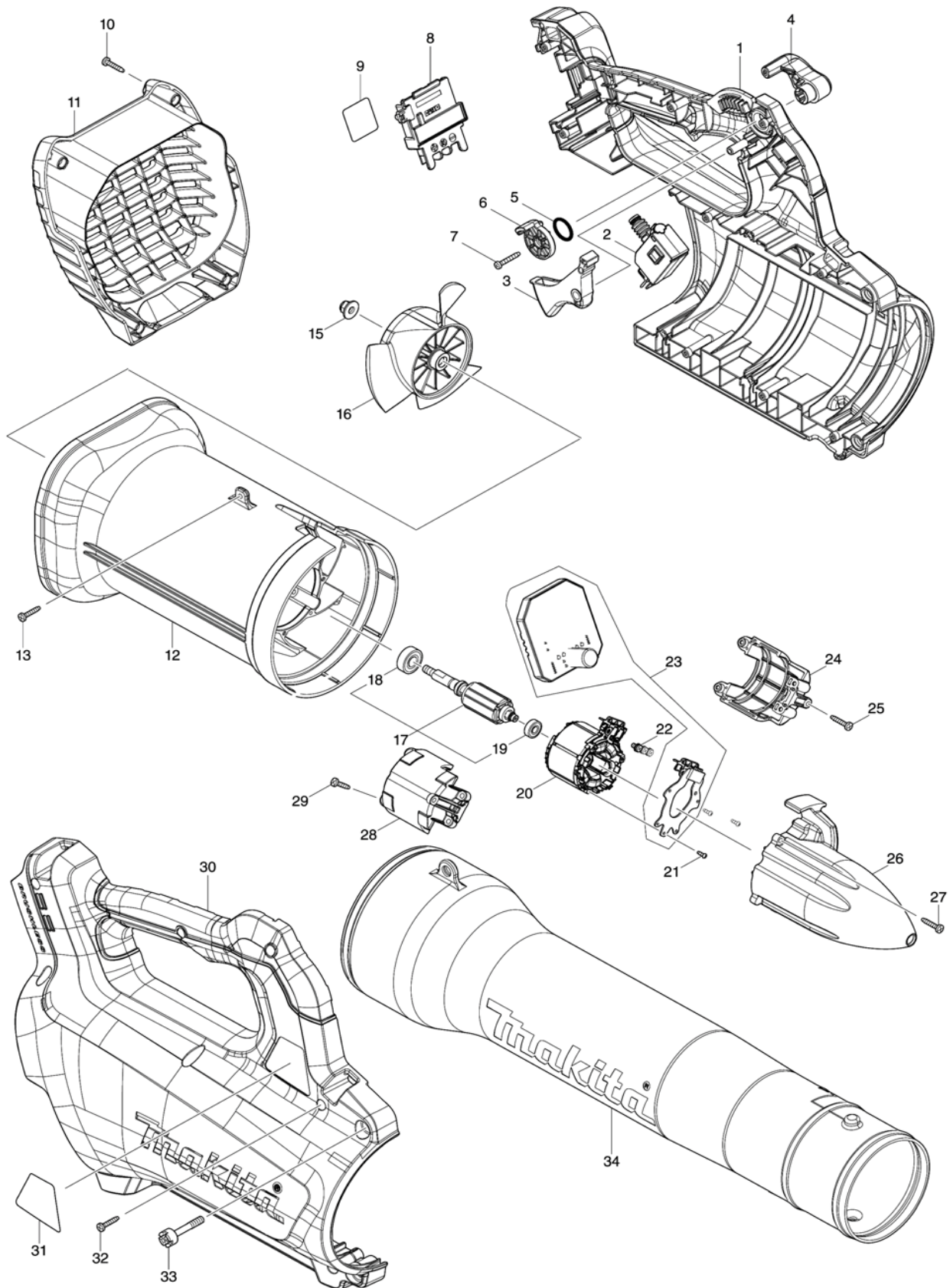


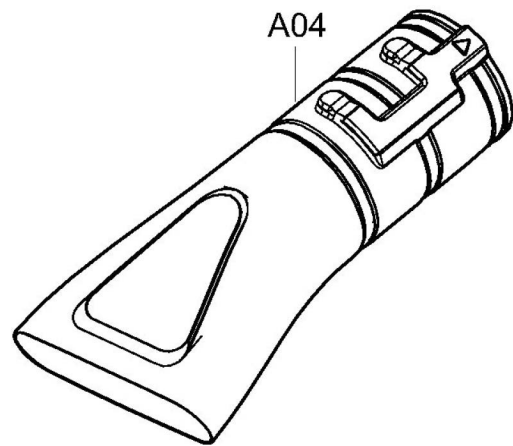
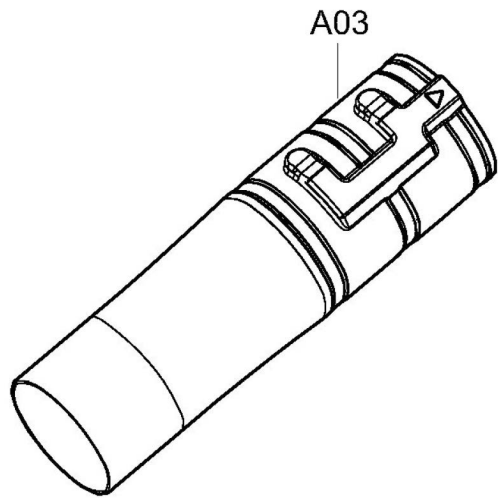
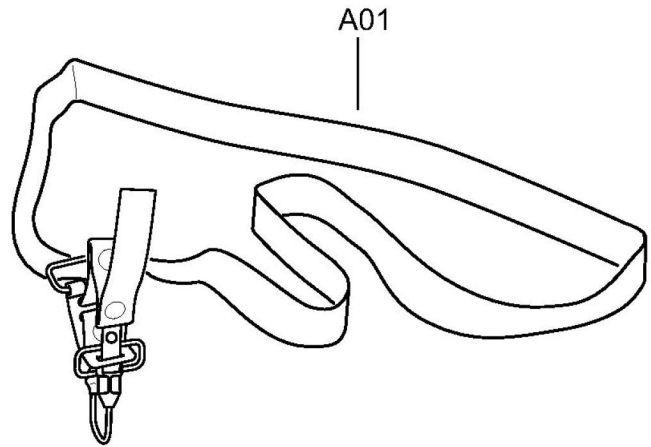


XBU03



Products with multiple versions are listed in subsiding order with the newest version on top not indented.

Section	Fig. No.	Part No.	Description	XBU03	Tech Bulletin	Notes
1 1		183N87-2	HOUSING SET	1		
1 1		183M73-7	HOUSING SET	1		
1 2		651395-0	SWITCH C3JW-6B-PA6N	1		
1 3		459696-8	SWITCH LEVER	1		
1 4		459697-6	CONTROL LEVER	1		
1 5		213154-6	O RING 14	1		
1 6		459698-4	LINK	1		
1 7		266127-8	+ TAPPING SCREW PT 3X20	1		
1 8		643874-2	TERMINAL	1		
1 10		266130-9	TAPPING SCREW BIND PT 3X16	4		
1 11		459699-2	REAR COVER	1		
1 12		459695-0	FAN HOUSING	1		
1 13		266130-9	TAPPING SCREW BIND PT	3		
1 15		252286-4	COLLARED HEX.LOCK NUT M5-8	1		
1 16		240177-1	FAN 110	1		
1 17		519580-0	ROTOR ASS'Y	1		INC. 18,19
1 18		210040-2	BALL BEARING 698LLU	1		
1 19		211157-4	BALL BEARING 695ZZ	1		
1 20		629292-8	STATOR	1		
1 21		266490-9	TAPPING SCREW PT 2X6	3		
1 22		652069-6	FLAT HEAD SCREW M3X6	3		
1 23		620B76-9	CONTROLLER	1		
1 24		183M64-8	MOTOR HOUSING SET	1		
1 25		266130-9	TAPPING SCREW BIND PT 3X16	2		
1 26		459700-3	CAP	1		
1 27		266130-9	TAPPING SCREW BIND PT 3X16	2		
1 28		183M64-8	MOTOR HOUSING SET	1		INC. 24
1 29		266130-9	TAPPING SCREW BIND PT 3X16	4		
1 30		183N87-2	HOUSING SET	1		
1 30		183M73-7	HOUSING SET	1		INC. 1
1 32		266130-9	TAPPING SCREW BIND PT 3X16	9		
1 33		251570-4	HEX.SOCKET HEAD BOLT M5X30	2		
1 34		459701-1	FRONT NOZZLE	1		



Products with multiple versions are listed in subsiding order with the newest version on top not indented.

Section	Fig. No.	Part No.	Description	XBU03	Tech Bulletin	Notes
2	A01	166094-6	SHOULDER STRAP	1		
2	A02	191L13-5	CONCENTRATOR NOZZLE	1		NOT PICTURED
2	A03	197888-8	EXTENSION NOZZLE	1		
2	A04	197889-6	FLAT NOZZLE	1		