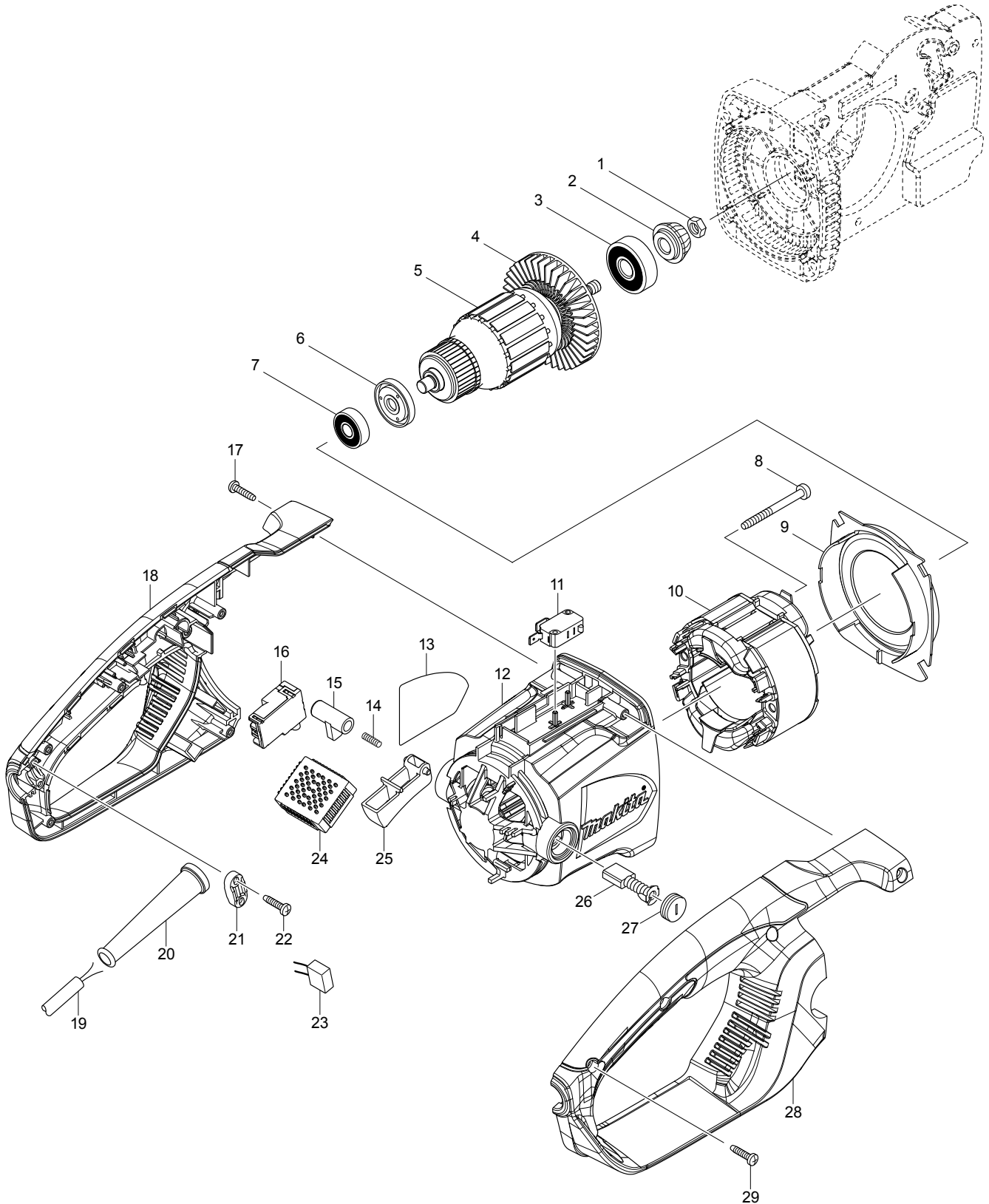


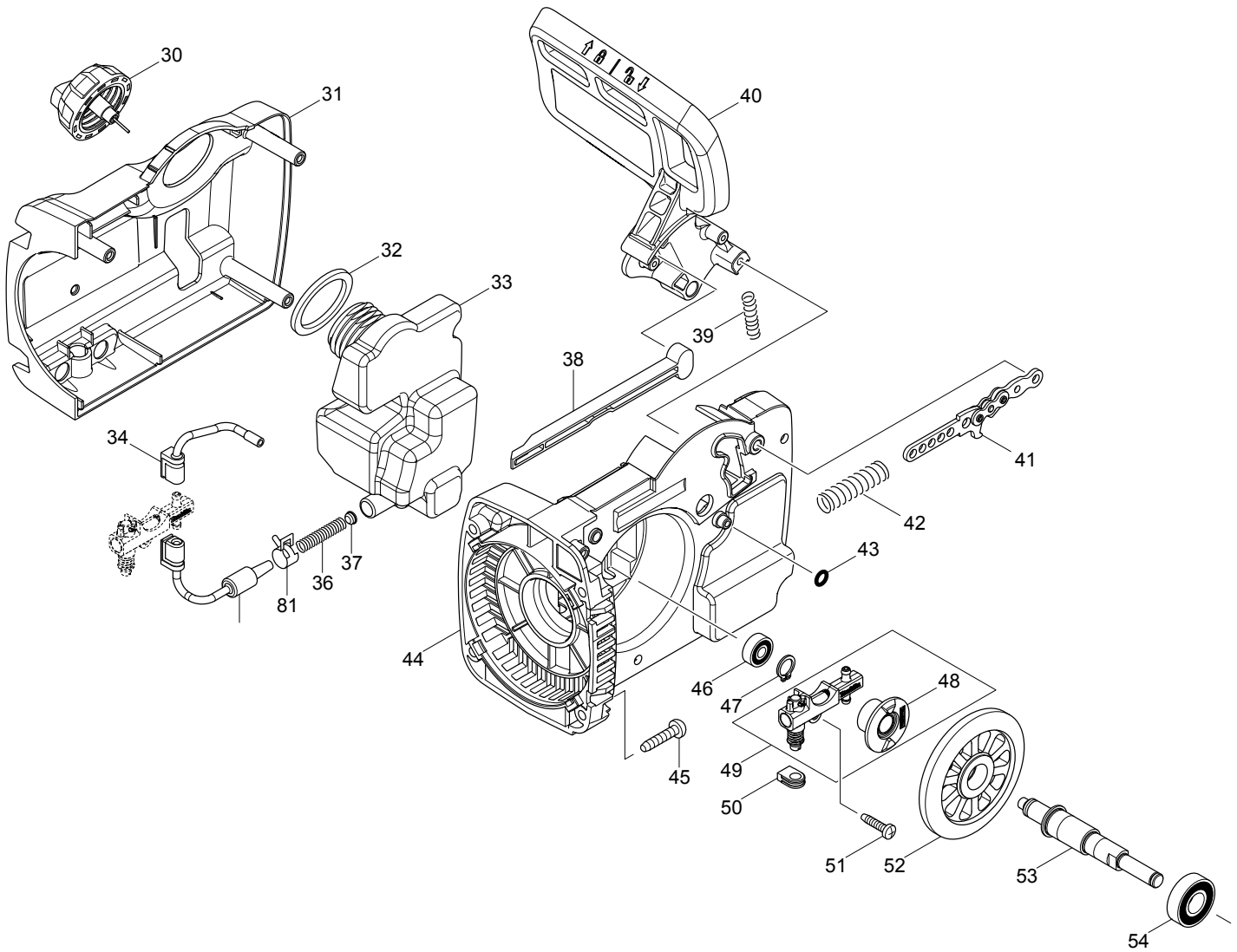


UC3551A
UC4051A
ES-174



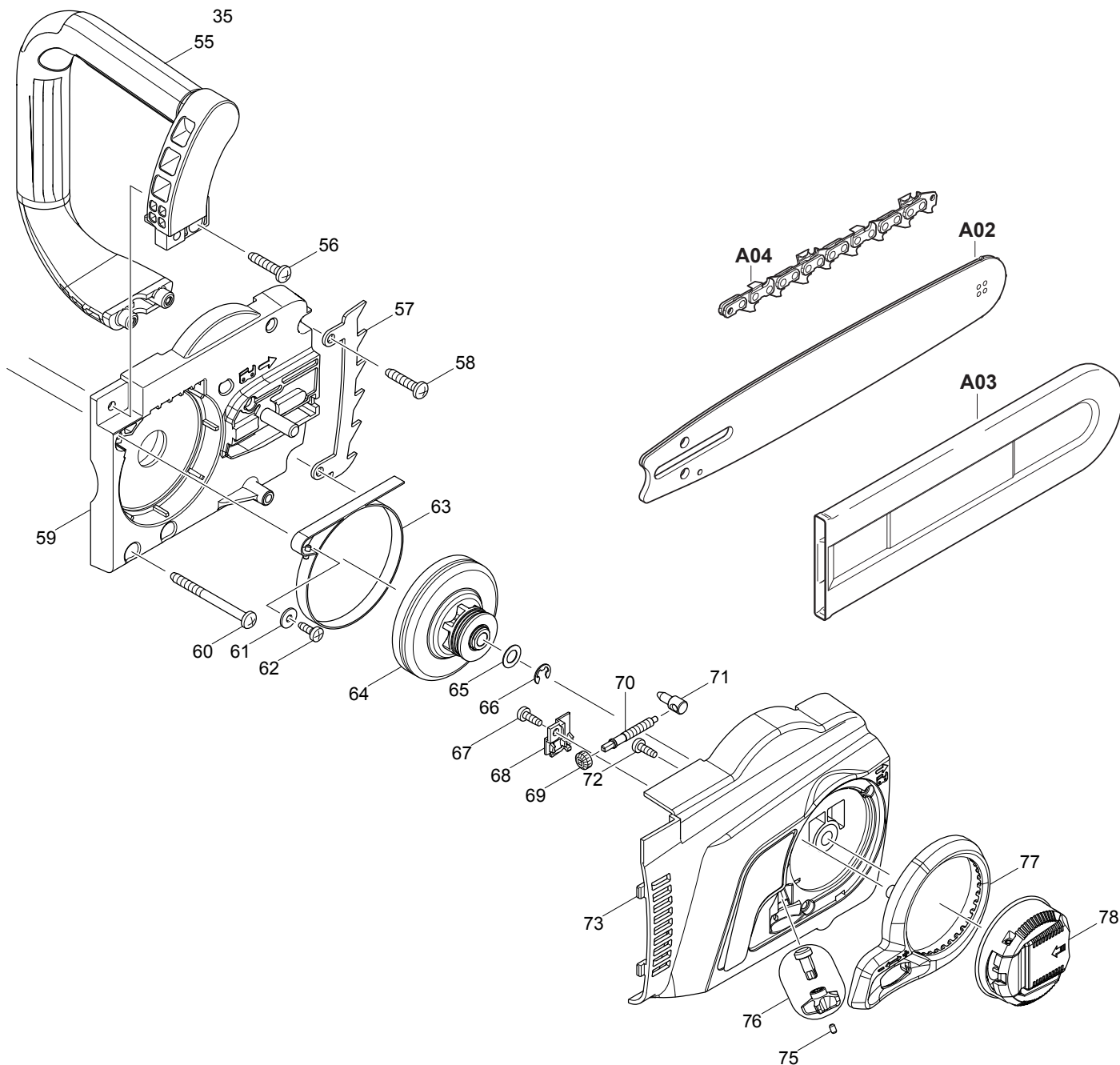
Products with multiple versions are listed in subsiding order with the newest version on top not indented.

Section	Fig. No.	Part No.	Description	UC3551A	UC4051A	ES-174	Tech Bulletin	Notes
1	1	931403-6	HEX. NUT M8	1	1	1		
1	2	227626-5	SPIRAL BEVEL GEAR 12	1	1	1		
1	3	211111-8	BALL BEARING 6301LLB	1	1	1		
1	4	240003-4	FAN 80	1	1	1		
1	5	517901-0	ARMATURE ASS'Y 115V	1	1	1		INC. 3,4,6,7
1	6	681666-1	INSULATION WASHER	1	1	1		
1	7	210084-2	BALL BEARING 629ZZ	1	1	1		
1	8	266095-5	TAPPING SCREW 5X55	2	2	2		
1	9	419410-4	BAFFLE PLATE	1	1	1		
1	10	636386-2	FIELD 115V	1	1	1		
1	11	650577-1	SWITCH SD-006-BB2AA-AA	1	1	1		
1	12	142348-5	MOTOR HOUSING COMPLETE	1	1			
1	12	142349-3	MOTOR HOUSING COMPLETE			1		
1	12	643653-8	BRUSH HOLDER 6.5-13.5	2	2	2		
1	14	233173-6	COMPRESSION SPRING 4	1	1	1		
1	15	416178-3	LOCK-OFF BUTTON	1	1	1		
1	16	650717-1	SWITCH TGC30B	1	1	1		
1	17	265995-6	TAPPING SCREW 4X18	1	1	1		
1	18	187915-9	HANDLE SET	1	1	1		
1	18	802G48-8	CAUTION LABEL	1	1	1		INC. 28
1	19	664980-0	POWER SUPPLY CORD #14-2-0.3	1	1	1		
1	20	682574-9	CORD GUARD 10-90	1	1	1		
1	21	687124-5	STRAIN RELIEF	1	1	1		
1	22	265995-6	TAPPING SCREW 4X18	2	2	2		
1	24	631720-1	CONTROLLER	1	1	1		
1	25	419411-2	SWITCH LEVER	1	1	1		
1	26	CB154	CARBON BRUSH CB-154	1	1	1		
1	27	643650-4	BRUSH HOLDER CAP 6.5-13.5	2	2	2		
1	28	187915-9	HANDLE SET	1	1	1		
1	28	802G48-8	CAUTION LABEL	1	1	1		INC. 18
1	29	265995-6	TAPPING SCREW 4X18	6	6	6		



Products with multiple versions are listed in subsiding order with the newest version on top not indented.

Section	Fig. No.	Part No.	Description	UC3551A	UC4051A	ES-174	Tech Bulletin	Notes
2	30	142282-9	TANK CAP COMPLETE	1	1	1		
2	31	142452-0	GEAR HOUSING COVER COMPLETE	1	1	1		
2	31	802G49-6	CAUTION LABEL	1	1	1		
2	32	421959-2	SPONGE SEAL	1	1	1		
2	33	454826-6	OIL TANK	1	1	1		
2	34	424611-1	CONNECTOR B	1	1	1		
2	35	424610-3	CONNECTOR A	1	1	1		
2	36	231975-4	SPRING	1	1	1		
2	37	416274-7	CAP	1	1	1		
2	38	454825-8	ROD	1	1	1		
2	39	233174-4	COMPRESSION SPRING 6	1	1	1		
2	40	142449-9	FRONT HAND GUARD COMPLETE	1	1	1		
2	40	802G47-0	INDICATION LABEL	1	1	1		
2	41	158044-5	LINK PLATE COMPLETE	1	1	1		
2	42	234005-0	COMPRESSION SPRING 9	1	1	1		
2	43	213017-6	O RING 6	1	1	1		
2	44	454821-6	GEAR HOUSING	1	1	1		
2	45	266041-8	TAPPING SCREW 5X25	4	4	4		
2	46	211012-0	BALL BEARING 606ZZ	1	1	1		
2	46	210028-2	BALL BEARING 606ZZ	1	1	1		
2	47	961006-2	RETAINING RING S-10	1	1	1		
2	48	221427-3	WORM GEAR	1	1	1		
2	49	142156-4	OIL PUMP SET	1	1	1		INC. 48
2	49	196419-0	OIL PUMP SET	1	1	1		INC. 48
2	50	424612-9	GROMMET	1	1	1		
2	51	265995-6	TAPPING SCREW 4X18	1	1	1		
2	52	227627-3	SPIRAL BEVEL GEAR 37	1	1	1		
2	53	326373-6	SPINDLE	1	1	1		
2	54	210107-6	BALL BEARING 6001ZZ	1	1	1		
2	81	324685-1	HOSE CLAMP	1	1	1		



Products with multiple versions are listed in subsiding order with the newest version on top not indented.

Section	Fig. No.	Part No.	Description	UC3551A	UC4051A	ES-174	Tech Bulletin	Notes
3	55	454823-2	FRONT HANDLE	1	1	1		
3	56	266041-8	TAPPING SCREW 5X25	2	2	2		
3	57	345651-5	SPIKE BUMPER	1	1	1		
3	58	266041-8	TAPPING SCREW 5X25	2	2	2		
3	59	319091-3	BEARING HOUSING	1	1	1		
3	60	266044-2	TAPPING SCREW 5X60	2	2	2		
3	61	267195-4	FLAT WASHER 4	1	1	1		
3	62	266026-4	TAPPING SCREW BIND CT 4X12	1	1	1		
3	63	168426-3	BRAKE BAND	1	1	1		
3	64	125331-7	BRAKE DRUM ASSEMBLY	1	1	1		
3	65	253215-0	FLAT WASHER 8	1	1	1		
3	66	259033-4	RETAINING RING E TYPE 6	1	1	1		
3	67	266427-6	TAPPING SCREW 4X12	1	1	1		
3	68	454818-5	COVER	1	1	1		
3	69	227496-2	STRAIGHT BEVEL GEAR 14	1	1	1		
3	70	326372-8	ADJUST SCREW	1	1	1		
3	71	326310-0	ADJUST PIN	1	1	1		
3	72	266427-6	TAPPING SCREW 4X12	3	3	3		
3	73	142342-7	SPROCKET COVER COMPLETE	1	1	1		
3	75	263002-9	RUBBER PIN 4	1	1	1		
3	76	142665-3	DRIVE GEAR COMPLETE	1	1	1		
3	77	454819-3	NUT COVER	1	1	1		
3	78	142235-8	NUT COMPLETE	1	1	1		
3	79	183B54-5	SIDE COVER COMPLETE	1	1	1		
3	A02	165201-8	GUIDE BAR 14"	1				
3	A02	442-040-661	GUIDE BAR 16"		1			
3	A02	412-040-661	GUIDE BAR			1		
3	A03	952-010-630	CHAIN COVER	1	1			
3	A03	952-010-130	CHAIN COVER			1		
3	A04	196207-5	14" SAW CHAIN	1				
3	A04	196208-3	16" SAW CHAIN		1	1		
3	A01	158024-1	HOOK COMPLETE	1	1	1		Not Pictured