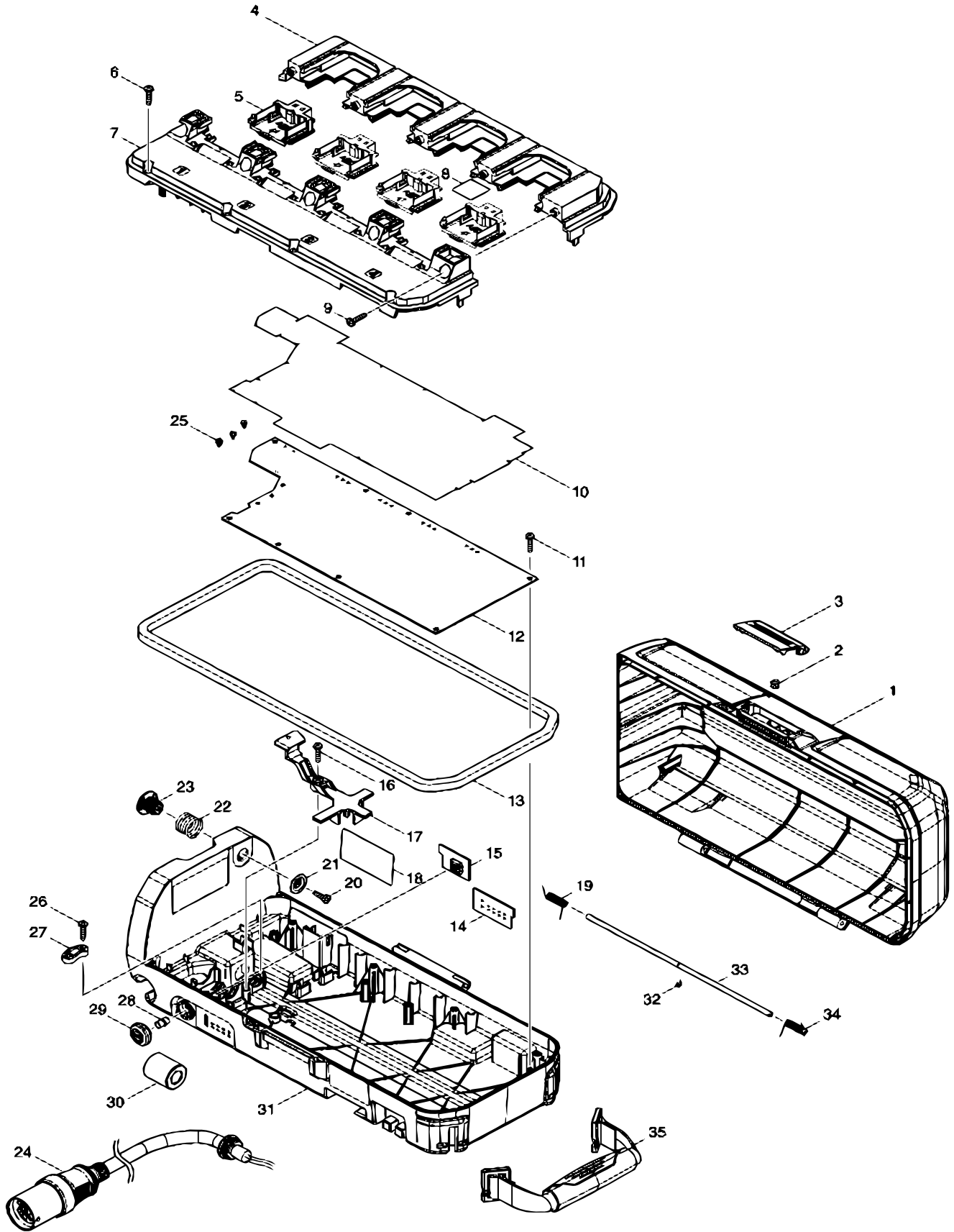




PDC01



Products with multiple versions are listed in subsiding order with the newest version on top not indented.

Section	Fig. No.	Part No.	Description	PDC01	Tech Bulletin	Notes
1	1	140M87-9	COVER COMPLETE	1		
1	2	232537-1	COMPRESSION SPRING 7	1		
1	3	459465-7	LATCH A	1		
1	4	183M63-0	TERMINAL HOUSING SET	1		INC. 7
1	5	643540-1	TERMINAL	4		
1	6	266326-2	TAPPING SCREW 4X18	8		
1	7	183M63-0	TERMINAL HOUSING SET	1		INC. 4
1	9	266326-2	TAPPING SCREW 4X18	5		
1	10	680398-7	POLYCARBONATE SHEET	1		
1	11	266326-2	TAPPING SCREW 4X18	8		
1	12	620B46-8	CONTROLLER	1		
1	13	422468-4	PACKING	1		
1	14	620B50-7	INDICATION CIRCUIT	1		
1	15	620B51-5	SWITCH CIRCUIT	1		
1	16	266326-2	TAPPING SCREW 4X18	1		
1	17	459532-8	CORD COVER	1		
1	19	232536-3	TORSION SPRING 5	1		
1	20	266385-6	TAPPING SCREW 4X14	1		
1	21	253444-5	CUP WASHER4	1		
1	22	232538-9	COMPRESSION SPRING 19	1		
1	23	459471-2	LOCK BUTTON	1		
1	24	699154-4	POWER SUPPLY CORD UNIT	1		
1	25	652069-6	FLAT HEAD SCREW M3X6	3		
1	26	266326-2	TAPPING SCREW 4X18	2		
1	27	687149-9	STRAIN RELIEF	1		
1	28	459470-4	SWITCH PIN	1		
1	29	422469-2	SWITCH BUTTON	1		
1	30	688233-3	LINE FILTER	1		
1	31	140M86-1	FRAME COMPLETE	1		
1	32	961017-7	STOP RING E-3	1		
1	33	256883-8	ROD 4	1		
1	34	232541-0	TORSION SPRING 5	1		

Products with multiple versions are listed in subsiding order with the newest version on top not indented.

Section	Fig. No.	Part No.	Description	PDC01	Tech Bulletin	Notes
1	35	162658-4	HANDLE COMPLETE	1		
1	A01	127347-8	HARNESS ASSEMBLY	1	D5596	NOT PICTURED
1	A02	191J51-5	X2 (36V) ADAPTER SET	1		NOT PICTURED
1	A02	191J50-7	(18V) ADAPTER SET	1		NOT PICTURED