

## OFF / Brightness

OFF 4x



OFF 3x



2s



## Transportation Lock



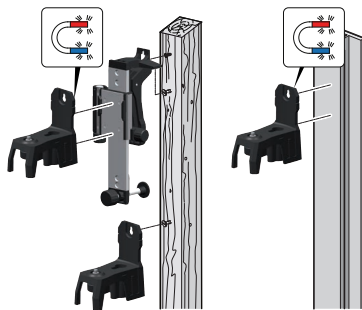
[www.makita.com](http://www.makita.com)

	<b>LASER</b> 2	
IEC 60825-1:2014	A=525nm Pmax<1mW tp=45-70µs	

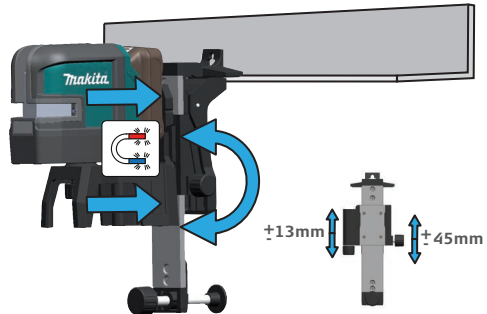
## Adapter setup



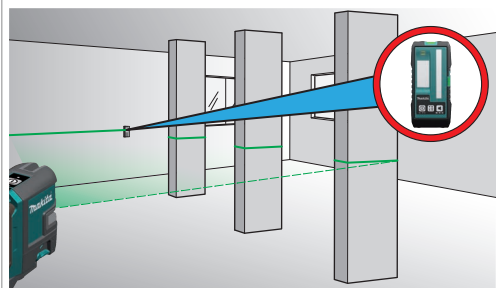
## Adapter and wall mount setup



## Usable with wall mount



## Usable with Receiver



# SK106GD

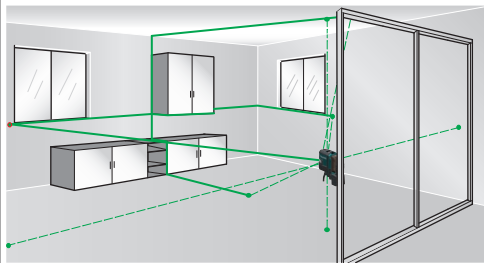


**Makita**  
[www.makita.com](http://www.makita.com)

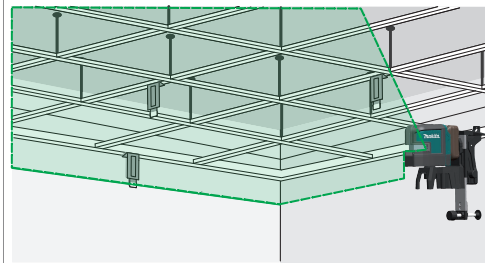
### Insert Makita battery (optional)



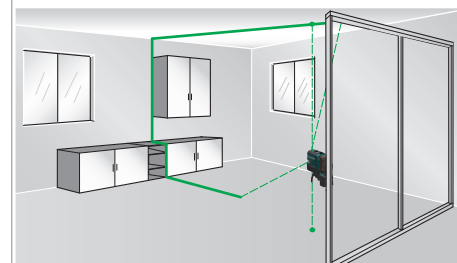
### ① 1x - Laser on



### ① 2x - Horizontal mode



### ① 3x - Vertical mode



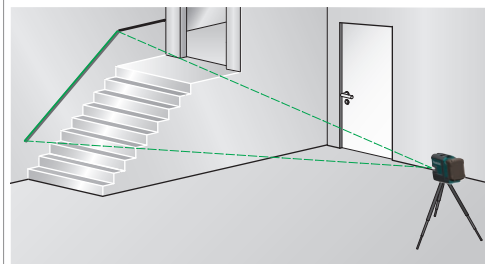
### External power supply



### Self levelling / Levelling lock



### 🔒 ① 1x ——— ① 2x |



### Status LED

