

OFF / Brightness

OFF 4x



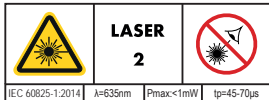
OFF 3x



Transportation Lock



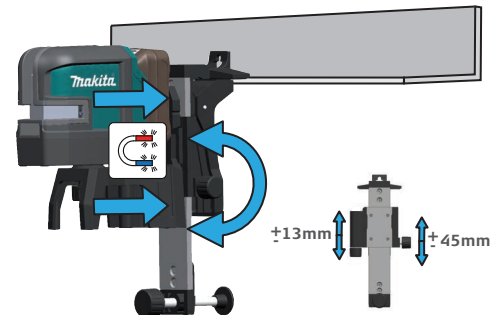
www.makita.com



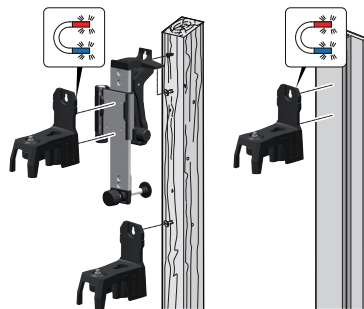
Adapter setup



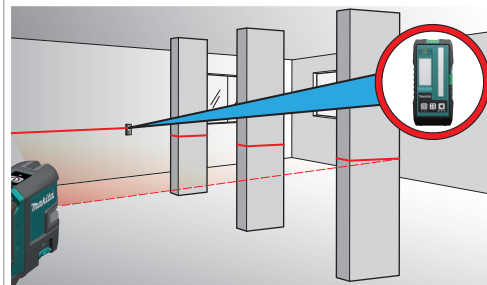
Usable with wall mount



Adapter and wall mount setup



Usable with Receiver



SK106D

Status LED

ON / Set key

Battery
(optional)

Window vertical line

Window horizontal line

Levelling lock

Transportation lock

Tripod thread 1/4"

Window of plumbing

DC jack

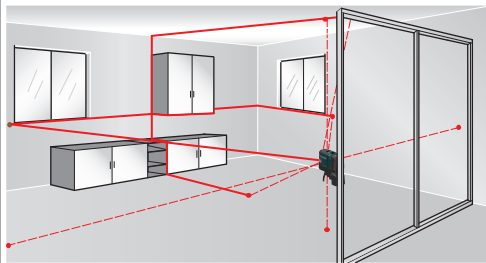


www.makita.com

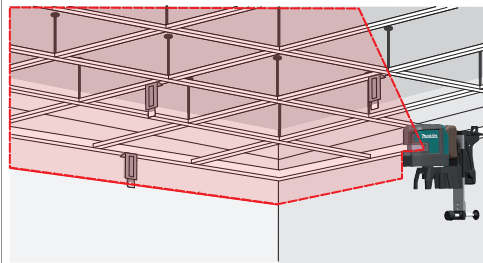
Insert Makita battery (optional)



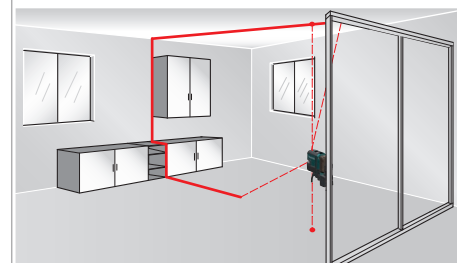
1x - Laser on



2x - Horizontal mode



3x - Vertical mode



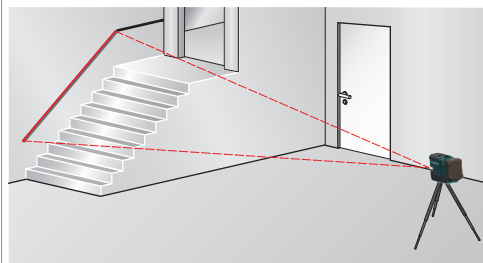
External power supply



Self levelling / Levelling lock



1x — 2x



Status LED

