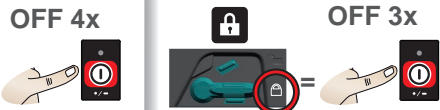
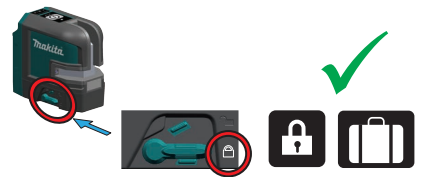


OFF / Brightness



Transportation Lock



www.makita.com



LASER
2

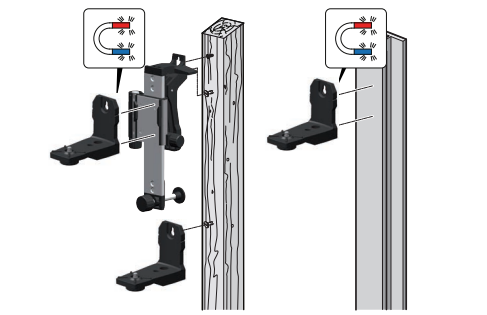


IEC 60825-1:2014 A=635nm Pmax<1mW tp=45-70µs

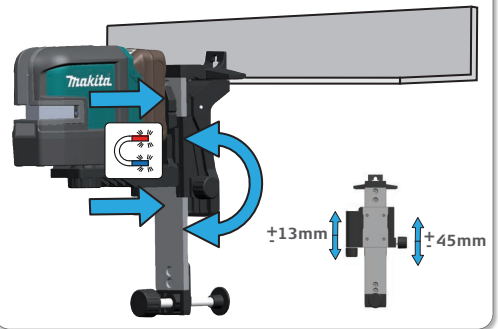
Adapter setup



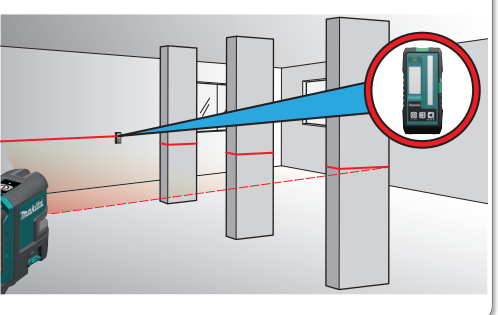
Adapter and wall mount setup



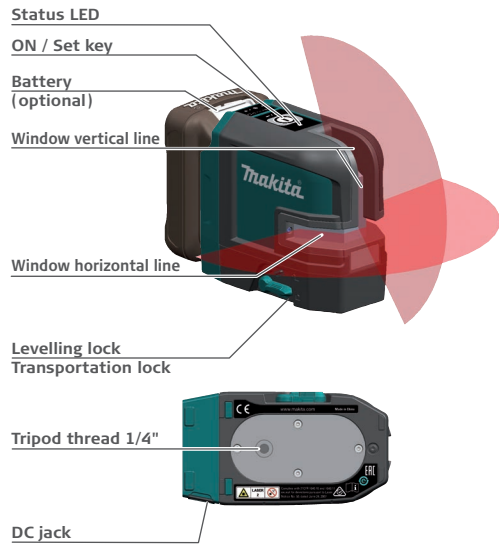
Usable with wall mount



Usable with Receiver



SK105D

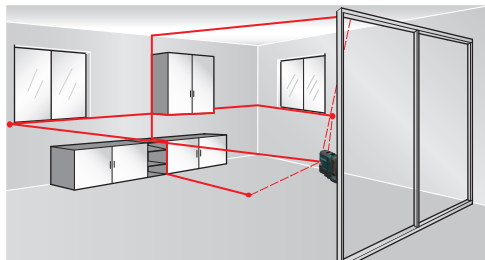


Makita
www.makita.com

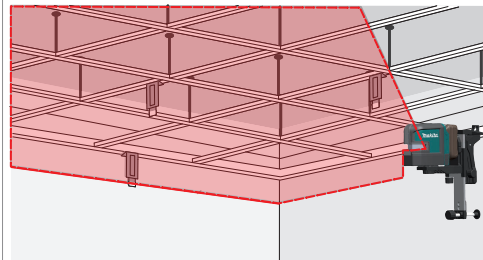
Insert Makita battery (optional)



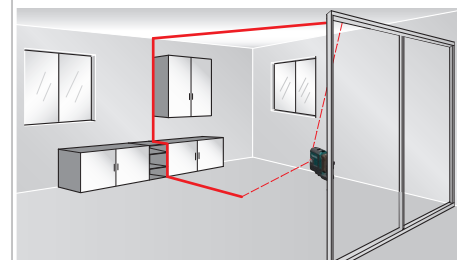
① 1x - Laser on



① 2x - Horizontal mode



① 3x - Vertical mode



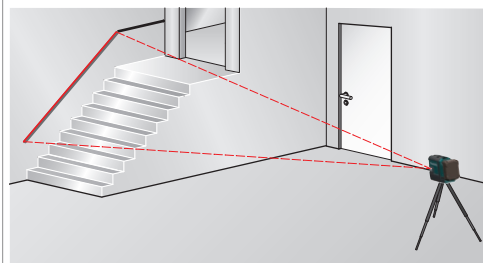
External power supply



Self levelling / Levelling lock



🔒 ① 1x ——— ① 2x |



Status LED

