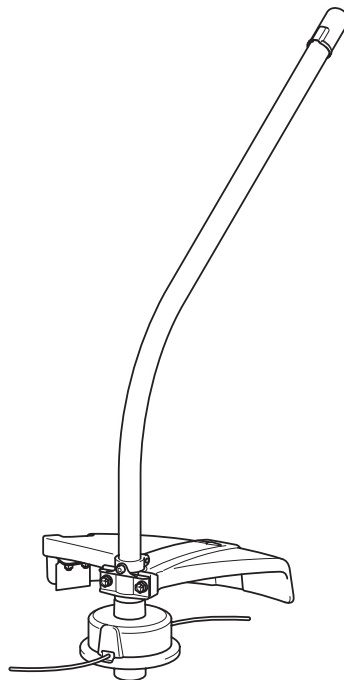




Owner's and Safety Manual for String Trimmer Attachment

Manuel d'emploi et de sécurité de la Tête Coupe Herbe

Manual de empleo y de seguridad para Accesorio para Desbrozadora



ER400MP

⚠ Warning: Before use, read this booklet and the instruction manual of the power unit. Failure to follow the warnings and instructions may cause serious or fatal injury.

⚠ Avertissement : Avant toute utilisation, veuillez lire ce mode d'emploi et le manuel d'instructions du groupe moteur. L'ignorance des avertissements et des instructions comporte un risque de blessure grave ou mortelle.

⚠ Advertencia: Antes de usar lea este folleto, así como el manual de instrucciones del equipo motorizado. No seguir las advertencias e instrucciones puede que resulte en lesiones graves o mortales.

Foreword

Thank you very much for purchasing Makita string trimmer attachment. This attachment is designed to be mounted on Makita power unit mentioned in this instruction manual. Before use, please read this booklet and the instruction manual of the power unit. They will assist you to obtain the best possible result from your Makita string trimmer attachment.

Table of Contents	Page
Foreword	2
Symbols	2
Approved power unit.....	2
Part description.....	3
Safety precautions.....	3
Assembly and adjustment	5
Operation.....	5
Inspection and maintenance.....	5
Storage.....	6
Maintenance schedule.....	7
Troubleshooting.....	7
Technical data.....	7

Symbols

The following symbols are used on the attachment and this instruction manual. Understand these definitions.



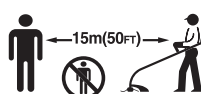
Read and follow the instruction manual.



Take particular care and attention!



Wear protective helmet, eye and ear protection.



Keep a distance of at least 15 m (50 ft) between the equipment and bystanders.



Beware of thrown objects.



Never use metal blades.



Top permissible tool speed



First Aid

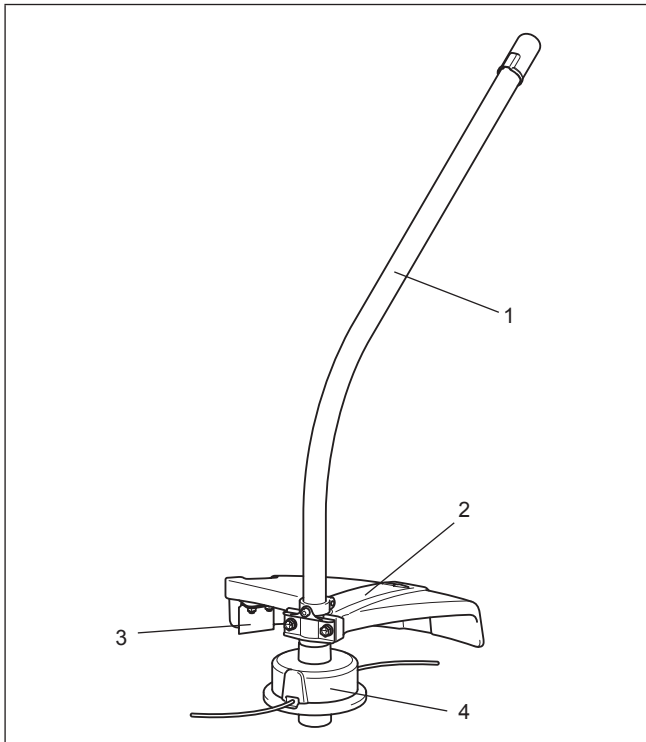
Approved power unit

This attachment is approved to use only with the following power unit(s):

EX2650LH Multi Function Power Head

⚠ WARNING: Never use the attachment with non-approved power unit. Non-approved combination may cause serious injury.

Part description



The numbers below refer to the figure

1. Shaft
2. Protector (Cutting tool guard)
3. Cord cutter
4. Nylon cutting head (String trimmer head)

Safety precautions

⚠ WARNING: Read all safety warnings and all instructions in this booklet and the instruction manual of the power unit. Failure to follow the warnings and instructions may result in electric shock, fire and/or serious injury.

Save all warnings and instructions for future reference.

The term “string trimmer” and “equipment” in the warnings and precautions refer to the combination of the attachment and the power unit.

Intended use

- This attachment is designed only for the purpose of trimming grass and light weed in conjunction with an approved power unit. Never use the attachment for the other purpose. Abusing the attachment may cause serious injury.

General precautions

- Before starting the string trimmer, read this booklet and the instruction manual of the power unit to become familiar with the handling of the string trimmer.
- Do not lend the attachment to a person with insufficient experience or knowledge regarding handling of string trimmers.
- When lending the attachment, always attach this instruction manual.
- Do not allow children or young persons under 18 years old to use the string trimmer. Keep them away from the string trimmer.
- Handle the string trimmer with the utmost care and attention.
- Never use the string trimmer after consuming alcohol or drugs, or if feeling tired or ill.
- Never attempt to modify the attachment.
- Follow the regulations about handling of string trimmers in your country.

Personal protective equipment

- Wear safety helmet, protective goggles and protective gloves to protect yourself from flying debris or falling objects.



- Wear ear protection such as ear muffs to prevent hearing loss.
- Wear proper clothing and shoes for safe operation, such as a work overall and sturdy, non-slip shoes. Do not wear loose clothing or jewelry. Loose clothes, jewelry or long hair can be caught in moving parts.

Work area safety

- Operate the equipment under good visibility and daylight conditions only. Do not operate the equipment in darkness or fog.
- Start and operate the engine only outdoors in a well ventilated area. Operation in a confined or poorly ventilated area can result in death due to suffocation or carbon monoxide poisoning.
- During operation, never stand on an unstable or slippery surface or a steep slope. During the cold season, beware of ice and snow and always ensure secure footing.
- During operation, keep bystanders or animals at least 15 m away from the equipment. Stop the engine as soon as someone approaches.
- Before operation, examine the work area for stones or other solid objects. They can be thrown and cause injury or property damage.
- **⚠ WARNING:** Use of this product can create dust containing chemicals which may cause respiratory or other illnesses. Some examples of these chemicals are compounds found in pesticides, insecticides, fertilizers and herbicides. Your risk from these exposures varies, depending on how often you do this type of work. To reduce your exposure to these chemicals, work in a well ventilated area, and work with approved safety equipment, such as those dust masks that are specially designed to filter out microscopic particles.

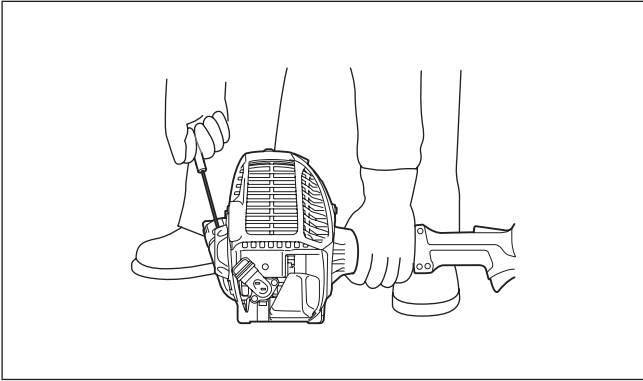
Putting into operation

- Before assembling or adjusting the equipment, switch off the engine and remove the spark plug.
- Before starting the engine, inspect the equipment for damages, loose screws/nuts or improper assembly. Check all control levers and switches for easy action. Clean and dry the handles.
- Never attempt to start the engine if the equipment is damaged or not fully assembled. Otherwise serious injury may result.
- Adjust the shoulder harness and hand grip to suit the operator's body size.

Starting engine

- Wear the personal protective equipments before starting the engine.
- Start the engine at least 3 meters (10 feet) away from the fueling spot.
- Before starting the engine, make sure that there is no person or animal in the work area.
- When starting the engine, keep the rotating parts clear of your body and other object, including the ground. They may rotate when starting and may cause injury or damage to the equipment and/or property.
- Place the equipment on firm ground. Maintain good balance and secure footing.

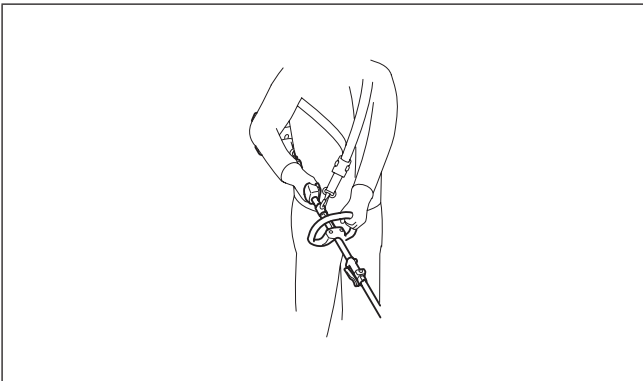
- When pulling the starter knob, hold the power unit firmly against the ground by your left hand. Never step on the drive shaft of the power unit.



- Follow the instruction manual of the power unit for starting the engine.
- If the nylon cutting head rotates at idle, stop the engine and adjust the idle speed down.

Operation

- In the event of an emergency, switch off the engine immediately.
- If you feel any unusual condition (e.g. noise, vibration) during operation, switch off the engine. Do not use the equipment until the cause is recognized and solved.
- The cutting attachment continues to move for a short period after releasing the throttle trigger or switch off the engine. Don't rush to contact it.
- With the engine running only at idle, attach the shoulder harness.
- During operation, use the shoulder harness. Keep the equipment on your right side firmly.



- Hold the front handle with the left hand and the rear grip with the right hand, no matter you are right-hander or left-hander. Wrap your fingers and thumbs around the handles.
- Never attempt to operate the equipment with one hand. Loss of control may result in serious or fatal injury. To reduce the risk of injury, keep your hands and feet away from the cutting attachment.
- Do not overreach. Keep proper footing and balance at all times. Watch for hidden obstacles such as tree stumps, roots and ditches to avoid stumbling.
- If the equipment gets heavy impact or fall, check the condition before continuing work. Check the fuel system for fuel leakage and the controls and safety devices for malfunction. If there is any damage or doubt, ask Makita authorized service center for the inspection and repair.
- Take a rest to prevent loss of control caused by fatigue. We recommend to take a 10 to 20-minute rest every hour.
- When you leave the equipment, even if it is a short time, always switch off the engine. The equipment unattended with the engine running may be used by unauthorized person and cause serious accident.
- Follow the instruction manual of the power unit for proper use of the control lever and switch.
- During or after operation, do not put the hot equipment onto dry grass or combustible materials.
- Never attach cutting blades. Blade contact may result in serious injury.

- If grass or branches get caught between the cutting tool and guard, always stop the motor and remove the spark plug cap or the battery cartridge before cleaning. Otherwise unintentional blade rotation may cause serious injury.
- Check the cutting attachment frequently during operation for cracks or damages. Before the inspection, switch off the engine and wait until the cutting attachment stops completely. Replace damaged cutting attachment immediately, even if it has only superficial cracks.

Vibration

- People with poor circulation who are exposed to excessive vibration may experience injury to blood vessels or the nervous system. Vibration may cause the following symptoms to occur in the fingers, hands or wrists: "Falling asleep" (numbness), tingling, pain, stabbing sensation, alteration of skin color or of the skin. If any of these symptoms occur, see a physician!
- To reduce the risk of "white finger disease", keep your hands warm during operation and well maintain the equipment and accessories.

Transport

- Before transporting the equipment, switch off the engine and remove the spark plug cap.
- When transporting the equipment, carry it in a horizontal position by holding the shaft. Keep the hot muffler away from your body.
- When transporting the equipment in a vehicle, properly secure it to avoid turnover. Otherwise fuel spillage and damage to the equipment and other baggage may result.


Maintenance

- Have your equipment serviced by our authorized service center, always using only genuine replacement parts. Incorrect repair and poor maintenance can shorten the life of the equipment and increase the risk of accidents.
- Before doing any maintenance or repair work or cleaning the equipment, always switch off the engine and remove the spark plug. Wait until the engine gets cold.
- To reduce the risk of fire, never service the equipment in the vicinity of fire.
- Always clean dust and dirt off the equipment. Never use gasoline, benzene, thinner, alcohol or the like for the purpose. Discoloration, deformation or cracks of the plastic components may result.
- After each use, tighten all screws and nuts, except for the carburetor adjustment screws.
- Do not attempt any maintenance or repair not described in this booklet or the instruction manual of the power unit. Ask Makita authorized service center for such work.
- Always use Makita genuine spare parts and accessories only. Using parts or accessories supplied by a third party may result in the equipment breakdown, property damage and/or serious injury.
- Request Makita authorized service center to inspect and maintain the equipment at regular interval.

Storage

- Before storing the equipment, perform full cleaning and maintenance. Remove the spark plug. Drain the fuel after the engine gets cold.
- Store the equipment in a dry and high or locked location out of reach of children.
- Do not prop the equipment against something, such as a wall. Otherwise it may fall suddenly and cause an injury.

First aid

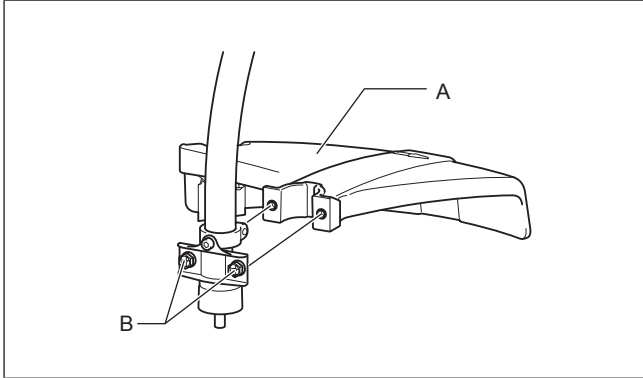
-  Always have a first-aid kit close by. Immediately replace any item taken from the first aid kit.
- When asking for help, give the following information:
 - Place of the accident
 - What happened
 - Number of injured persons
 - Nature of the injury
 - Your name

Assembly and adjustment

⚠ WARNING:

- Before assembling or adjusting the equipment, switch off the engine and remove the spark plug cap. Otherwise the cutting attachment or other parts may move and result in serious injury.
- When assembling or adjusting the equipment, always put it down. Assembling or adjusting the equipment in an upright position may result in serious injury.
- Follow the warnings and precautions in the chapter "Safety precautions" and the instruction manual of the power unit.

Mounting the protector

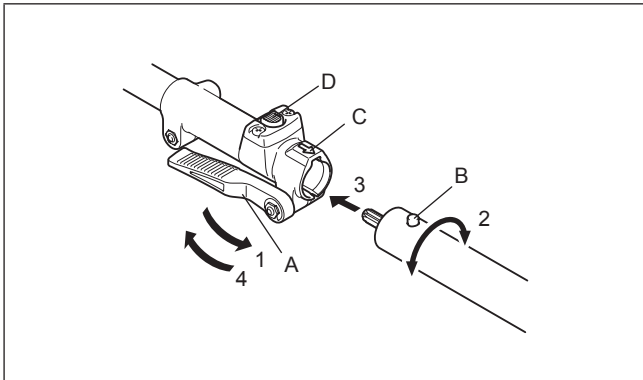


⚠ CAUTION: Do not touch the cord cutter on the protector. Touching the cord cutter with bare hands may result in injury.

The protector must be installed to maintain the nylon-cutting-cord length and protect the operator from thrown stones and debris. Install the protector as the following steps.

1. Set the protector (A) so that the rib on the shaft fits into the groove on the protector.
2. Tighten two bolts (B).

Mounting the attachment to a power unit



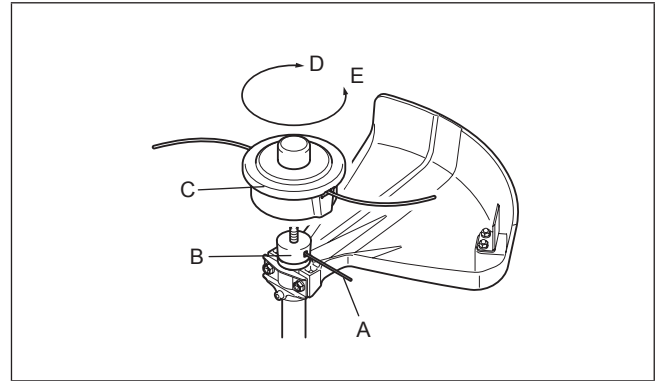
To mount the attachment to a power unit, follow the steps below.

1. Make sure that the lock lever (A) is not tightened.
2. Align the pin (B) with the arrow mark (C).
3. Insert the shaft into the drive shaft of the power unit until the release button (D) pops up.
4. Tighten the lock lever (A) firmly as shown.

To remove the attachment, loosen the lock lever, press the lock button and withdraw the shaft.

NOTICE: Do not tighten the lock lever (A) without the shaft of the attachment inserted. Otherwise the lock lever may tighten the entrance of the drive shaft too much and damage it.

Mounting a nylon cutting head



⚠ CAUTION: Do not touch the cord cutter on the protector. Touching the cord cutter with bare hands may result in injury. Mount a nylon cutting head as the following steps.

1. Insert the lock key (A) through the hole on the support washer (B). Rotate them with pushing the lock key in until they are locked.
 2. Screw a nylon cutting head (C) onto the shaft by turning it clockwise (D). Make sure that it is mounted securely.
 3. Remove the lock key (A).
- To remove the nylon cutting head, turn it counterclockwise (E).

Operation

⚠ WARNING:

- If the cutting attachment moves at idle, adjust the idle speed of the engine down. Otherwise you cannot stop the cutting attachment with throttle off and it may cause serious injury.
- Follow the warnings and precautions in the chapter "Safety precautions" and the instruction manual of the power unit.

During operation, use the tip of the nylon cutting cord for cut.

Feeding the nylon cutting cord

As the nylon cutting cord is worn and shortened with the cutting operation, the operator needs to feed it manually.

To feed the nylon cutting cord, tap the nylon cutting head on the ground while it rotates around 6,000 min⁻¹.

Note: If the nylon cutting cord does not feed out, rewind it. Refer to the chapter "Inspection and maintenance."

Inspection and maintenance

⚠ WARNING:

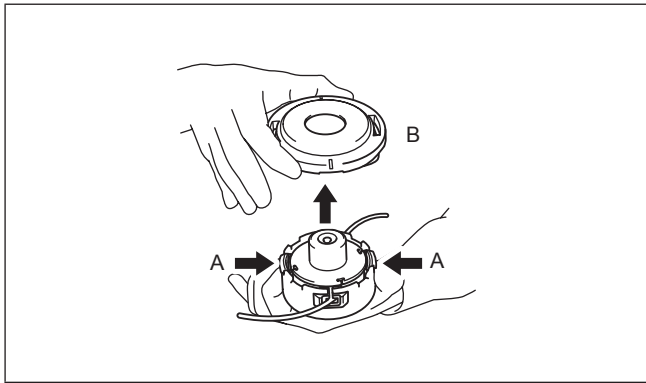
- Before inspecting or maintaining the equipment, switch off the engine and remove the spark plug cap. Otherwise the cutting attachment or other parts may move and result in serious injury.
- When inspecting or maintaining the equipment, always put it down. Assembling or adjusting the equipment in an upright position may result in serious injury.
- Follow the warnings and precautions in the chapter "Safety precautions" and the instruction manual of the power unit.

Rewinding the nylon cutting cord

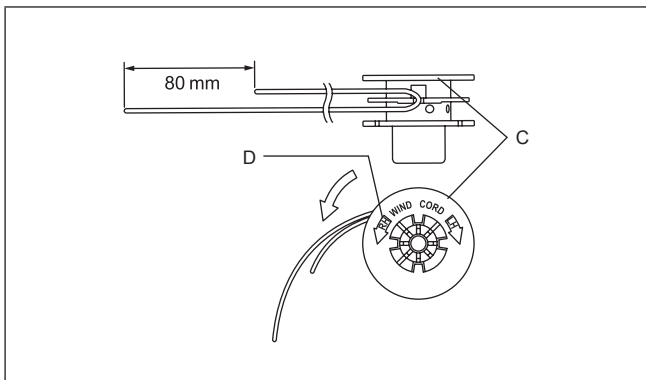
⚠ WARNING: After rewind the nylon cutting cord, make sure that the cover of the nylon cutting head is secured to the housing. Otherwise the nylon cutting head may fly apart and it may result in serious personal injury.

To rewind the nylon cutting cord, follow the steps below.

1. Press the latches (A) and remove the cover (B). Remove the remaining nylon cord.

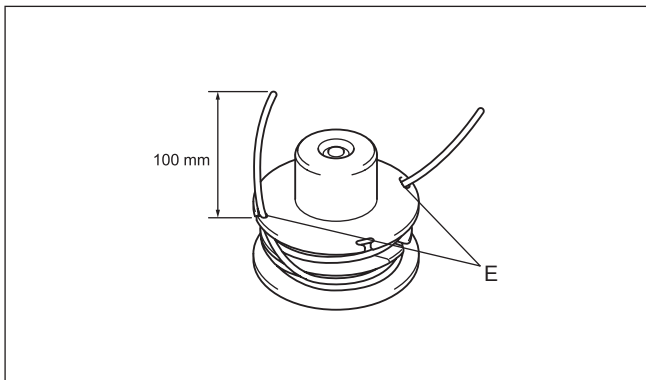


2. Hook the middle of the new nylon cord to the notch located at the center of the spool (C). One side of the cord should be about 80 mm longer than the other side.



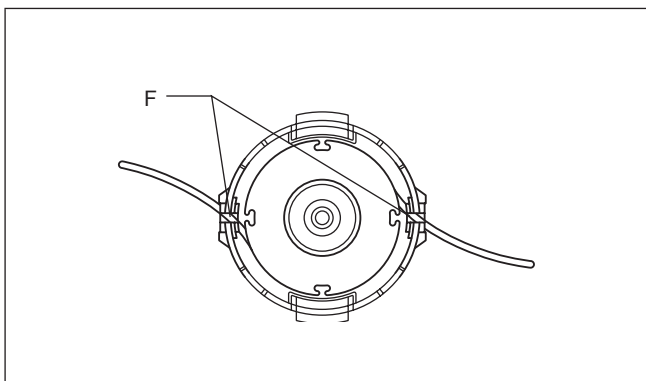
3. Wind both ends firmly around the spool in the direction of the "RH" arrow (D). "RH" indicates the winding direction for string trimmers with right hand rotation.

4. Wind all but about 100 mm of the cords. Hold the ends temporarily hooked through the notches (E).

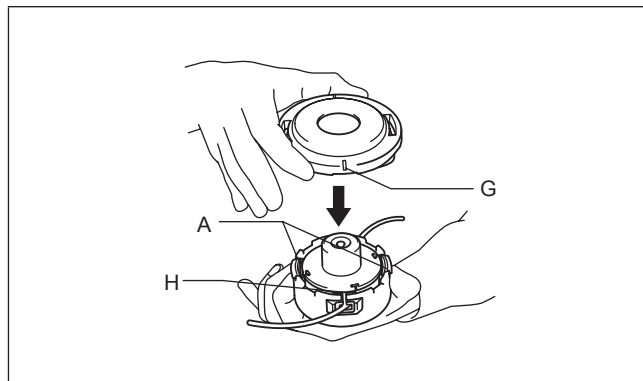


5. Set the spool into the housing so that the grooves and protrusions on the spool match up with those in the housing.

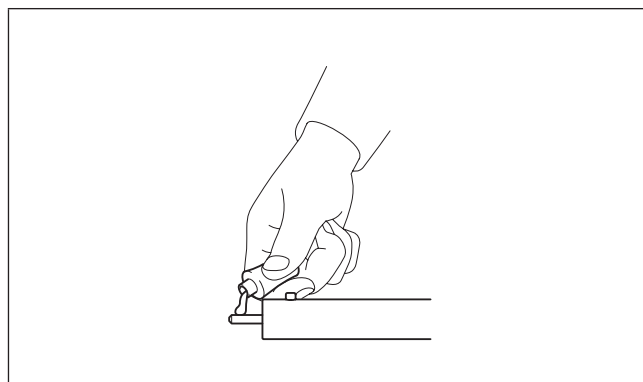
6. Unhook the ends of the cord from their temporary position and feed the cords through the eyelets (F) to come out of the housing.



7. Align the protrusion (G) on the underside of the cover with the slots (H) of the eyelets. Then push the cover firmly onto the housing to secure it. Make sure the latches (A) fully spread in the cover.



Lubricating moving parts



NOTICE: Follow the instruction of the frequency and amount of grease supplied. Otherwise insufficient lubrication may damage moving parts.

Drive axle:

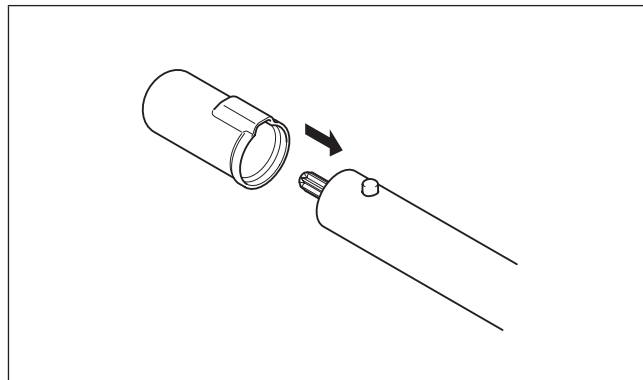
Apply grease (Shell Alvania No. 2 or equivalent) every 25 hours of operation.

Overall inspection

- Tighten loose bolts, nuts and screws.
- Check for damaged parts. Ask Makita authorized service center to replace them.

Storage

⚠ WARNING: Follow the warnings and precautions in the chapter "Safety precautions" and the instruction manual of the power unit.



When storing the string trimmer attachment separated from the power unit, put the cap onto the end of the shaft.

Maintenance schedule

Operating hour		Before Operation	25 h	Corresponding page
Whole unit	Visually inspect for damaged parts	○		6
All fixing screws and nuts	Tighten	○		6
Drive axle	Supply grease		○	6
Power unit	Refer to the instruction manual of the power unit			

Troubleshooting

Problem	Probable cause	Solution
The engine does not start.	Refer to the instruction manual of the power unit.	
The engine stops soon after its start.		
The maximum speed is limited.		
The cutting attachment does not rotate. → Stop the engine immediately!	The cutting attachment is not tightened securely.	Tighten the cutting attachment securely.
	A twig is caught between the cutting attachment and the protector.	Remove the foreign matter.
	The drive system does not work properly.	Ask Makita authorized service center to inspect and repair it.
The unit vibrates abnormally. → Stop the engine immediately!	The cutting attachment is broken.	Replace the cutting attachment with new one.
	The cutting attachment is not tightened securely.	Tighten the cutting attachment securely.
	One end of nylon cutting cord has been broken and the nylon cutting head got unbalanced.	Feed the nylon cutting cord with tapping the nylon cutting head on the ground.
	The drive system does not work properly.	Ask Makita authorized service center to inspect and repair it.
The cutting attachment does not stop. → Stop the engine immediately!	The power unit does not work properly.	Refer to the instruction manual of the power unit.
The nylon cutting cord does not feed.	The cord is used up or tangled in the spool.	Rewind the cord.
The nylon cutting cord is not cut off at the correct length.	The cord cutter on the protector is damaged or missing.	Ask Makita authorized service center to replace the cord cutter.
	The cord extends past the protector.	Rewind the cord.

Technical data

Model	ER400MP	
Dimensions (L x W x H)	inch (mm)	27-3/4" x 10-5/8" x 15-3/4" (703 x 270 x 402)
Mass	lbs (kg)	1.2 (0.5)
Cutting diameter	inch (mm)	16-1/8" (410)

Avant-propos

Merci d'avoir acheté la tête coupe herbe Makita. Cette tête est conçue pour être montée sur le groupe moteur Makita mentionné dans ce manuel d'instructions.

Avant toute utilisation, veuillez lire ce mode d'emploi et le manuel d'instructions du groupe moteur. Ils vous permettront d'obtenir le meilleur de votre tête coupe herbe Makita.

Table des matières	Page
Avant-propos	8
Pictogrammes	8
Groupe moteur homologué.....	8
Description des pièces	9
Précautions de sécurité	9
Montage et réglage.....	11
Fonctionnement.....	11
Inspection et entretien	12
Entreposage	13
Programme d'entretien	14
Dépannage	14
Données techniques.....	14

Pictogrammes

Les pictogrammes suivants sont apposés sur la tête et figurent dans ce manuel d'instructions. Comprenez bien ces définitions.



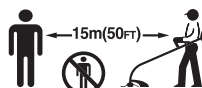
Lisez et suivez le manuel d'instructions.



Faites particulièrement attention !



Casque de protection, protections oculaire et auditive obligatoires.



Imposez une distance d'au moins 15 m (50 pi) entre l'équipement et les personnes alentour.



Faites attention aux projections d'objets.



N'utilisez jamais de lames métalliques.



Vitesse d'outil maximale autorisée



Premiers soins

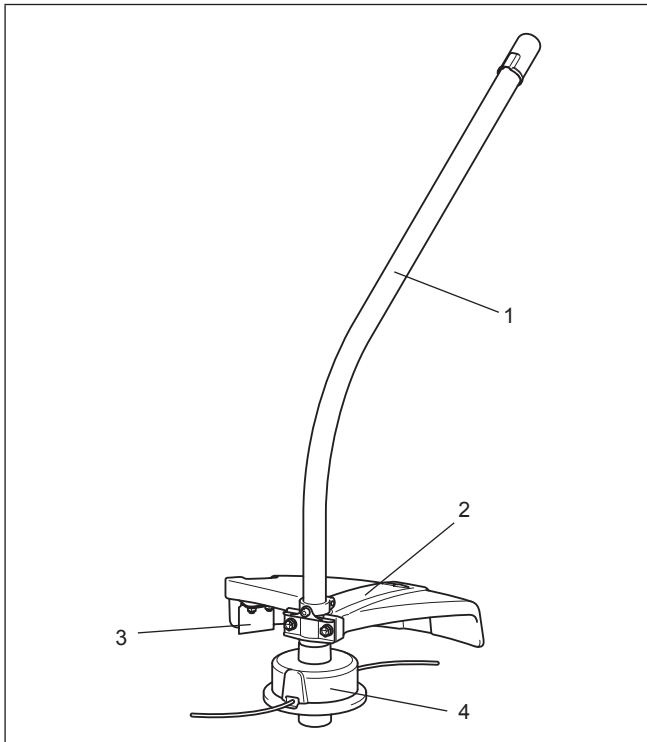
Groupe moteur homologué

Cette tête est homologuée pour fonctionner uniquement avec le(s) groupe(s) moteur suivant(s) :

EX2650LH Outil Multi-Fonctions

⚠ AVERTISSEMENT : N'utilisez jamais la tête avec un groupe moteur non homologué. Une combinaison non homologuée peut entraîner des blessures graves.

Description des pièces



Les numéros ci-dessous se rapportent à l'illustration

1. Axe
2. Protecteur (Dispositif de protection de l'outil de coupe)
3. Coupe-fil
4. Tête à fils nylon (Tête coupe herbe)

Précautions de sécurité

⚠ AVERTISSEMENT : Veuillez lire toutes les précautions de sécurité ainsi que les instructions contenues dans ce mode d'emploi et le manuel d'instructions du groupe moteur. L'ignorance des avertissements et des instructions comporte un risque d'électrocution, d'incendie et/ou de blessure grave.

Conservez-les pour les consulter ultérieurement.

Les termes « coupe herbe » et « équipement » dans les avertissements et les précautions font référence à la combinaison de la tête et du groupe moteur.

Utilisation normale

- Cette tête est uniquement conçue pour couper l'herbe et les mauvaises herbes avec le groupe moteur approprié. N'utilisez jamais la tête à d'autres fins. Toute utilisation inadéquate de la tête peut entraîner des blessures graves.

Précautions élémentaires

- Avant de démarrer le coupe herbe, veuillez lire ce mode d'emploi et le manuel d'instructions du groupe moteur pour vous familiariser avec la manipulation de l'outil.
- Ne prêtez pas la tête à une personne ne maîtrisant pas suffisamment les coupe herbe ou ne sachant pas les manipuler.
- Lorsque vous prêtez la tête, joignez toujours ce manuel d'instructions.
- Ne laissez pas des enfants ou des personnes de moins de 18 ans utiliser le coupe herbe. Tenez-les à l'écart de l'outil.
- Manipulez le coupe herbe avec le maximum de soin et d'attention.
- N'utilisez jamais le coupe herbe après avoir consommé de l'alcool ou des médicaments, ou encore si vous vous sentez fatigué ou malade.
- N'essayez jamais de modifier la tête.
- Respectez les réglementations en vigueur dans votre pays concernant la manipulation des coupe herbe.

Équipement de protection personnel

- Portez un casque de sécurité, des lunettes et des gants de protection pour vous protéger des projections ou chutes d'objets.



- Portez une protection auditive comme un casque anti-bruit pour éviter toute perte d'audition.
- Portez une tenue et des chaussures adaptées, comme une combinaison et des chaussures solides avec semelle antidérapante. Ne portez ni vêtements amples ni bijoux. Des vêtements amples, des bijoux ou de longs cheveux peuvent se prendre dans les pièces mobiles.

Sécurité de la zone de travail

- N'utilisez l'équipement qu'avec une bonne visibilité et en plein jour. N'utilisez pas l'équipement dans l'obscurité ou le brouillard.
- Démarrez et faites tourner le moteur uniquement à l'extérieur dans un endroit bien aéré. Le fonctionnement du moteur dans un espace confiné ou mal aéré peut entraîner la mort par asphyxie ou par intoxication au monoxyde de carbone.
- Pendant l'utilisation, ne vous positionnez pas sur une surface instable ou glissante ou sur un sol en pente. En hiver, faites attention à la glace et à la neige et veillez toujours à maintenir votre équilibre.
- Pendant l'utilisation, tenez tout individu ou animal à au moins 15 m de l'équipement. Coupez le moteur dès que quelqu'un s'approche.
- Avant l'utilisation, voyez s'il y a des pierres ou autres objets solides dans la zone de travail. Ils peuvent être projetés et provoquer des blessures ou des dégâts matériels.
- **⚠ AVERTISSEMENT :** L'utilisation de ce produit peut lever une poussière contenant des produits chimiques susceptibles d'entraîner des troubles respiratoires ou d'autres maladies. Parmi ces produits chimiques, on trouve des composants de pesticides, insecticides, engrais et herbicides. Les risques varient en fonction de la fréquence à laquelle vous utilisez l'outil. Pour réduire les risques d'exposition à ces produits chimiques, travaillez dans un endroit bien aéré et portez un équipement de sécurité homologué, tel que les masques antipoussières spécialement conçus pour filtrer les particules microscopiques.

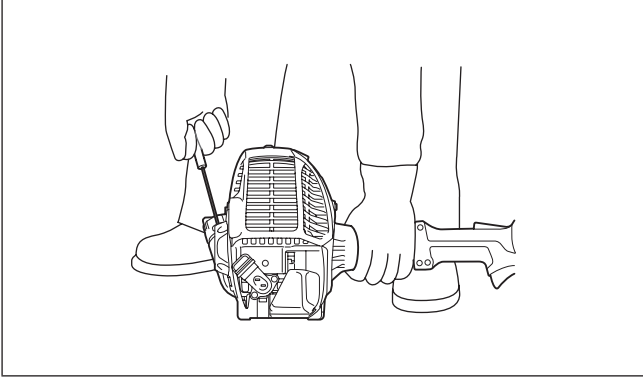
Utilisation de l'appareil

- Avant d'assembler ou de régler l'équipement, coupez le moteur et retirez la bougie d'allumage.
- Avant de démarrer le moteur, inspectez l'équipement pour détecter d'éventuels endommagements, des vis/écrous desserré(e)s ou un montage incorrect. Vérifiez le bon fonctionnement de tous les leviers et commutateurs de commande. Nettoyez et séchez les poignées.
- N'essayez jamais de démarrer le moteur si l'équipement est endommagé ou pas entièrement assemblé. Vous risqueriez de vous blesser grièvement.
- Ajustez le harnais et la poignée à votre taille.

Démarrage du moteur

- Mettez l'équipement de protection personnel avant de démarrer le moteur.
- Démarrez le moteur à au moins 3 mètres (10 pieds) du lieu de remplissage du carburant.
- Avant de démarrer le moteur, veillez à ce qu'il n'y ait aucun individu ni animal dans la zone de travail.

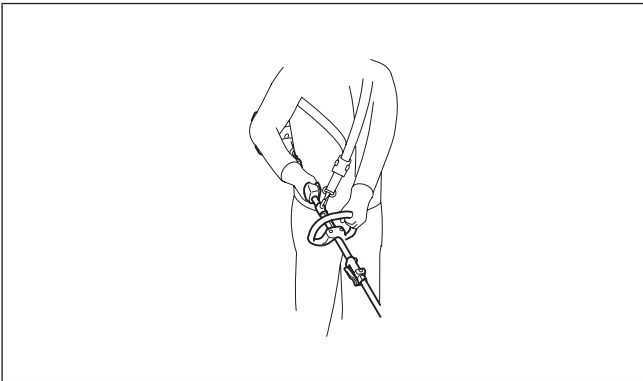
- Lorsque vous démarrez le moteur, veillez à éloigner les pièces rotatives de votre corps et de tout autre objet, y compris le sol. Elles peuvent se mettre en mouvement dès le démarrage et occasionner des blessures, endommager l'équipement et/ou entraîner des dégâts matériels.
- Placez l'équipement sur un sol dur. Veillez à ne pas perdre l'équilibre.
- Lorsque vous tirez la poignée de démarrage, maintenez fermement le groupe moteur contre le sol avec la main gauche. Ne marchez pas sur l'arbre d'entraînement du groupe moteur.



- Suivez le manuel d'instructions du groupe moteur pour le démarrage du moteur.
- Si la tête à fils nylon tourne au ralenti, coupez le moteur et abaissez la vitesse de ralenti.

Fonctionnement

- En cas d'urgence, coupez immédiatement le moteur.
- Si vous percevez quoi que ce soit d'anormal (bruit, vibrations, etc.) en cours d'utilisation, coupez le moteur. N'utilisez plus l'équipement avant d'avoir trouvé et résolu le problème.
- La tête à fils nylon continue à tourner un bref instant après que vous avez relâché la commande d'accélérateur ou coupé le moteur. Ne vous précipitez pas pour la toucher.
- Lorsque le moteur tourne uniquement au ralenti, fixez le harnais.
- Pendant la manipulation de l'équipement, utilisez le harnais. Maintenez fermement l'équipement sur le côté droit.



- Saisissez la poignée avant avec la main gauche et la poignée arrière avec la main droite, peu importe que vous soyez droitier ou gaucher. Enserrez bien les poignées avec les doigts.
- N'essayez jamais de faire fonctionner l'équipement avec une seule main. Si vous en perdez le contrôle, vous risquez de vous blesser ou de trouver la mort. Pour limiter tout risque de blessure, éloignez les mains et les pieds de la tête à fils nylon.
- Ne visez pas trop haut. Maintenez en permanence un équilibre stable. Faites attention aux obstacles cachés tels que les souches d'arbres, les racines et les fossés, afin de ne pas trébucher.
- Si l'équipement tombe ou heurte violemment une surface, vérifiez son état avant de poursuivre l'utilisation. Recherchez une éventuelle fuite du système d'alimentation et un éventuel dysfonctionnement des dispositifs de commande et de sécurité. En cas de dommage avéré ou suspecté, adressez-vous à un centre de services agréé Makita pour une inspection et une réparation.
- Faites des pauses afin de ne pas perdre le contrôle à cause de la fatigue. Nous vous recommandons de vous reposer 10 à 20

minutes toutes les heures.

- Lorsque vous laissez l'équipement, même un court instant, coupez toujours le moteur. Un équipement laissé sans surveillance avec le moteur allumé peut être utilisé par n'importe qui et occasionner un grave accident.
- Suivez le manuel d'instructions du groupe moteur pour une utilisation correcte du levier et du commutateur de commande.
- Pendant ou après l'utilisation, ne posez pas l'équipement sur des herbes sèches ou des matières combustibles.
- Ne fixez jamais les lames de coupe. Vous risqueriez de vous blesser grièvement.
- Si de l'herbe ou des branches sont coincées entre l'outil de coupe et le dispositif de protection, coupez toujours le moteur et retirez le capuchon de la bougie d'allumage ou la batterie avant de procéder au nettoyage. Si vous ne le faites pas, une rotation accidentelle de la lame peut entraîner des blessures graves.
- Vérifiez régulièrement la tête à fils nylon en cours d'utilisation pour vous assurer qu'elle n'est pas fendue ou endommagée. Avant toute inspection, coupez le moteur et attendez que la tête à fils nylon s'immobilise complètement. Remplacez immédiatement une tête à fils nylon endommagée, même si elle ne présente que des fissures superficielles.

Vibrations

- Des détériorations au niveau des vaisseaux sanguins ou du système nerveux peuvent se produire chez des personnes souffrant de troubles circulatoires et trop souvent soumises à des vibrations. Les symptômes pouvant apparaître à la suite de vibrations au niveau des doigts, des mains ou des articulations sont les suivants : engourdissement des membres, chatouillements, douleurs, points et altération de la peau (notamment, le changement de couleur). Si ces symptômes apparaissent, consultez un médecin.
- Pour éviter le phénomène du « doigt mort », assurez-vous de garder vos mains au chaud durant l'utilisation de l'outil et de préserver le bon état de l'outil et de ses accessoires.

Transport

- Avant de transporter l'équipement, coupez le moteur et retirez le capuchon de la bougie d'allumage.
- Transportez l'équipement à l'horizontale en le tenant par l'axe. Éloignez le silencieux chaud de votre corps.
- Lorsque vous transportez l'équipement dans un véhicule, fixez-le solidement pour qu'il ne tombe pas. Dans le cas contraire, l'essence pourrait se renverser et endommager l'équipement et autres bagages.


Entretien

- Faites réparer votre équipement par nos centres de services agréés, qui n'utilisent que des pièces de rechange d'origine. Des réparations mal exécutées et un mauvais entretien peuvent réduire la durée utile de l'équipement et accroître les risques d'accident.
- Avant tout entretien, réparation ou nettoyage de l'équipement, coupez toujours le moteur et retirez la bougie d'allumage. Laissez le moteur refroidir.
- Pour limiter le risque d'incendie, ne réparez jamais l'équipement à proximité d'un feu.
- Ôtez la poussière et les saletés de l'équipement. N'utilisez jamais d'essence, de benzine, de solvant, d'alcool ou tout autre produit similaire pour cela. Cela pourrait décolorer, déformer ou craqueler les composants en plastique.
- Après chaque utilisation, serrez toutes les vis et les écrous, sauf les vis de réglage du carburateur.
- Ne tentez jamais un entretien ou une réparation qui ne figure pas dans ce mode d'emploi ou le manuel d'instructions du groupe moteur. Adressez-vous à un centre de services agréé Makita pour cela.
- Utilisez exclusivement des pièces de rechange et accessoires Makita d'origine. L'utilisation de pièces de rechange et accessoires d'un fabricant tiers peut entraîner une panne de l'équipement, des dégâts matériels et/ou des blessures graves.
- Adressez-vous à un centre de services agréé Makita pour une inspection et un entretien de l'équipement à intervalles réguliers.

Entreposage

- Avant d'entreposer l'équipement, procédez à un nettoyage et un entretien complets. Retirez la bougie d'allumage. Vidangez l'essence une fois le moteur refroidi.
- Entreposez l'équipement dans un endroit sec et en hauteur ou dans une pièce fermée à clé, hors de portée des enfants.
- N'appuyez pas l'équipement contre quelque chose, comme un mur. Il pourrait tomber soudainement et provoquer des blessures.

Premiers soins

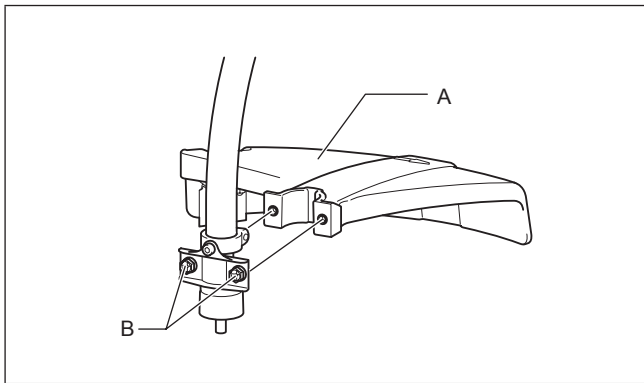
-  Vous devez toujours avoir une trousse de premiers soins à portée de main. Remplacez sans délai tout article utilisé dans la trousse de premiers soins.
- Si vous contactez les secours, veuillez indiquer :
 - le lieu de l'accident ;
 - les conditions de l'accident ;
 - le nombre de personnes blessées ;
 - la nature des blessures ;
 - votre nom.


Montage et réglage

AVERTISSEMENT :

- Avant d'assembler ou de régler l'équipement, coupez le moteur et retirez le capuchon de la bougie d'allumage. Sinon, la tête à fils nylon ou d'autres pièces pourraient se mettre en mouvement et occasionner de graves blessures.
- Lorsque vous assemblez ou réglez l'équipement, posez-le toujours sur le sol. Le montage ou le réglage de l'équipement en position verticale peut entraîner de graves blessures.
- Respectez les avertissements et précautions figurant dans le chapitre « Précautions de sécurité » et le manuel d'instructions du groupe moteur.

Montage du protecteur

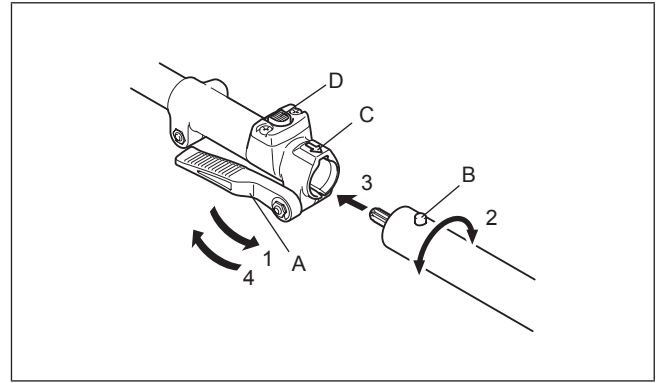


 **ATTENTION** : Ne touchez pas le coupe-fil du protecteur. Vous pourriez vous blesser en touchant le coupe-fil à mains nues.

Le protecteur doit être installé de façon à maintenir la longueur du fil en nylon et à protéger l'opérateur des projections de pierres et débris. Installez le protecteur de la façon suivante.

1. Placez le protecteur (A) de sorte que les nervures de l'axe correspondent à la rainure du protecteur.
2. Serrez les deux boulons (B).

Montage de la tête sur un groupe moteur



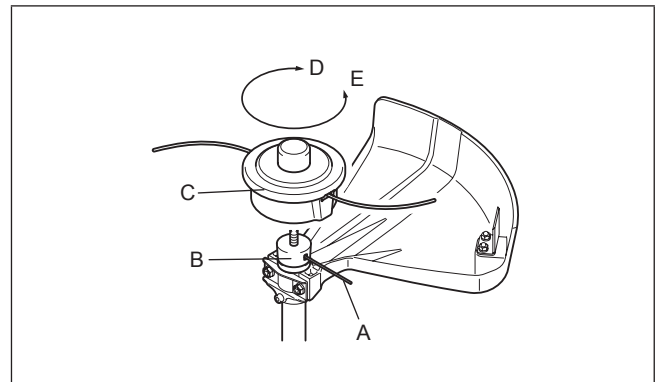
Pour monter la tête sur un groupe moteur, suivez les étapes ci-dessous.


1. Veillez à ce que le levier de verrouillage (A) soit desserré.
2. Alignez la broche (B) avec la flèche (C).
3. Insérez l'axe dans l'arbre d'entraînement du groupe moteur jusqu'à ce que le bouton de déverrouillage (D) sorte.
4. Serrez à fond le levier de verrouillage (A) comme illustré.

Pour retirer la tête, desserrez le levier de verrouillage, appuyez sur le bouton de verrouillage et tirez l'axe.

AVIS : Ne serrez pas le levier de verrouillage (A) sans que l'axe de la tête ne soit inséré. Sinon, le levier de verrouillage pourrait trop serrer l'entrée de l'arbre d'entraînement et l'endommager.

Montage d'une tête à fils nylon



 **ATTENTION** : Ne touchez pas le coupe-fil du protecteur. Vous pourriez vous blesser en touchant le coupe-fil à mains nues. Montez une tête à fils nylon de la façon suivante.

1. Insérez la clavette de verrouillage (A) dans l'orifice de la rondelle d'appui (B). Faites-la pivoter en enfonçant la clavette de verrouillage jusqu'à la butée.
 2. Vissez une tête à fils nylon (C) sur l'axe en tournant dans le sens horaire (D). Veillez à ce qu'elle soit solidement montée.
 3. Retirez la clavette de verrouillage (A).
- Pour retirer la tête à fils nylon, tournez-la dans le sens antihoraire (E).

Fonctionnement

AVERTISSEMENT :

- Si la tête à fils nylon tourne au ralenti, abaissez la vitesse de ralenti du moteur. Sinon il vous sera impossible d'arrêter la tête à fils nylon à l'aide du levier d'accélérateur et vous pourriez vous blesser grièvement.
- Respectez les avertissements et précautions figurant dans le chapitre « Précautions de sécurité » et le manuel d'instructions du groupe moteur.

Pendant l'utilisation, utilisez l'extrémité du fil en nylon pour la coupe.

Alimentation du fil en nylon

Lorsque le fil en nylon s'use et se raccourcit à cause de la coupe, l'opérateur doit procéder manuellement à l'alimentation. Pour l'alimentation du fil en nylon, tapotez la tête à fils nylon sur le sol pendant qu'elle tourne à environ 6 000 min⁻¹.

Remarque : Si le fil en nylon ne sort pas, rembobinez-le. Reportez-vous au chapitre « Inspection et entretien ».

Inspection et entretien

⚠ AVERTISSEMENT :

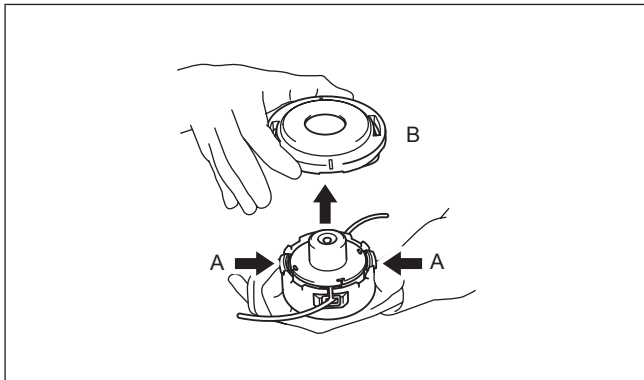
- Avant d'inspecter ou d'entretenir l'équipement, coupez le moteur et retirez le capuchon de la bougie d'allumage. Sinon, la tête à fils nylon ou d'autres pièces pourraient se mettre en mouvement et occasionner de graves blessures.
- Lorsque vous inspectez ou entretenez l'équipement, posez-le toujours sur le sol. Le montage ou le réglage de l'équipement en position verticale peut entraîner de graves blessures.
- Respectez les avertissements et précautions figurant dans le chapitre « Précautions de sécurité » et le manuel d'instructions du groupe moteur.

Rembobinage du fil en nylon

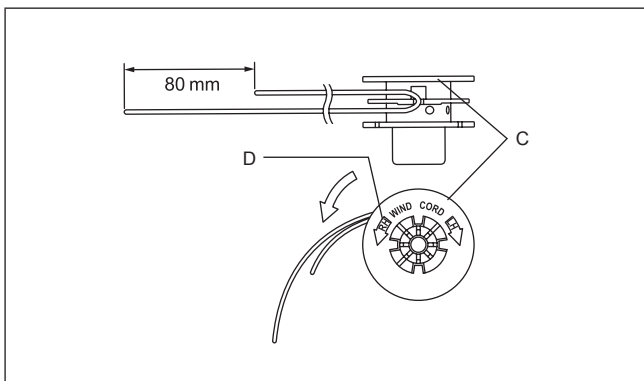
⚠ **AVERTISSEMENT :** Après avoir rembobiné le fil en nylon, assurez-vous que le cache de la tête à fils nylon est fixé dans le logement. Sinon, la tête à fils nylon pourrait se détacher et occasionner de graves blessures.

Pour rembobiner le fil en nylon, procédez comme suit.

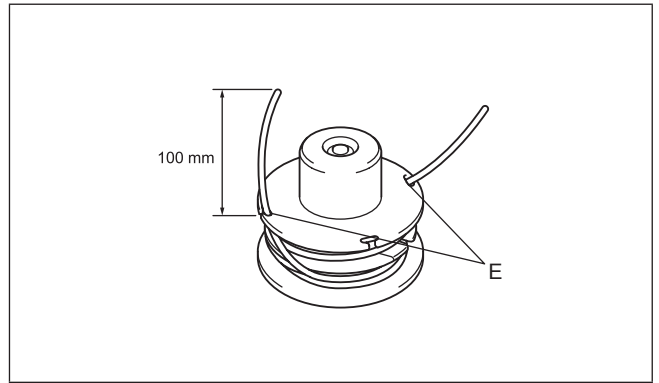
1. Enfoncez les loquets (A) et ôtez le cache (B). Retirez le reste de fil en nylon.



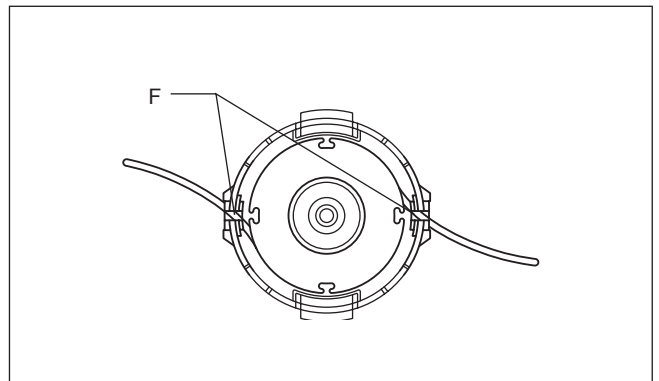
2. Insérez le milieu du nouveau fil en nylon dans l'encoche située au centre de la bobine (C). Un côté du fil doit dépasser l'autre d'environ 80 mm.



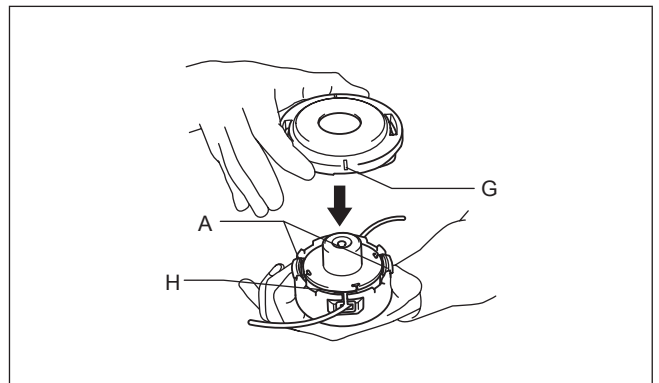
3. Enroulez bien les deux extrémités autour de la bobine dans le sens de la flèche « RH » (D). « RH » indique le sens d'enroulement pour les coupe herbe avec une rotation vers la droite.
4. Enroulez toute la longueur du fil sauf les derniers 100 mm. Laissez les extrémités temporairement insérées dans les encoches (E).



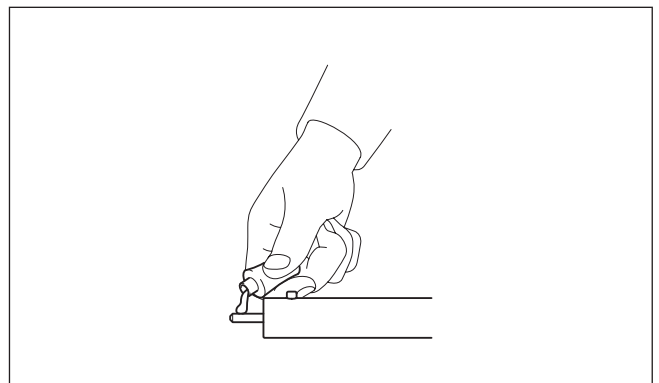
5. Placez la bobine dans le logement de sorte que les rainures et les saillies de la bobine correspondent à celles du logement.
6. Retirez les extrémités du fil de leur position temporaire et engagez-les dans les œillets (F) pour que le fil sorte du logement.



7. Alignez la saillie (G) de la partie inférieure du cache avec les fentes (H) des œillets. Puis enfoncez à fond le cache sur le logement pour le fixer. Assurez-vous que les loquets (A) sont bien dans le cache.



Lubrification des pièces mobiles



AVIS : Respectez les instructions fournies sur la fréquence et la quantité de graisse. Sinon, une lubrification insuffisante peut endommager les pièces mobiles.

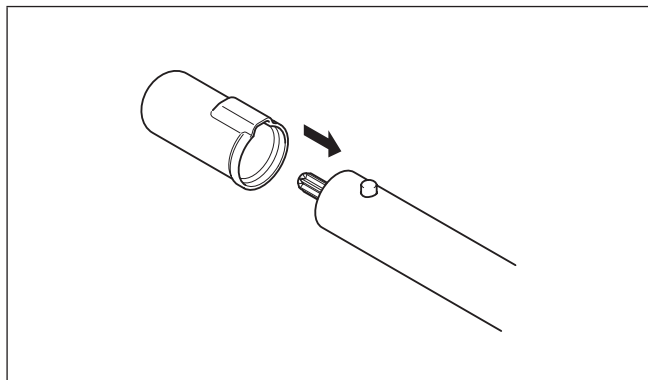
Arbre d'entraînement :
Appliquez de la graisse (Shell Alvania N 2 ou équivalent) toutes les 25 heures d'utilisation.

Inspection générale

- Serrez les boulons, écrous et vis desserrés.
- Vérifiez si des pièces sont endommagées. Adressez-vous à un centre de services agréé Makita pour les remplacer.

Entreposage

⚠ AVERTISSEMENT : Respectez les avertissements et précautions figurant dans le chapitre « Précautions de sécurité » et le manuel d'instructions du groupe moteur.



Lorsque vous entreposez la tête coupe herbe dépourvue de son groupe moteur, placez le cache à l'extrémité de l'axe.

Programme d'entretien

Heures d'utilisation		Avant utilisation	25 h	Page correspondante
Appareil tout entier	Vérifier visuellement si des pièces sont endommagées	○		13
Tous les écrous et vis de fixation	Serrer	○		13
Arbre d'entraînement	Graisser		○	12
Groupe moteur	Voir le manuel d'instructions du groupe moteur			

Dépannage

Problème	Cause probable	Solution
Le moteur ne démarre pas.	Voir le manuel d'instructions du groupe moteur.	
Le moteur s'arrête peu après le démarrage.		
La vitesse maximale est limitée.		
La tête à fils nylon ne pivote pas. → Coupez le moteur immédiatement !	La tête à fils nylon n'est pas suffisamment serrée.	Bien serrer la tête à fils nylon.
	Une brindille est coincée entre la tête à fils nylon et le protecteur.	Retirer le corps étranger.
	Le système d'entraînement ne fonctionne pas correctement.	S'adresser à un centre de services agréé Makita pour une inspection et une réparation.
Le corps vibre de façon anormale. → Coupez le moteur immédiatement !	La tête à fils nylon est cassée.	Remplacer la tête à fils nylon.
	La tête à fils nylon n'est pas suffisamment serrée.	Bien serrer la tête à fils nylon.
	L'une des extrémités du fil en nylon est cassée et la tête à fils nylon est déséquilibrée.	Alimenter le fil en nylon en tapotant la tête à fils nylon sur le sol.
	Le système d'entraînement ne fonctionne pas correctement.	S'adresser à un centre de services agréé Makita pour une inspection et une réparation.
La tête à fils nylon ne s'arrête pas. → Coupez le moteur immédiatement !	Le groupe moteur ne fonctionne pas correctement.	Voir le manuel d'instructions du groupe moteur.
L'alimentation du fil en nylon est impossible.	Il n'y a plus de fil ou il est emmêlé dans la bobine.	Rembobiner le fil.
Le fil en nylon n'est pas coupé à la longueur qui convient.	Le coupe-fil sur le protecteur est endommagé ou manquant.	S'adresser à un centre de services agréé Makita pour le remplacement du coupe-fil.
	Le fil sort au-delà du protecteur.	Rembobiner le fil.

Données techniques

Modèle	ER400MP	
Dimensions (L x P x H)	pouce (mm)	27-3/4" x 10-5/8" x 15-3/4" (703 x 270 x 402)
Poids	lb (kg)	1,2 (0,5)
Diamètre de coupe	pouce (mm)	16-1/8" (410)

Prefacio

Muchas gracias por la adquisición de su accesorio para desbrozadora Makita. Este aditamento está diseñado para instalarse en el equipo motorizado Makita que se menciona en este manual de instrucciones.

Antes de usar, por favor lea este folleto, así como el manual de instrucciones del equipo motorizado. Esto le ayudará a obtener un óptimo resultado de su accesorio para desbrozadora Makita.

Índice	Página
Prefacio	15
Símbolos	15
Equipo motorizado aprobado	15
Descripción de las piezas	16
Medidas de seguridad	16
Ensamble y ajuste	18
Operación	18
Inspección y mantenimiento	19
Almacenamiento	20
Programa de mantenimiento	21
Resolución de problemas	21
Información técnica	21

Símbolos

Los siguientes símbolos aparecen en el aditamento y en este manual de instrucciones. Asegúrese de entender su significado.



Lea y siga las indicaciones en el manual de instrucciones.



¡Tenga especial cuidado y atención!



Use casco protector, así como protección ocular y auditiva.



Mantenga una distancia de al menos 15 m (50 pies) entre el equipo y las personas alrededor.



Esté al tanto del arrojamiento de objetos durante la operación.



Nunca use cuchillas metálicas.



Velocidad máxima permitida de la herramienta



Primeros auxilios

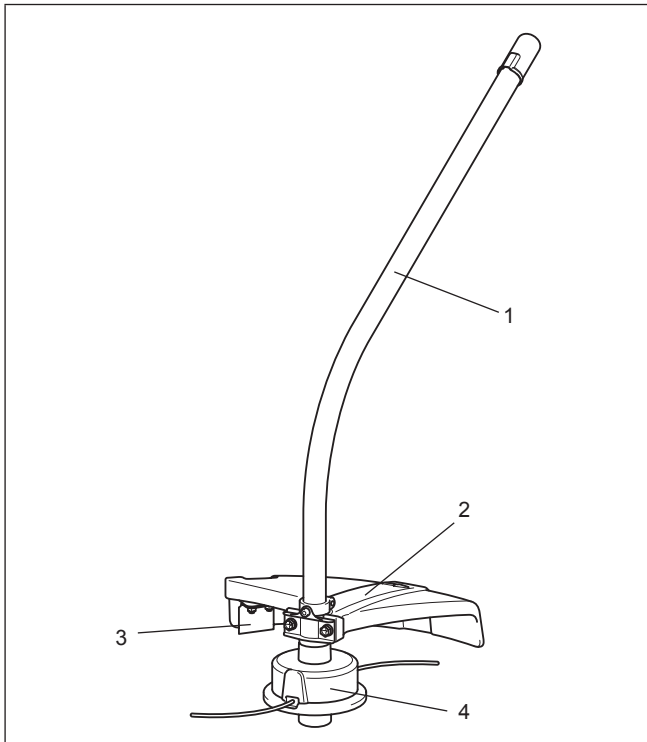
Equipo motorizado aprobado

Este aditamento está aprobado para ser utilizado sólo con el(los) siguiente(s) equipo(s) motorizado(s):

EX2650LH Multifuncional

⚠ ADVERTENCIA: Nunca use el aditamento con un equipo motorizado no aprobado. Una combinación no aprobada puede resultar en lesiones graves.

Descripción de las piezas



Los números a continuación hacen referencia a la ilustración

1. Eje
2. Protector (protector de la pieza cortadora)
3. Cortador del cordón
4. Cabeza cortadora de nailon (cabeza para desbrozadora)

Medidas de seguridad

⚠ ADVERTENCIA: Lea todas las advertencias de seguridad, así como todas las instrucciones en este folleto y en el manual de instrucciones del equipo motorizado. No seguir todas las advertencias e instrucciones que se presentan a continuación puede que resulte en descarga eléctrica, incendio y/o graves lesiones.

Guarde todas las advertencias e instrucciones para referencia futura.

Los términos “desbrozadora” y “equipo” en las advertencias y precauciones hacen referencia a la combinación del aditamento y equipo motorizado.

Uso destinado

- Este aditamento está diseñado solamente con el propósito de podar césped y maleza ligera al usarse en conjunto con un equipo motorizado aprobado. Nunca use el aditamento para otros propósitos. Puede que el uso inapropiado del aditamento resulte en graves lesiones.

Precauciones generales

- Antes de arrancar la desbrozadora, lea este folleto y el manual de instrucciones del equipo motorizado para familiarizarse con el manejo del equipo.
- No preste el aditamento a ninguna persona sin suficiente experiencia o conocimiento en el manejo de desbrozadoras.
- Al prestar el aditamento, incluya siempre este manual de instrucciones.
- No permita que los niños ni las personas menores de 18 años usen la desbrozadora. Manténgalos alejados de la desbrozadora.
- Maneje la desbrozadora con máxima precaución y atención.
- Nunca use la desbrozadora después de haber consumido bebidas con alcohol, drogas, medicamentos, o si se siente cansado o enfermo.
- Nunca intente hacer alteraciones en el aditamento.

- Siga las regulaciones en su país sobre el manejo de desbrozadoras.

Equipo protector personal

- Use casco de seguridad, así como gafas y guantes de protección para protegerse a sí mismo de residuos que salgan arrojados u objetos que caigan.



- Use protección para los oídos, como orejeras, para prevenir la pérdida auditiva.
- Use vestimenta y calzado apropiados para una operación segura, como overol de trabajo y zapatos resistentes con suela antiderrapante. No use ropa holgada ni joyas o alhajas. La ropa suelta, al igual que las alhajas y el cabello largo, pueden engancharse en las partes móviles.

Seguridad en el área de trabajo

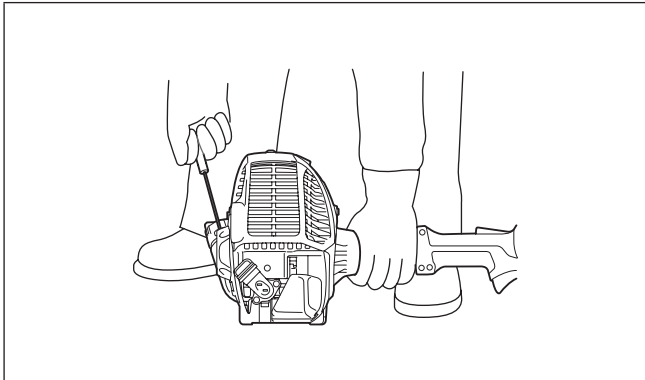
- Opere el equipo sólo bajo entornos con visibilidad e iluminación diurna adecuadas. No use el equipo en lugares oscuros o con neblina.
- Arranque y opere el motor sólo en lugares en el exterior que cuenten con buena ventilación. La operación en un lugar confinado con ventilación insuficiente puede resultar en muerte por sofocación (ahogamiento) o intoxicación con monóxido de carbono.
- Durante la operación, nunca se pare sobre una superficie que sea inestable, resbalosa o inclinada. Durante época invernal, esté atento del hielo y la nieve, y asegúrese de pisar el suelo con estabilidad y firmeza.
- Durante la operación, mantenga a las personas alrededor, así como las mascotas al menos a 15 m de distancia de la desbrozadora. Pare el motor tan pronto alguien se aproxime.
- Antes de la operación, inspeccione el área de trabajo para ver si hay piedras y otros objetos duros. Dichos objetos pueden salir arrojados y causar lesiones o daños a la propiedad.
- **⚠ ADVERTENCIA:** El uso de este producto puede generar polvo que contenga sustancias químicas que pueden causar enfermedades respiratorias, entre otros males. Algunos ejemplos de estos químicos son los compuestos que se encuentran en los pesticidas, insecticidas, fertilizantes y herbicidas. El riesgo al que se expone variará, dependiendo de la frecuencia con la que realice este tipo de trabajo. Para reducir la exposición a estos productos químicos, trabaje en un área bien ventilada, y póngase el equipo de seguridad indicado, tal como las máscaras contra el polvo especialmente diseñadas para filtrar partículas microscópicas.

Activación del equipo

- Antes de ensamblar o hacer ajustes en el equipo, apague el motor y quite la bujía de encendido.
- Antes de arrancar el motor, inspeccione el equipo para ver si hay daños, tuercas y tornillos flojos o algo que esté ensamblado incorrectamente. Compruebe que todas las palancas e interruptores puedan accionarse con facilidad. Limpie y seque los mangos.
- Nunca intente arrancar el motor si el equipo está dañado o no está completamente ensamblado. De lo contrario, esto puede que resulte en graves lesiones.
- Ajuste el arnés para la correa de hombro y la empuñadura de tal manera que se ajuste al tamaño del cuerpo del operador.

Arranque del motor

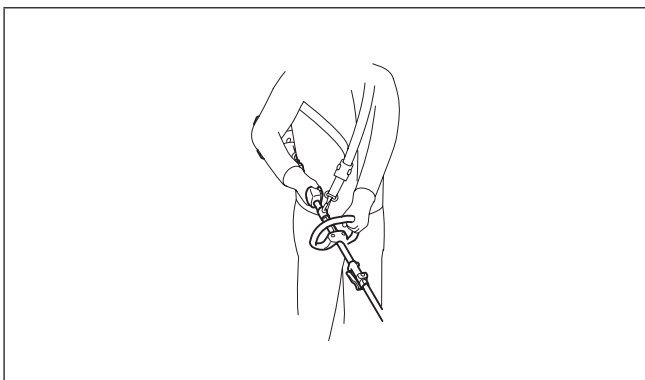
- Use el equipo de protección personal antes de arrancar el motor.
- Arranque el motor por lo menos a 3 metros (10 pies) de distancia del lugar de abastecimiento de combustible.
- Antes de arrancar el motor, asegúrese de que no haya personas ni animales en el área de trabajo.
- Al arrancar el motor, mantenga las piezas giratorias alejadas de su cuerpo y de cualquier otro objeto, incluyendo el suelo. Puede que dichas piezas se muevan al arrancar el motor y que causen graves lesiones o daños al equipo y/o a la propiedad.
- Coloque el equipo en suelo firme. Mantenga un buen equilibrio y pise firmemente el suelo.
- Al jalar la perilla del arrancador, sujete el equipo con firmeza contra el suelo con su mano izquierda. Nunca se pare sobre el eje de operación del equipo.



- Siga el manual de instrucciones del equipo motorizado para arrancar el motor.
- Si la cabeza cortadora de nailon gira durante el estado pasivo del motor en marcha, pare el motor y haga el ajuste para bajar la velocidad en estado pasivo del motor.

Operación

- En el evento de alguna emergencia, apague el motor de inmediato.
- Si percibe algo que le parezca extraño (p.ej. ruido o vibración inusuales) durante la operación, apague el motor. No use el equipo hasta que la causa se haya reconocido y resuelto.
- El aditamento cortador continúa moviéndose durante un momento breve tras haber soltado el gatillo acelerador o apagado el motor. No se apresure en hacer contacto con el mismo.
- Sólo con el equipo activo en estado pasivo del motor, coloque el arnés para la correa de hombro.
- Durante la operación, use el arnés para la correa de hombro. Mantenga firmemente el equipo sobre su costado derecho.



- Sostenga el mango delantero con la mano izquierda y el mango trasero con la mano derecha, independientemente de que usted sea diestro o siniestro. Sujete con sus manos los mangos de tal forma que los dedos enroscados el mango encontrándose con el pulgar.
- No intente nunca operar el equipo con una sola mano. Puede que haya pérdida del control resultando en lesiones graves o mortales. Para reducir el riesgo de lesiones, mantenga sus manos y pies alejados del aditamento cortador.
- No se exceda al querer alcanzar algo. Mantenga los pies firmes y el equilibrio en todo momento. Esté al tanto de obstáculos

ocultos como troncos aún enterrados de árboles cortados, raíces y zanjas para evitar tropezones.

- Si el equipo recibe un golpe fuerte o cae al suelo, revise su condición antes de continuar el trabajo. Revise el sistema de combustible para ver si hay fugas, así como los controles y dispositivos de seguridad para ver si hay alguna falla. Si hay cualquier daño o algo parece dudoso, solicite una inspección y servicio de reparación en un centro de servicio autorizado Makita.
- Tome un descanso para prevenir la pérdida del control debido al cansancio. Recomendamos tomar un descanso de 10 a 20 minutos por cada hora de trabajo.
- Siempre que vaya a no estar atendiendo el equipo, incluso durante un momento breve, apague el motor. Un equipo desatendido con el motor corriendo puede ser usado por una persona no autorizada y causar un grave accidente.
- Siga el manual de instrucciones del equipo motorizado para un uso correcto de la palanca de control y del interruptor.
- Durante o tras la operación, no coloque el equipo caliente sobre césped seco ni sobre material que pudiese prender fuego.
- Nunca coloque cuchillas cortadoras. El contacto con la cuchilla puede resultar en graves lesiones.
- Si las ramas o el césped quedan atrapados entre la pieza cortadora y el protector, pare el motor y quite la tapa de la bujía de encendido o el cartucho de la batería siempre antes de despejar la obstrucción. De lo contrario, puede que ocurran graves lesiones con la rotación accidental de la cuchilla.
- Revise frecuentemente el aditamento cortador durante la operación para ver si hay grietas o daños. Antes de la inspección, apague el motor y espere a que el aditamento cortador se haya detenido completamente. Reemplace inmediatamente un aditamento cortador dañado, incluso cuando se trate solo de grietas en la superficie.

Vibración

- Puede que las personas con deficiencia en su circulación sanguínea que estén expuestas a vibración excesiva sufran de lesiones en los vasos sanguíneos o el sistema nervioso. Puede que la vibración cause los siguientes síntomas generados en los dedos, manos o muñecas: Entumecimiento (adormecimiento de las partes del cuerpo), sensación de hormigueo, dolor y punción, así como alteraciones de la piel o del color de ésta. ¡Acuda a su médico si experimenta cualquiera de estos síntomas!
- Para reducir el riesgo de "enfermedad de dedo blanco", mantenga sus manos tibias durante la operación y dé un mantenimiento adecuado al equipo y los accesorios.

Transporte

- Antes de transportar el equipo, apague el motor y quite la tapa de la bujía de encendido.
- Al transportar el equipo, cárguelo horizontalmente sujetándolo del eje. Mantenga el mofle que se encuentre caliente alejado de su cuerpo.
- Al estar transportando el equipo en un vehículo, fije la posición del equipo para evitar que se voltee. De lo contrario, puede que resulte en fugas de combustible, así como daños al equipo y a otros artículos.

Mantenimiento

- Lleve su equipo a que le den servicio de mantenimiento en un centro autorizado de servicio, y siempre use piezas de repuesto originales. La reparación incorrecta y el mantenimiento deficiente pueden acortar la vida útil del equipo y aumentar el riesgo de accidentes.
- Antes de realizar cualquier servicio de reparación, mantenimiento o limpieza sobre el equipo, apague siempre el motor y quite la tapa de la bujía de encendido. Espere hasta que el motor se haya enfriado.
- Para reducir el riesgo de incendio, nunca realice servicios sobre el equipo en proximidad de las llamas de algún fuego.
- Elimine siempre la tierra y el polvo del equipo. Para este propósito, nunca use gasolina, bencina, diluyentes (tíner), alcohol o alguna sustancia similar. Puede que esto resulte en decoloración, deformación y grietas de las piezas de plástico.
- Tras cada uso, apriete todos los tornillos y las tuercas, excepto los que se usan para el ajuste del carburador.
- Nunca intente realizar algún procedimiento de mantenimiento o reparación que no se encuentre descrito en este folleto o en


el manual de instrucciones del equipo motorizado. Para tales procedimientos acuda a los centros de servicio autorizado de Makita.

- Use siempre piezas de repuesto y accesorios originales de Makita solamente. El uso de piezas o accesorios de otros fabricantes puede que resulte en averías del equipo, ocasionado daños a la propiedad y/o graves lesiones.
- Solicite de forma periódica a un centro de servicio autorizado de Makita que inspeccione y haga servicio de mantenimiento sobre el equipo.

Almacenamiento

- Antes de almacenar el equipo, proceda con limpiarlo y hacer el mantenimiento de forma cabal. Quite la bujía de encendido. Drene el combustible después de que el motor se haya enfriado.
- Almacene el equipo en un lugar seco y elevado o bajo llave para que no esté al alcance de los niños.
- No recargue el equipo contra alguna pared o similar. De lo contrario, puede que repentinamente se caiga causando alguna lesión.

Primeros auxilios

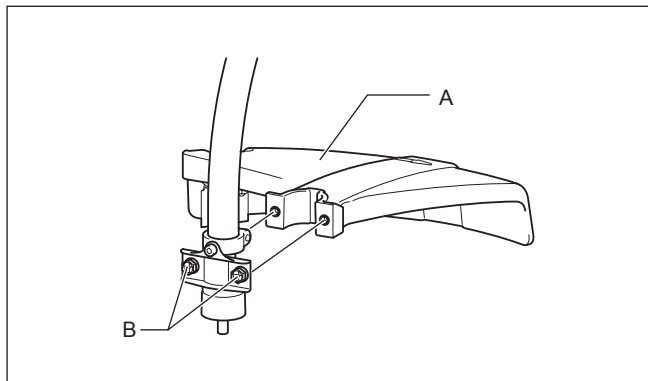
-  Tenga siempre a su alcance un juego de primeros auxilios. Reponga inmediatamente cualquier artículo que haya utilizado de su juego de primeros auxilios.
- Al pedir ayuda, proporcione la siguiente información:
 - Lugar del accidente
 - Lo sucedido
 - Número de personas lesionadas
 - Descripción de la lesión
 - Su nombre


Ensamble y ajuste

ADVERTENCIA:

- Antes de ensamblar o hacer ajustes en el equipo, apague el motor y quite la tapa de la bujía de encendido. De lo contrario, puede que el aditamento cortador u otras piezas se muevan resultando en graves lesiones.
- Recueste el equipo siempre que lo vaya a ensamblar o al hacer ajustes en éste. Tener el equipo erguido en posición vertical durante el ensamblado o el ajuste puede resultar en graves lesiones.
- Siga las advertencias y precauciones que se indican en el capítulo "Medidas de seguridad", así como en el manual de instrucciones del equipo motorizado.

Instalación del protector

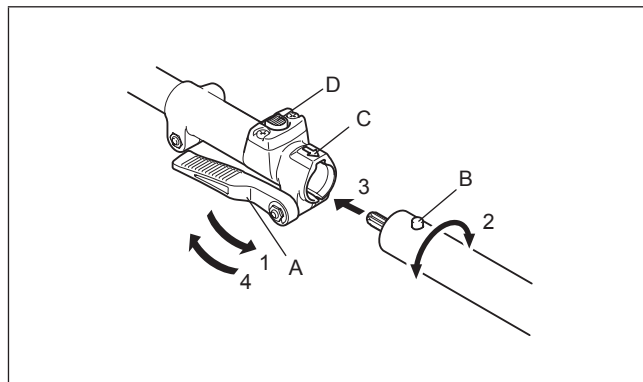


 **PRECAUCIÓN:** No toque el cortador del cordón en el protector. El contacto con las manos descubiertas puede resultar en lesión.

El protector debe instalarse para mantener la longitud del cordón cortador de nailon y para proteger al operador de piedras y residuos que salgan arrojados. Instale el protector como se indica a continuación.

1. Ajuste el protector (A) de tal forma que la protuberancia en el eje encaje con la ranura en el protector.
2. Apriete los dos pernos (B).

Instalación del aditamento al equipo motorizado

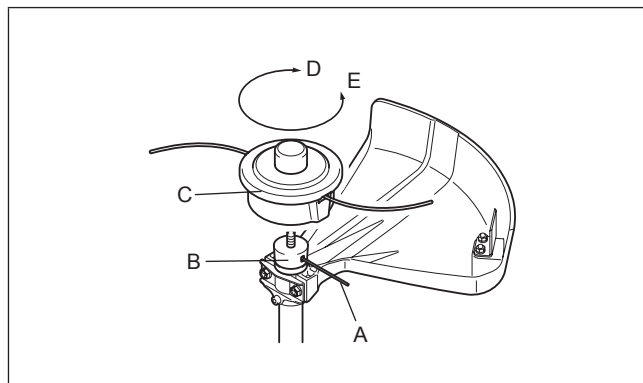



Para instalar el aditamento al equipo motorizado, siga los pasos que se indican a continuación.

1. Asegúrese de que la palanca de bloqueo (A) no se encuentre apretada.
2. Alinee la clavija (B) con la marca de la flecha (C).
3. Inserte el eje en el eje de operación del equipo motorizado hasta que el botón de liberación (D) emerja.
4. Apriete la palanca de bloqueo (A) con firmeza como se muestra. Para quitar el aditamento, afloje la palanca de bloqueo, presione el botón de bloqueo y extraiga el eje.

AVISO: No apriete la palanca de bloqueo (A) sin que el eje del aditamento se encuentre insertado. De lo contrario, puede que la palanca de bloqueo estreche el acceso del eje de operación demasiado y lo dañe.

Instalación de una cabeza cortadora de nailon



 **PRECAUCIÓN:** No toque el cortador del cordón en el protector. El contacto con las manos descubiertas puede resultar en lesión. Instale una cabeza cortadora de nailon como se indica a continuación.

1. Inserte la llave de bloqueo (A) a través del orificio en la arandela de soporte (B). Gírela con presionar la llave de bloqueo hasta que se hayan trabado.
2. Enrosque una cabeza cortadora de nailon (C) en el eje al girarla en sentido de las agujas del reloj (D). Asegúrese de que quede fijamente instalada.
3. Quite la llave de bloqueo (A).

Para quitar la cabeza cortadora de nailon, gírela en sentido contrario a las agujas del reloj (E).

Operación

ADVERTENCIA:

- Si el aditamento cortador se mueve durante el estado pasivo del motor en marcha, ajuste para bajar la velocidad del motor en estado pasivo. De lo contrario no podrá parar el aditamento cortador al desactivar el acelerador, lo cual puede causar lesiones graves.
- Siga las advertencias y precauciones que se indican en el capítulo "Medidas de seguridad", así como en el manual de instrucciones del equipo motorizado.

Durante la operación, use la punta del cordón cortador de nailon para cortar.

Alimentación del cordón cortador de nailon

A medida que el cordón cortador de nailon se desgaste y acorte con la operación de corte, el operador requerirá hacer manualmente la alimentación.

Para la alimentación del cordón cortador de nailon, golpetee ligeramente la cabeza cortadora de nailon en el suelo mientras esté con una rotación aproximada de 6 000 r/min.

Nota: Si el cordón cortador de nailon no responde a la alimentación, rebobínelo. Refiérase al capítulo "Inspección y mantenimiento".

Inspección y mantenimiento

⚠ ADVERTENCIA:

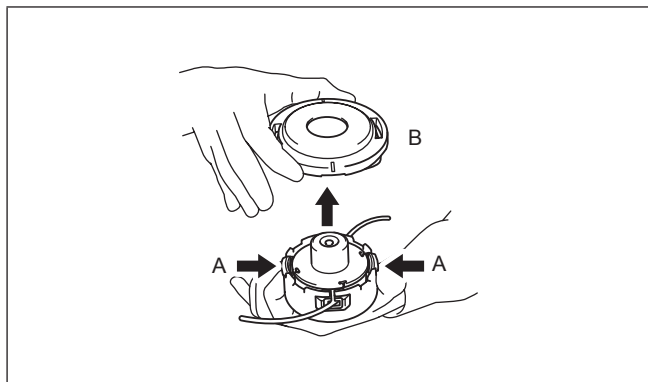
- Antes de inspeccionar o dar servicio de mantenimiento al equipo, apague el motor y quite la tapa de la bujía de encendido. De lo contrario, puede que el aditamento cortador u otras piezas se muevan resultando en graves lesiones.
- Recueste el equipo siempre que lo vaya a ensamblar o al hacer ajustes en éste. Tener el equipo erguido en posición vertical durante el ensamblado o el ajuste puede resultar en graves lesiones.
- Siga las advertencias y precauciones que se indican en el capítulo "Medidas de seguridad", así como en el manual de instrucciones del equipo motorizado.

Rebobinado del cordón cortador de nailon

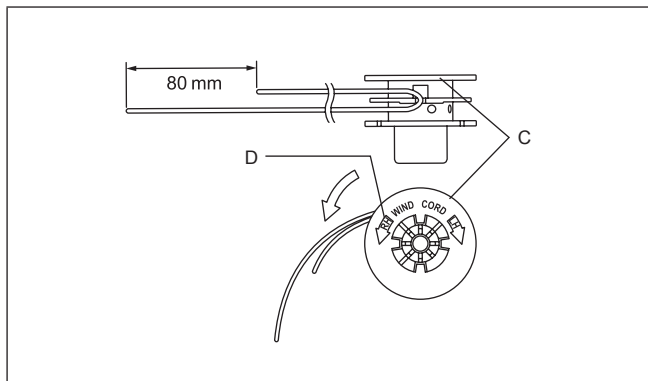
⚠ **ADVERTENCIA:** Tras rebobinar el cordón cortador de nailon, asegúrese que la cubierta de la cabeza cortadora se encuentre fija en la carcasa. De lo contrario, puede que la cabeza cortadora de nailon se desprenda y salga arrojada resultando en grave lesiones personales.

Para rebobinar el cordón cortador de nailon, proceda como se indica a continuación.

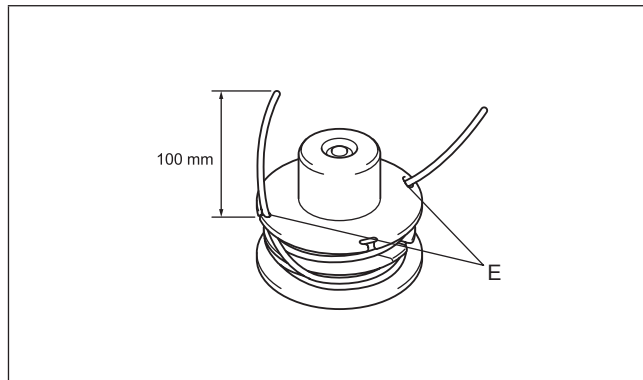
1. Presione las aldabillas (A) y quite la cubierta (B). Quite el resto del cordón de nailon.



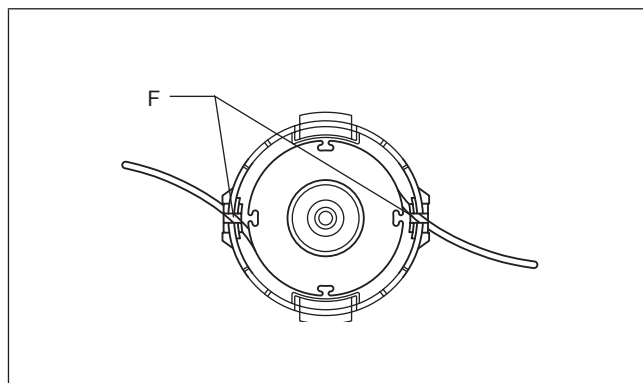
2. Enganche la sección media de un nuevo cordón de nailon en la muesca ubicada en el centro del carrete (C). Un extremo del cordón deberá quedar alrededor de 80 mm más largo que el otro extremo.



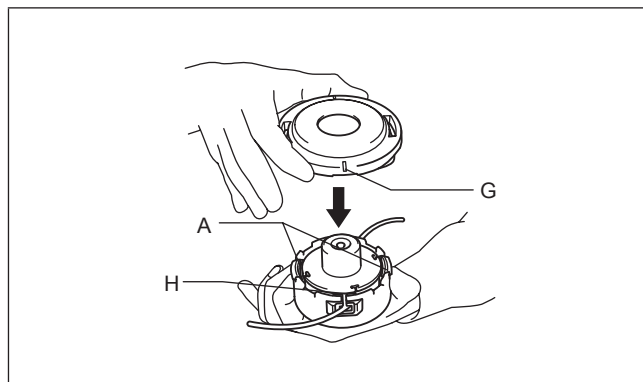
3. Embobine firmemente ambos extremos alrededor del carrete en la dirección indicada por la flecha "RH" (D). "RH" indica la dirección de embobinado para las desbrozadoras con rotación a mano derecha.
4. Embobine todo el cordón dejando sin enrollar alrededor de 100 mm de cada extremo. Sujete temporalmente los extremos enganchados a través de las muescas (E).



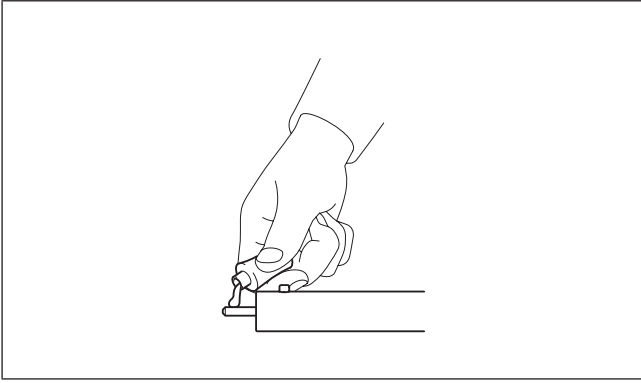
5. Coloque el carrete en la carcasa de tal forma que las ranuras y protuberancias se embonen entre sí.
6. Desenganche los extremos del cordón de su posición temporal e introdúzcalos por los ojales (F) para que salgan de la carcasa.



7. Alinee la protuberancia (G) sobre el lado inferior de la cubierta con las ranuras (H) de los ojales. Luego empuje la cubierta con firmeza en la carcasa para fijarla. Asegúrese que las aldabillas (A) queden completamente extendidas en la cubierta.



Lubricación de las piezas móviles



AVISO: Siga las indicaciones sobre la frecuencia y cantidad de grasa a ser suministrada. De lo contrario, puede que una lubricación insuficiente ocasione daños en las piezas móviles.

Eje de operación:

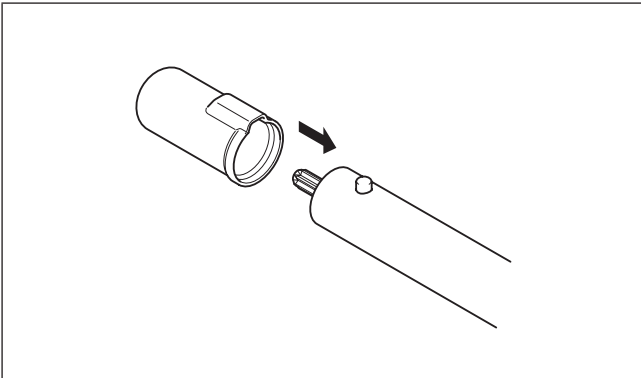
Aplique grasa (Shell Alvania No. 2 o equivalente) por cada 25 horas de operación.

Inspección general

- Apriete los pernos, tornillos y tuercas que estén sueltos.
- Revise si hay piezas dañadas. Acuda a los centros de servicio autorizado de Makita para piezas de repuesto.

Almacenamiento

⚠ ADVERTENCIA: Siga las advertencias y precauciones que se indican en el capítulo "Medidas de seguridad", así como en el manual de instrucciones del equipo motorizado.



Al almacenar el accesorio para desbrozadora por separado del equipo motorizado, coloque la tapa en el extremo del eje.

Programa de mantenimiento

Horas de operación		Antes de la operación	25 h	Página correspondiente
Toda la unidad	Inspeccionar visualmente para detección de daños en las piezas	○		20
Fijación de todas las tuercas y los tornillos	Apretar	○		20
Eje de operación	Suministrar grasa		○	20
Equipo motorizado	Consulte el manual de instrucciones del equipo motorizado			

Resolución de problemas

Problema	Causa probable	Solución
El motor no arranca.	Consulte el manual de instrucciones del equipo motorizado.	
El motor se para al poco tiempo de arrancar.		
La velocidad máxima es limitada.		
El aditamento cortador no gira. ➔ ¡Pare el motor de inmediato!	El aditamento cortador no está fijamente apretado.	Apriete con firmeza el aditamento cortador.
	Se ha enredado una ramilla entre el aditamento cortador y el protector.	Quite los residuos y materia ajena.
	El sistema de accionamiento no funciona correctamente.	Solicite un servicio de inspección y reparación en un centro de servicio autorizado de Makita.
El equipo vibra de forma anormal. ➔ ¡Pare el motor de inmediato!	El aditamento cortador se ha roto o descompuesto.	Reemplace el aditamento cortador con uno nuevo.
	El aditamento cortador no está fijamente apretado.	Apriete con firmeza el aditamento cortador.
	Un extremo del cordón cortador de nailon se ha roto y la cabeza cortadora de nailon se ha desbalanceado.	Realice la alimentación del cordón cortador de nailon al golpetear ligeramente la cabeza cortadora de nailon en el suelo.
	El sistema de accionamiento no funciona correctamente.	Solicite un servicio de inspección y reparación en un centro de servicio autorizado de Makita.
El aditamento cortador no se detiene. ➔ ¡Pare el motor de inmediato!	El equipo motorizado no funciona correctamente.	Consulte el manual de instrucciones del equipo motorizado.
El cordón cortador de nailon no responde al proceso de alimentación.	Se ha agotado el cordón o se ha enredado en el carrete.	Rebobine el cordón.
El cordón cortador de nailon no se corta a la longitud apropiada.	El cortador del cordón en el protector se ha dañado o está ausente.	Acuda a los centros de servicio autorizado de Makita para reemplazar el cortador del cordón.
	El cordón se extiende más allá del protector.	Rebobine el cordón.

Información técnica

Modelo	ER400MP	
Dimensiones (La x An x Al)	pulgada (mm)	27-3/4" x 10-5/8" x 15-3/4" (703 x 270 x 402)
Peso	lbs (kg)	1,2 (0,5)
Diámetro de corte	pulgada (mm)	16-1/8" (410)

<USA only>

WARNING

The engine exhaust from this product contains chemicals known to the State of California to cause cancer, birth defects or other reproductive harm.

<USA solamente>

ADVERTENCIA

Los gases de escape del motor de este producto contienen sustancias químicas conocidas en el Estado de California como causantes de cáncer, defectos genéticos y otros problemas relacionados con la reproducción.

Makita Corporation

3-11-8, Sumiyoshi-cho,
Anjo, Aichi 446-8502 Japan