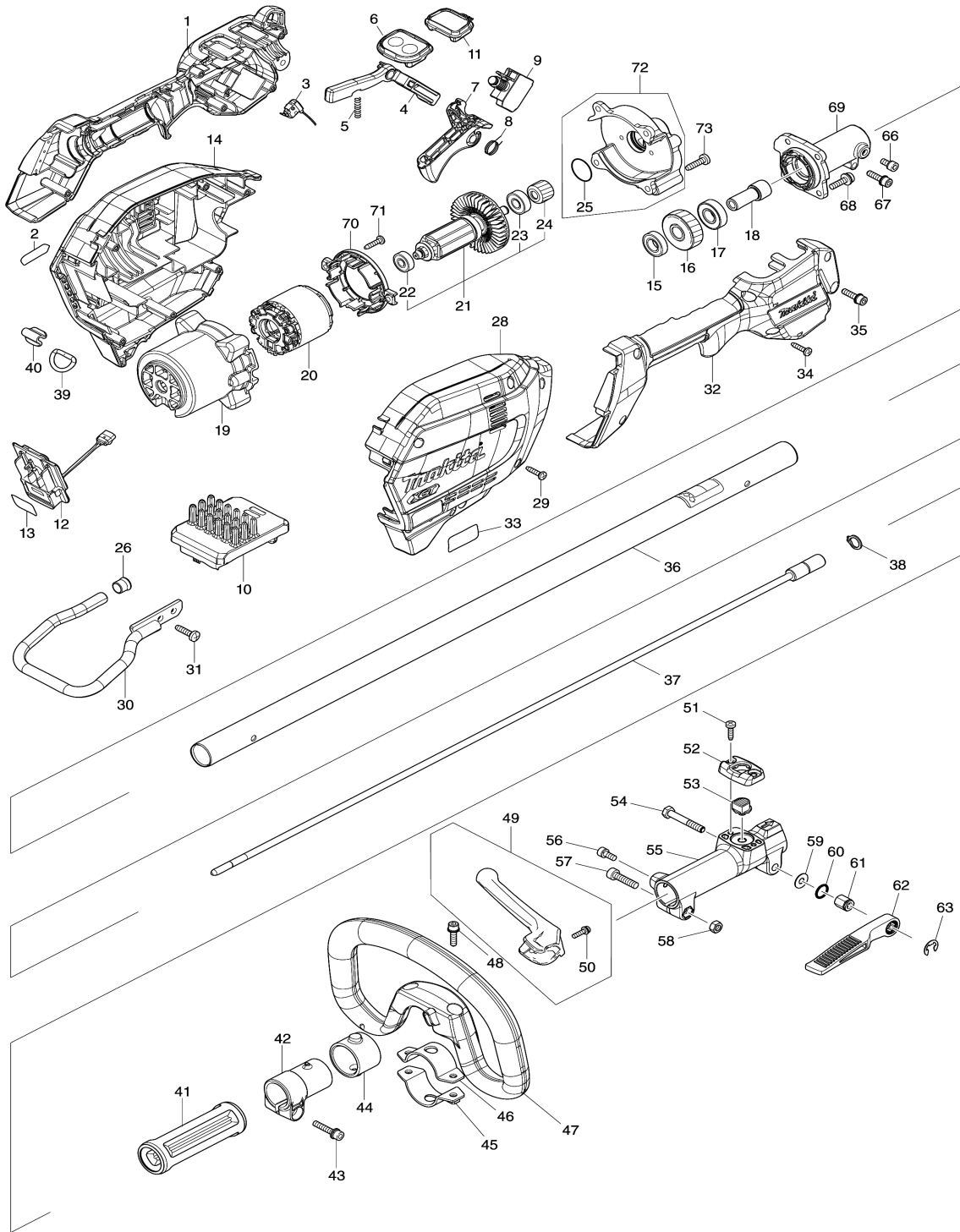




GUX01



Products with multiple versions are listed in subsiding order with the newest version on top not indented.

Section	Fig. No.	Part No.	Description	GUX01	Tech Bulletin	Notes
1	1	183N26-2	GRIP SET	1		INC. 32
1	2	8025F3-0	XGT LOGO LABEL	1		
1	3	632G61-0	SWITCH UNIT	1		
1	4	459759-0	LOCK OFF LEVER	1		
1	5	233101-1	COMPRESSION SPRING 4	1		
1	6	140W64-1	SWITCH CIRCUIT COMPLETE G	1		
1	7	459758-2	SWITCH LEVER	1		
1	8	233622-3	TORSION SPRING 12	1		
1	9	651436-2	SWITCH C3JW-1A-P-2	1		
1	10	620D95-7	CONTROLLER	1		
1	11	140W63-3	INDICATION CIRCUIT COMPLETE	1		
1	12	632P49-4	TERMINAL UNIT	1		
1	13	8026G3-3	GUX01 SERIAL NO. LABEL	1		
1	14	183S13-1	HOUSING SET	1		INC. 28
1	15	211150-8	BALL BEARING 6901ZZ	1		
1	16	227848-7	HELICAL GEAR 33	1		
1	17	211131-2	BALL BEARING 6001DDW	1		
1	18	325811-5	SPINDLE HUB	1		
1	19	412961-6	MOTOR HOUSING	1		
1	20	629A25-7	STATOR	1		
1	21	519647-4	ROTOR ASS'Y	1		INC. 22-24
1	22	210062-2	BALL BEARING 607ZZ	1		
1	23	210005-4	BALL BEARING 608DDW	1		
1	24	227834-8	HELICAL GEAR 16	1		
1	25	213961-7	O RING 22	1		
1	26	422230-7	CAP	1		
1	28	183S13-1	HOUSING SET	1		INC. 14
1	29	266326-2	TAPPING SCREW 4X18	6		
1	30	347752-5	BATTERY GUARD	1		
1	31	266420-0	TAPPING SCREW 5X20	2		
1	32	183N26-2	GRIP SET	1		INC. 1
1	33	8025Y7-5	GUX01 NAME PLATE	1		
1	34	266326-2	TAPPING SCREW 4X18	6		
1	35	922233-6	H.S.H.BOLT M5X20 WITH WR	1		
1	36	140W65-9	SHAFT PIPE B COMPLETE	1		

Products with multiple versions are listed in subsiding order with the newest version on top not indented.

Section	Fig. No.	Part No.	Description	GUX01	Tech Bulletin	Notes
1	37	141238-9	SHAFT B COMPLETE	1		
1	38	961052-5	RETAINING RING S-12	1		
1	39	327742-4	D RING 20	1		
1	40	347783-4	RING SUPPORT	1		
1	41	451601-1	SPACER 24	1		
1	42	457269-1	PIPE HOLDER 24	1		
1	43	922244-1	H.S.H.BOLT M5X25 WITH WG	1		
1	44	424942-8	DAMPER	1		
1	45	347114-7	LOWER CLAMP 35	1		
1	46	347113-9	UPPER CLAMP 35	1		
1	47	457772-2	LOOP HANDLE	1		
1	48	922234-4	H.S.H.BOLT M5X20 WITH WG	2		
1	49	144315-6	BARRIER COMPLETE	1		INC. 50
1	50	911128-8	P.H.SCREW M4X16 WITH WR	1		
1	51	266034-5	TAPPING SCREW CT 4X16	2		
1	52	452840-6	RELEASE BUTTON COVER	1		
1	53	452839-1	RELEASE BUTTON	1		
1	54	265596-0	HEX.BOLT M6X40	1		
1	55	318750-6	JOINT 24	1		
1	56	922211-6	H.S.H.BOLT M5X12 WITH W	1		
1	57	922342-1	HEX. SOCKET HEAD BOLT M6X25	1		
1	58	931302-2	HEX. NUT M6	1		
1	59	253332-6	THIN WASHER 6	1		
1	60	213105-9	O RING 11	1		
1	61	252159-1	HEX. NUT M6	1		
1	62	272268-0	LEVER 94	1		
1	63	961014-3	STOP RING E-8	1		
1	66	922211-6	H.S.H.BOLT M5X12 WITH W	1		
1	67	922233-6	H.S.H.BOLT M5X20 WITH WR	1		
1	68	911233-1	PAN HEAD SCREW M5X20	4		
1	69	140Y38-4	PIPE BRACKET COMPLETE	1		
1	70	459764-7	BAFFLE PLATE	1		
1	71	266326-2	TAPPING SCREW 4X18	2		
1	72	136368-9	GEAR BOX ASSY	1		INC. 25
1	73	266420-0	TAPPING SCREW 5X20	4		