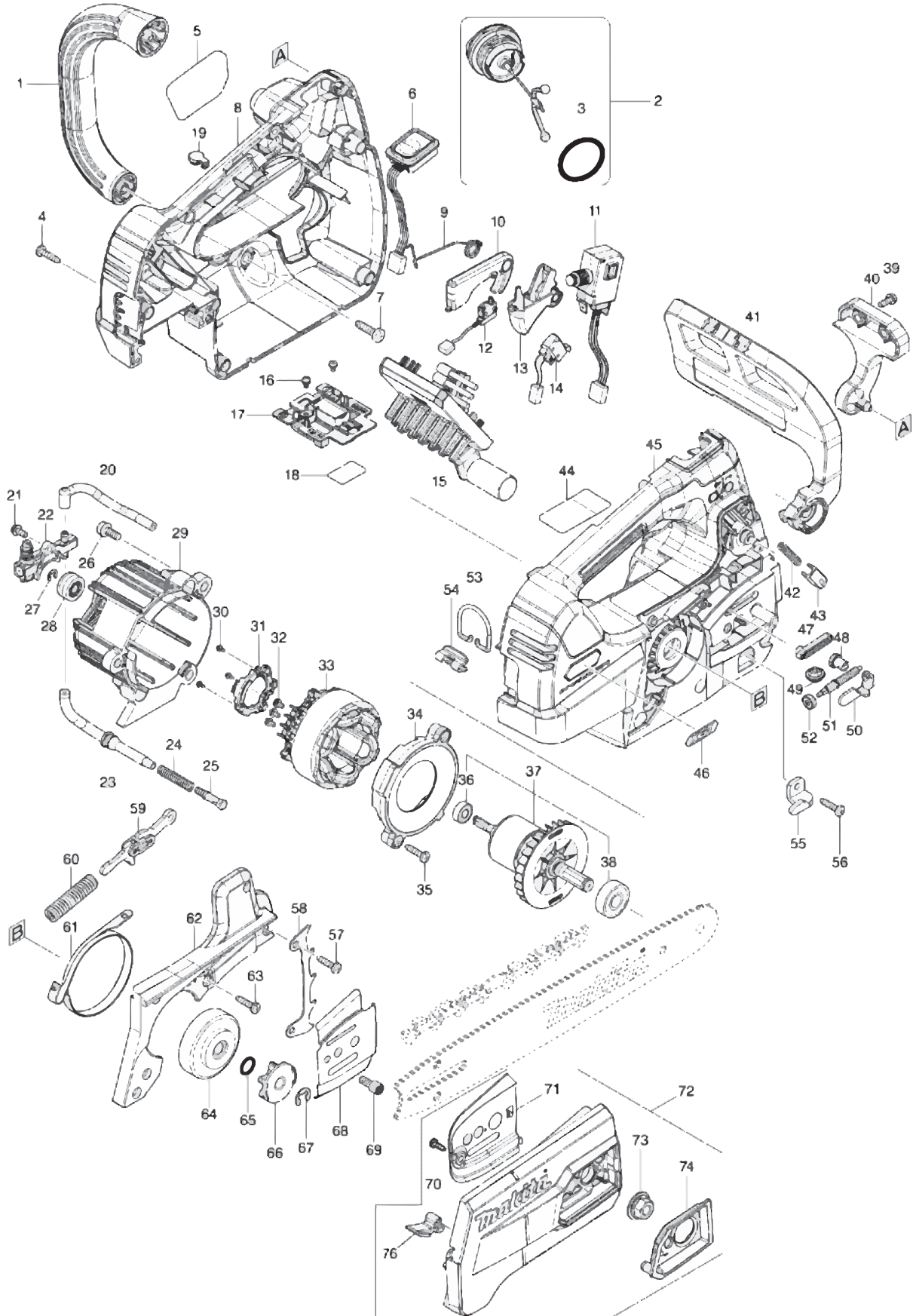




**GCU01**



Products with multiple versions are listed in subsiding order with the newest version on top not indented.

| Section | Fig. No. | Part No. | Description                  | GCU01 | Tech Bulletin | Notes                       |
|---------|----------|----------|------------------------------|-------|---------------|-----------------------------|
| 1       | 1        | 413979-0 | FRONT HANDLE                 | 1     |               |                             |
| 1       | 2        | 122A77-2 | TANK CAP ASSEMBLY            | 1     |               | INC. 3                      |
| 1       | 3        | 213080-9 | O RING 29.5                  | 1     |               |                             |
| 1       | 4        | 266326-2 | TAPPING SCREW 4X18           | 8     |               |                             |
| 1       | 6        | 141G07-0 | SWITCH CIRCUIT COMPLETE      | 1     |               |                             |
| 1       |          | 810D46-0 | SWITCH LABEL                 | 1     |               | INC WITH FIG 6/NOT PICTURED |
| 1       | 7        | 266420-0 | TAPPING SCREW 5X20           | 2     |               |                             |
| 1       | 8        | 183U58-1 | HOUSING SET                  | 1     |               | INC. 19,45                  |
| 1       |          | 263005-3 | RUBBER PIN 6                 | 2     |               | INC WITH FIG 8/NOT PICTURED |
| 1       | 9        | 232713-7 | TORSION SPRING 10            | 1     |               |                             |
| 1       | 10       | 413987-1 | CATCH LEVER                  | 1     |               |                             |
| 1       | 11       | 650011-1 | SWITCH C3JR-4BM-PAND3        | 1     |               |                             |
| 1       | 12       | 632L49-0 | SWITCH UNIT                  | 1     |               |                             |
| 1       | 13       | 459282-5 | SWITCH LEVER                 | 1     |               |                             |
| 1       | 14       | 632L48-2 | SWITCH UNIT                  | 1     |               |                             |
| 1       | 15       | 620F01-4 | CONTROLLER                   | 1     |               |                             |
| 1       | 16       | 652031-1 | PAN HEAD SCREW M3X6          | 2     |               |                             |
| 1       | 17       | 632S63-8 | TERMINAL UNIT                | 1     |               |                             |
| 1       | 19       | 422467-6 | CAP                          | 1     |               |                             |
| 1       | 20       | 422764-0 | OIL TUBE 3-85                | 1     |               |                             |
| 1       | 21       | 911113-1 | PAN HEAD SCREW M4X10 WITH WR | 1     |               |                             |
| 1       | 22       | 142156-4 | OIL PUMP COMPLETE            | 1     |               |                             |
| 1       | 23       | 422765-8 | OIL TUBE 3-109               | 1     |               |                             |
| 1       | 24       | 231975-4 | SPRING                       | 1     |               |                             |
| 1       | 25       | 452666-6 | NIPPLE                       | 1     |               |                             |
| 1       | 26       | 911218-7 | PAN HEAD SCREW M5X14         | 3     |               |                             |
| 1       | 27       | 961011-9 | STOP RING E-4                | 1     |               |                             |
| 1       | 28       | 226884-0 | WORM GEAR                    | 1     |               |                             |
| 1       | 29       | 413904-1 | MOTOR HOUSING                | 1     |               |                             |
| 1       | 30       | 652093-9 | PAN HEAD SCREW M2X5          | 3     |               |                             |
| 1       | 31       | 620F73-9 | SENSOR UNIT                  | 1     |               |                             |

Products with multiple versions are listed in subsiding order with the newest version on top not indented.

| Section | Fig. No. | Part No. | Description               | GCU01 | Tech Bulletin | Notes                        |
|---------|----------|----------|---------------------------|-------|---------------|------------------------------|
| 1       | 32       | 652069-6 | FLAT HEAD SCREW M3X6      | 3     |               |                              |
| 1       | 33       | 629A85-9 | STATOR                    | 1     |               |                              |
| 1       | 34       | 413980-5 | BAFFLE PLATE              | 1     |               |                              |
| 1       | 35       | 266326-2 | TAPPING SCREW 4X18        | 2     |               |                              |
| 1       | 36       | 210026-6 | BALL BEARING 696ZZ        | 1     |               |                              |
| 1       | 37       | 519710-3 | ROTOR ASSY                | 1     |               | INC. 36,38                   |
| 1       | 38       | 210059-1 | BALL BEARING 6000DDW      | 1     |               |                              |
| 1       | 39       | 911118-1 | PAN HEAD SCREW M4X12      | 2     |               |                              |
| 1       | 40       | 413907-5 | FRONT HAND GUARD RETAINER | 1     |               |                              |
| 1       | 41       | 141E63-8 | FRONT HAND GUARD COMPLETE | 1     |               |                              |
| 1       | 42       | 232714-5 | COMPRESSION SPRING 3      | 1     |               |                              |
| 1       | 43       | 313212-9 | HAND GUARD GUIDE          | 1     |               |                              |
| 1       | 45       | 183U58-1 | HOUSING SET               | 1     |               | INC. 8,19                    |
| 1       |          | 263005-3 | RUBBER PIN 6              | 2     |               | INC WITH FIG 45/NOT PICTURED |
| 1       | 47       | 422466-8 | GROMET                    | 1     |               |                              |
| 1       | 48       | 227620-7 | DRIVE GEAR 14             | 1     |               |                              |
| 1       | 49       | 227634-6 | STRAIGHT BEVEL GEAR 14    | 1     |               |                              |
| 1       | 50       | 347517-5 | TENSION SLIDE             | 1     |               |                              |
| 1       | 51       | 327317-9 | ADJUST SCREW              | 1     |               |                              |
| 1       | 52       | 227496-2 | STRAIGHT BEVEL GEAR 14    | 1     |               |                              |
| 1       | 53       | 281222-3 | HOOK                      | 1     |               |                              |
| 1       | 54       | 347514-1 | HOOK SUPPORT              | 1     |               |                              |
| 1       | 55       | 347516-7 | CHAIN CATCHER             | 1     |               |                              |
| 1       | 56       | 266326-2 | TAPPING SCREW 4X18        | 1     |               |                              |
| 1       | 57       | 266326-2 | TAPPING SCREW 4X18        | 2     |               |                              |
| 1       | 58       | 346809-9 | SPIKE BUMPER              | 1     |               |                              |
| 1       | 59       | 141E60-4 | LINK PLATE COMPLETE       | 1     |               |                              |
| 1       | 60       | 232452-9 | COMPRESSION SPRING 7      | 1     |               |                              |
| 1       | 61       | 347864-4 | BRAKE BAND                | 1     |               |                              |
| 1       | 62       | 413981-3 | HOUSING R COVER           | 1     |               |                              |
| 1       | 63       | 266326-2 | TAPPING SCREW 4X18        | 5     |               |                              |
| 1       | 64       | 162979-4 | BRAKE DRUM                | 1     |               |                              |
| 1       | 65       | 213060-5 | O RING 10                 | 1     |               |                              |

Products with multiple versions are listed in subsiding order with the newest version on top not indented.

| Section | Fig. No. | Part No. | Description                 | GCU01 | Tech Bulletin | Notes               |
|---------|----------|----------|-----------------------------|-------|---------------|---------------------|
| 1       | 66       | 191V90-7 | SPROCKET 6 SET              | 1     |               | 3/8 STANDARD        |
| 1       | 66       | 191V91-5 | SPROCKET 7 SET              | 1     |               | .325 NANO ACCESSORY |
| 1       | 67       | 961013-5 | STOP RING E-7               | 1     |               |                     |
| 1       | 68       | 347533-7 | GUIDE PLATE L               | 1     |               |                     |
| 1       | 69       | 266905-6 | H.L. SOCKET HEAD BOLT M5X12 | 1     |               |                     |
| 1       | 70       | 266007-8 | TAPPING SCREW BIND PT 3X10  | 1     |               |                     |
| 1       | 71       | 347534-5 | GUIDE PLATE R               | 1     |               |                     |
| 1       | 72       | 136573-8 | SPROCKET COVER ASS'Y        | 1     |               | INC. 70,71,73,74,76 |
| 1       | 73       | 162494-8 | FLANGE NUT COMPLETE         | 1     |               |                     |
| 1       | 74       | 413986-3 | NUT COVER                   | 1     |               |                     |
| 1       | 76       | 422310-9 | CHIP GUIDE                  | 1     |               |                     |
| 1       | A01      | E-00066  | GUIDE BAR 12 SET            | 1     |               | 3/8 .043 STANDARD   |
| 1       | A01      | E-13122  | GUIDE BAR 12 SET            | 1     |               | .325 .043 ACCESSORY |
| 1       | A02      | 419242-9 | CHAIN COVER                 | 1     |               |                     |
| 1       | A03      | E-02440  | SAW CHAIN 12 SET            | 1     |               | 3/8 .043 STANDARD   |
| 1       | A03      | E-13079  | SAW CHAIN 12 SET            | 1     |               | .325 .043 ACCESSORY |
| 1       | A05      | 782023-7 | WRENCH 13-16                | 1     |               |                     |