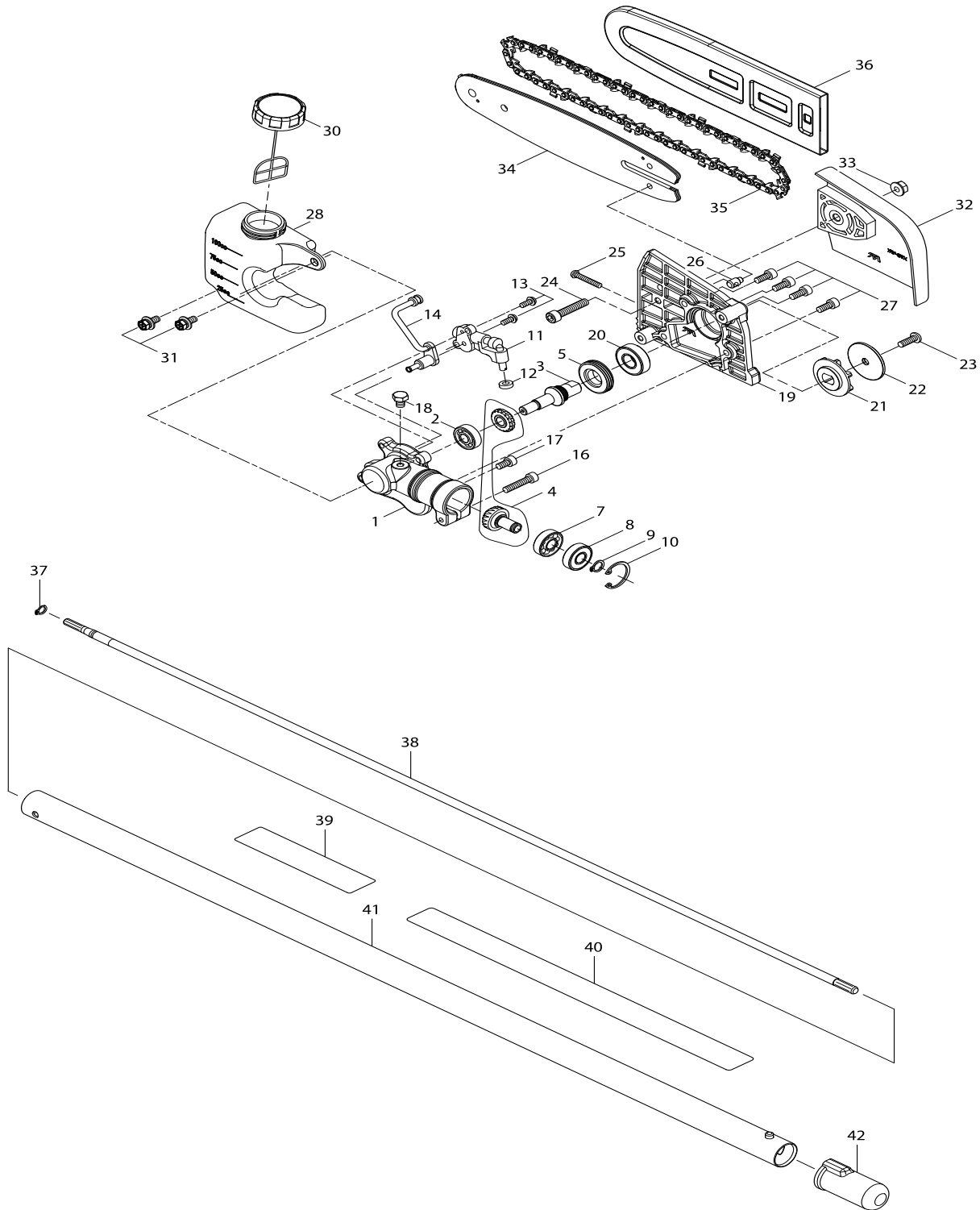




**EY401MP**  
**PS-CS1**



Products with multiple versions are listed in subsiding order with the newest version on top not indented.

| Section | Fig. No. | Part No.     | Description                  | EY401MP | PS-CS1 | Tech Bulletin | Notes |
|---------|----------|--------------|------------------------------|---------|--------|---------------|-------|
| 1       | 1        | XTM0000001   | GEAR CASE A                  | 1       | 1      |               |       |
| 1       | 2        | XTM0000002   | BALL BEARING 608             | 1       | 1      |               |       |
| 1       | 3        | XTM0000024   | GEAR SHAFT                   | 1       | 1      |               |       |
| 1       | 4        | XTM0000004   | BEVEL GEAR SHAFT             | 1       | 1      |               |       |
| 1       | 5        | XTM0000005   | WORM WHEEL                   | 1       | 1      |               |       |
| 1       | 7        | XTM0000006   | BALL BEARING 609             | 1       | 1      |               |       |
| 1       | 8        | XTM0000007   | BALL BEARING 609Z            | 1       | 1      |               |       |
| 1       | 9        | 961005-4     | RETAINING RING S-9           | 1       | 1      |               |       |
| 1       | 10       | 962103-7     | RETAINING RING R-24          | 1       | 1      |               |       |
| 1       | 11       | XTM0000025   | OIL PUMP                     | 1       | 1      |               |       |
| 1       | 12       | XTM0000009   | SEAL                         | 1       | 1      |               |       |
| 1       | 13       | 911111-5     | PAN HEAD SCREW M4X10         | 2       | 2      |               |       |
| 1       | 14       | XTM0000010   | OIL PIPE ASSY                | 1       | 1      |               |       |
| 1       | 16       | 9222242-5    | HEX. SOCKET HEAD BOLT M5X25  | 1       | 1      |               |       |
| 1       | 17       | 9222207-7    | HEX. SOCKET HEAD BOLT M5X10  | 1       | 1      |               |       |
| 1       | 18       | XTM0000011   | HB BOLT 6X8                  | 1       | 1      |               |       |
| 1       | 19       | XTM0000027   | GEAR CASE B                  | 1       | 1      |               |       |
| 1       | 20       | XTM0000013   | BALL BEARING 6001DDW         | 1       | 1      |               |       |
| 1       | 21       | XTM0000014   | SPROCKET                     | 1       | 1      |               |       |
| 1       | 22       | XTM0000015   | SPROCKET WASHER              | 1       | 1      |               |       |
| 1       | 23       | XTM0000016   | H.S. BOTTOM HEAD SCREW M6X15 | 1       | 1      |               |       |
| 1       | 24       | 922352-8     | HEX. SOCKET HEAD BOLT M6X30  | 1       | 1      |               |       |
| 1       | 25       | XTM0000017   | ADJUSTER SCREW M4X25         | 1       | 1      |               |       |
| 1       | 26       | 601-30891-00 | ADJUSTER                     | 1       | 1      |               |       |
| 1       | 27       | 922212-4     | HEX SOCKET HEAD BOLT M5X12   | 4       | 4      |               |       |
| 1       | 28       | XTM0000019   | OIL TANK ASS'Y               | 1       | 1      |               |       |
| 1       | 30       | XTM0000020   | TANK CAP ASS'Y               | 1       | 1      |               |       |
| 1       | 31       | XTM0000021   | H.S.H. BOLT M5X12SW          | 2       | 2      |               |       |
| 1       | 32       | XTM0000022   | CHAIN COVER                  | 1       | 1      |               |       |
| 1       | 33       | XTM0000023   | FLANGE NUT M6                | 1       | 1      |               |       |
| 1       | 34       | 165700-0     | GUIDE BAR 10                 | 1       | 1      |               |       |
| 1       | 35       | 196725-3     | SAW CHAIN SET                | 1       | 1      |               |       |
| 1       | 36       | 452094-5     | GUIDE BAR CASE               | 1       | 1      |               |       |

Products with multiple versions are listed in subsiding order with the newest version on top not indented.

| Section | Fig. No. | Part No.  | Description        | EY401MP | PS-CS1 | Tech Bulletin | Notes |
|---------|----------|-----------|--------------------|---------|--------|---------------|-------|
| 1       | 37       | 9610003-8 | RETAINING RING S-7 | 1       | 1      |               |       |
| 1       | 38       | 326088-5  | SHAFT A            | 1       | 1      |               |       |
| 1       | 39       | 819312-8  | MAKITA LOGO LABEL  | 1       |        |               |       |
| 1       | 39       | 893388-3  | DOLMAR LOGO LABEL  |         | 1      |               |       |
| 1       | 40       | 809J24-1  | CAUTION LABEL      | 1       |        |               |       |
| 1       | 40       | 806J62-4  | CAUTION LABEL      |         | 1      |               |       |
| 1       | 41       | 141106-6  | SHAFT A COMPLETE   | 1       | 1      |               |       |
| 1       | 42       | 424434-7  | CAP 24             | 1       | 1      |               |       |
| 1       | A01      | 782233-6  | BOX DRIVER 10-16   | 1       | 1      |               |       |
| 1       | A02      | 783020-6  | DRIVER             | 1       | 1      |               |       |