

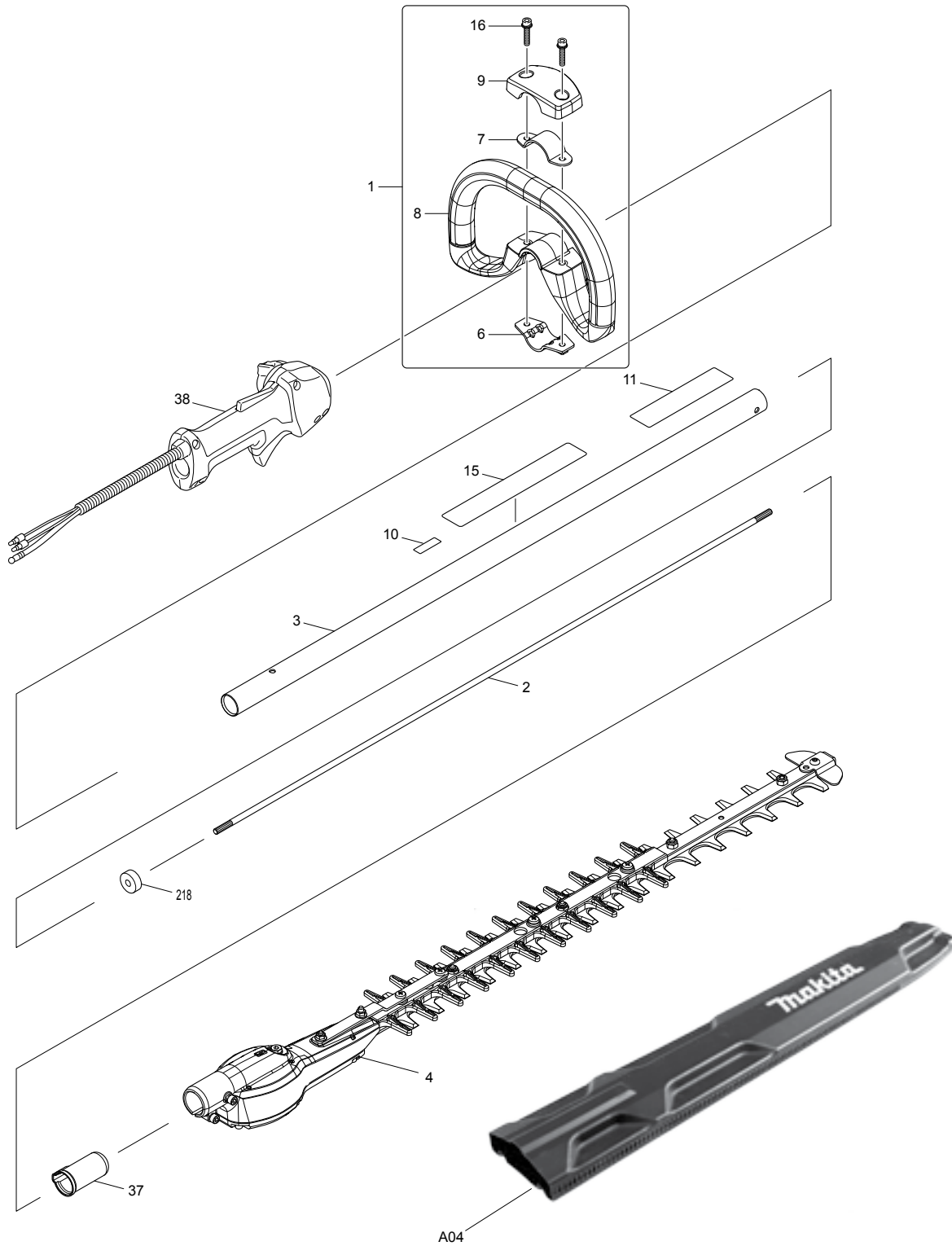


DOLMAR[®]
POWER PRODUCTS

PARTS BREAKDOWN

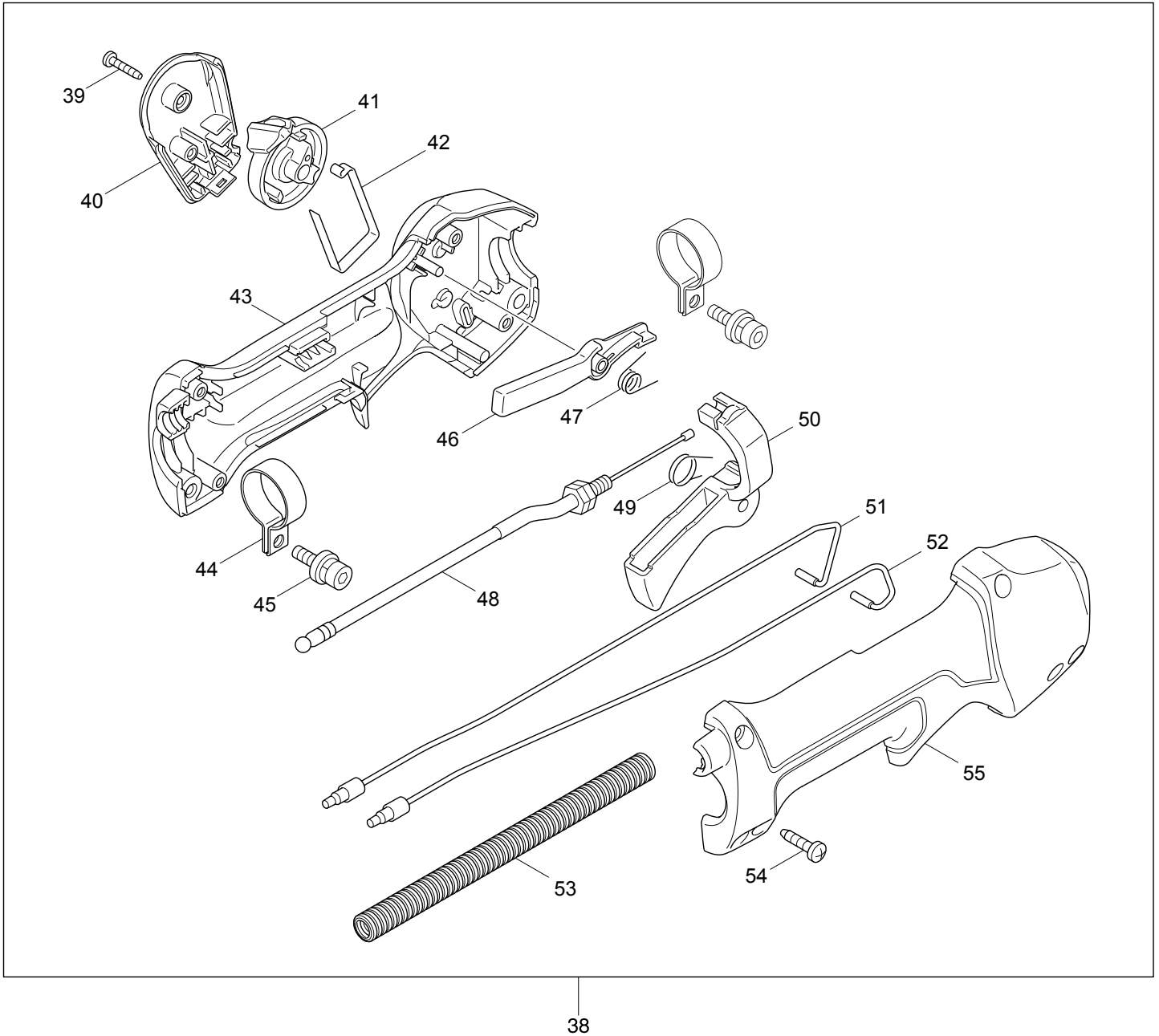
EN5950SH

MH-246.4DS



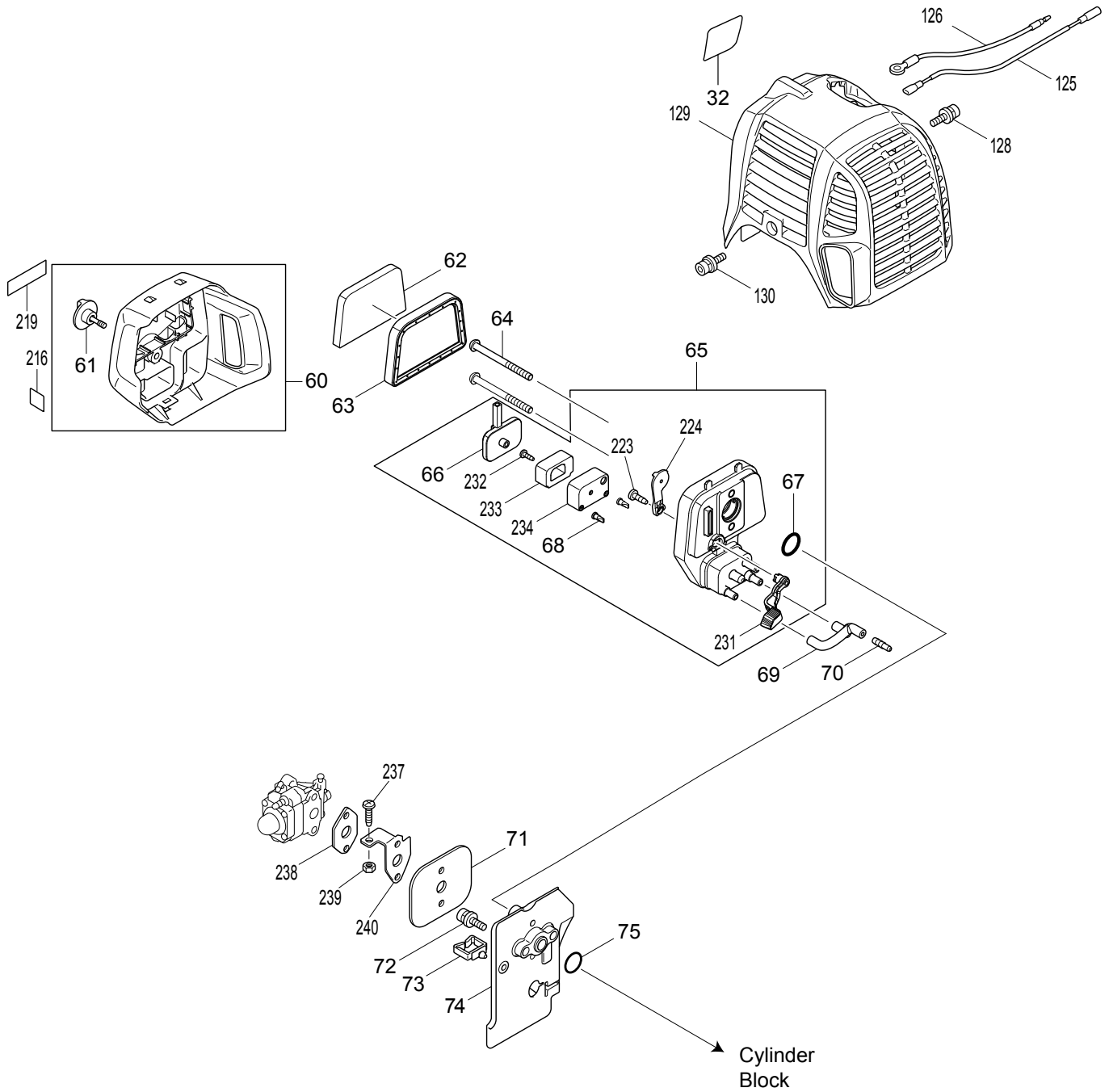
Products with multiple versions are listed in subsiding order with the newest version on top not indented.

Section	Fig. No.	Part No.	Description	EN5950SH	MH-246.4DS	Tech Bulletin	Notes
1	1	195626-2	LOOP HANDLE SET	1	1		INC. 6-9,16
1	2	326036-4	SHAFT	1	1		
1	3	142145-9	SHAFT PIPE COMPLETE	1	1		
1	4	126281-9	TRIMMER HEAD ASSEMBLY	1	1		
1	6	346467-1	CLAMP 24	1	1		
1	7	346468-9	CLAMP 33	1	1		
1	8	452841-4	LOOP HANDLE	1	1		
1	9	452843-0	CLAMP COVER B	1	1		
1	10	814F56-1	SERIAL NO. LABEL	1	1		
1	11	819312-8	MAKITA LOGO LABEL	1			
1	11	893388-3	DOLMAR LOGO LABEL		1		
1	15	800X35-3	CAUTION LABEL	1	1		
1	16	922243-3	HEX. SOCKET HEAD BOLT M5X25	2	2		
1	37	452116-1	CAP	1	1		
1	218	443170-6	FELT	1	1		
1	A04	454278-1	BLADE COVER	1			
1	A04	454282-0	BLADE COVER		1		



Products with multiple versions are listed in subsiding order with the newest version on top not indented.

Section	Fig. No.	Part No.	Description	EN5950SH	MH-246.4DS	Tech Bulletin	Notes
2	38	125776-9	CONTROL LEVER ASSEMBLY	1	1		INC. 39-55
2	39	266130-9	TAPPING SCREW BIND PT 3X16	1	1		
2	40	451595-0	SWITCH COVER	1	1		
2	41	451594-2	SWITCH LEVER	1	1		
2	42	232251-9	LEAF SPRING	1	1		
2	43	188832-6	LEVER CASE SET	1	1		INC. 55
2	44	346248-3	CLAMP 24	2	2		
2	45	922218-2	H.S.H.BOLT M5X14 WITH WR	2	2		
2	46	451593-4	LOCK LEVER	1	1		
2	47	233541-3	TORSION SPRING 7	1	1		
2	48	168571-4	CONTROL CABLE	1	1		
2	49	233540-5	TORSION SPRING 11	1	1		
2	50	451592-6	THROTTLE LEVER	1	1		
2	51	638714-7	LEAD UNIT	1	1		
2	52	638713-9	LEAD UNIT	1	1		
2	53	452071-7	CORRUGATE TUBE	1	1		
2	54	266326-2	TAPPING SCREW 4X18	4	4		
2	55	188832-6	LEVER CASE SET	1	1		INC. 43



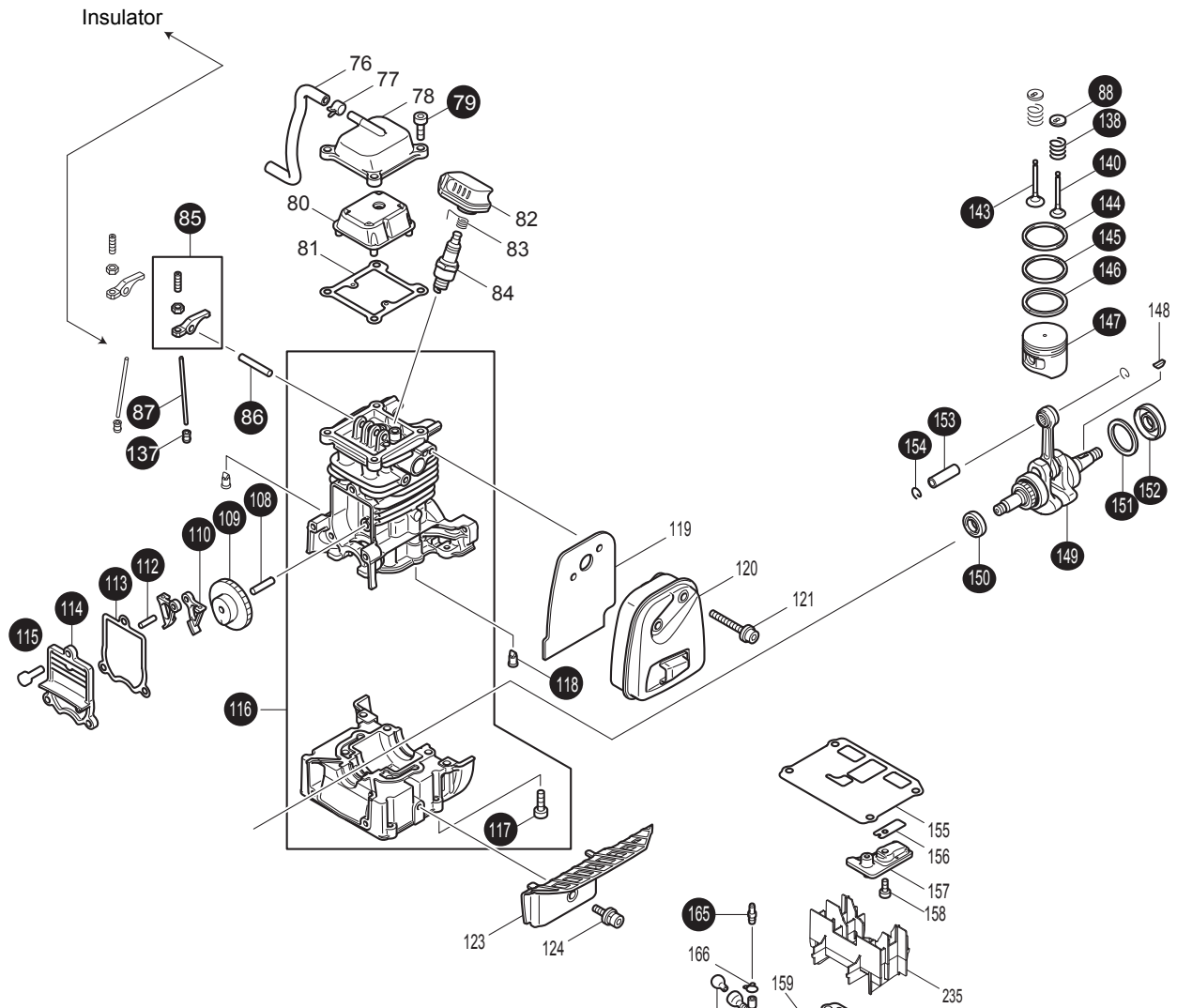
CUT HERE TO OBTAIN PARTS LIST

Products with multiple versions are listed in subsiding order with the newest version on top not indented.

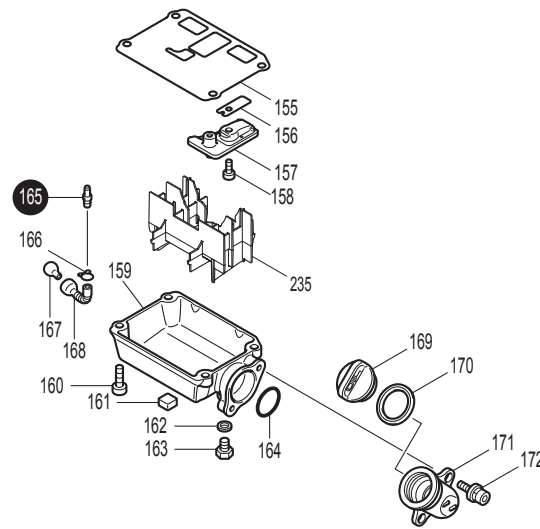
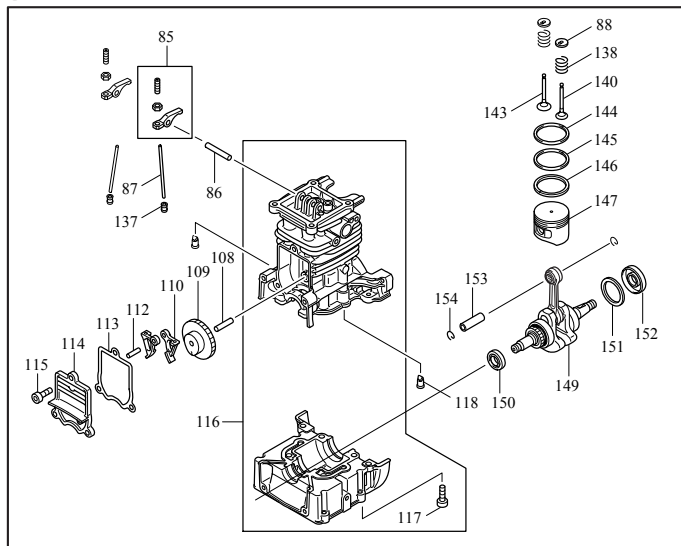
Section	Fig. No.	Part No.	Description	EN5950SH	MH-246.4DS	Tech Bulletin	Notes
3	32	816566-8	GAS EMISSION APPROVAL LABEL	1	1		
3	60	123499-3	CLEANER COVER ASSEMBLY	1	1	B1277	
3	60	126202-1	CLEANER COVER ASSEMBLY	1	1		INC. 61
3	61	265791-2	THUMB SCREW M4	1	1		
3	62	443171-4	AIR CLEANER ELEMENT	1	1		
3	63	443169-1	AIR CLEANER ELEMENT	1	1		
3	64	266871-7	H.S.BUTTON HEAD BOLT M5X60	2	2		
3	65	123501-2	CLEANER PLATE ASSEMBLY	2	2	B1277	
3	65	126198-6	CLEANER PLATE ASSEMBLY	1	1		INC. 66-68,223,224,231-234
3	66	162346-3	SEPARATOR PLATE	1	1		
3	67	213540-1	O RING 15	1	1		
3	68	424316-3	CHECK VALVE	2	2		
3	69	422099-9	PIPE	1	1		
3	70	325665-0	JOINT PIPE	1	1		
3	71	442153-3	CARBURETOR GASKET	1	1		
3	72	266787-6	H.S.H.BOLT M5X18 WITH WR	2	2		
3	73	451825-9	CLAMP	1	1		
3	74	451729-5	INSULATOR	1	1		
3	75	213547-7	O-RING 12	1	1		
3	125	638707-4	LEAD UNIT	1	1		
3	126	638708-2	LEAD UNIT	1	1		
3	128	922218-2	H.S.H.BOLT M5X14 WITH WR	1	1		
3	129	453266-5	CYLINDER COVER	1			
3	129	453569-7	CYLINDER COVER		1		
3	130	922218-2	H.S.H.BOLT M5X14 WITH WR	1	1		
3	216	800F73-7	INDICATION LABEL	1	1		
3	223	266427-6	TAPPING SCREW 4X12	1	1		
3	224	452219-1	CHOKE PLATE	1	1		
3	231	452220-6	CHOKE LEVER	1	1		
3	232	266007-8	TAPPING SCREW BIND PT 3X10	1	1		

Products with multiple versions are listed in subsiding order with the newest version on top not indented.

Section	Fig. No.	Part No.	Description	EN5950SH	MH-246.4DS	Tech Bulletin	Notes
3	233	352020-3	SEPARATOR MESH	1	1		
3	234	453865-3	SEPARATOR CASE	1	1		
3	237	266887-2	H.L. SOCKET HEAD BOLT M4X17	1	1		
3	238	442199-9	GASKET	1	1		
3	239	931102-0	HEX. NUT M4	1	1		
3	240	346730-2	HOLDER	1	1		



Included in Short Block Assembly Fig. No. 320.



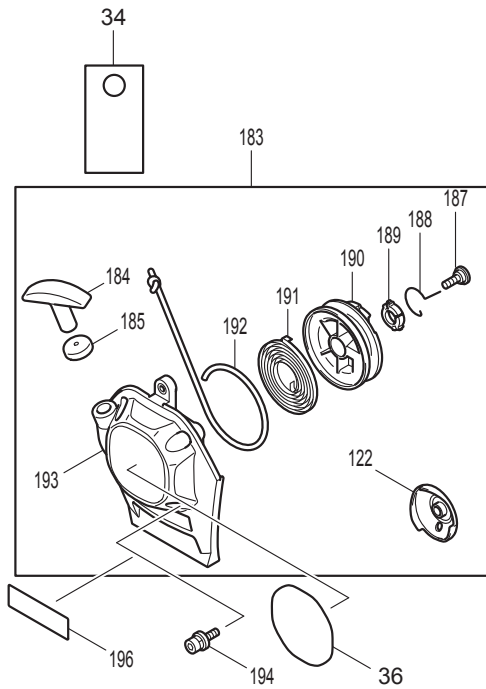
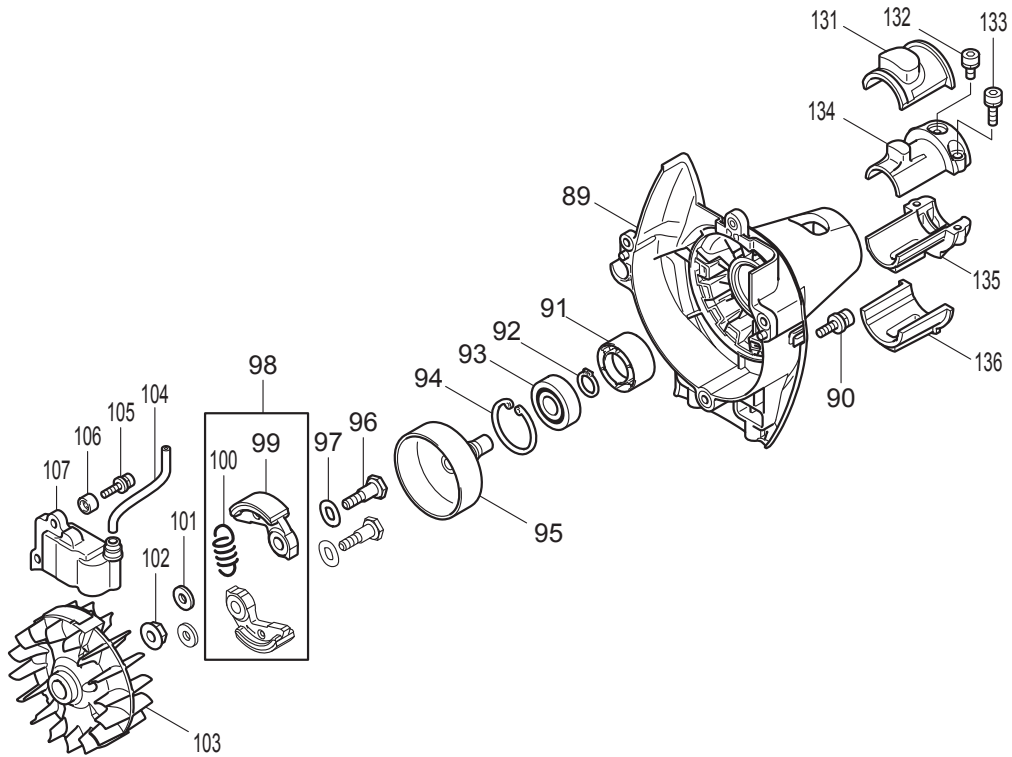
320

Products with multiple versions are listed in subsiding order with the newest version on top not indented.

Section	Fig. No.	Part No.	Description	EN5950SH	MH-246.4DS	Tech Bulletin	Notes
4	76	422109-2	BREATHER PIPE	1	1		
4	77	345918-1	HOSE CLAMP	1	1		
4	78	318745-9	ROCKER COVER OUTER	1	1		
4	79	922222-1	HEX. SOCKET HEAD BOLT M5X16	4	4		
4	80	453860-3	ROCKER COVER INNER	1	1		
4	81	162304-9	ROCKER COVER GASKET	1	1		
4	82	424302-4	PLUG CAP	1	1		
4	83	324891-8	PLUG CAP SPRING	1	1		
4	84	168534-0	SPARK PLUG	1	1		
4	85	125554-7	ROCKER ARM ASSEMBLY	2	2		
4	86	256200-2	PIN 5	1	1		
4	87	256865-0	ROD 2.5	2	2		
4	88	325668-4	SPRING RETAINER	2	2		
4	108	268238-5	PIN 5	1	1		
4	109	125552-1	CAM GEAR ASSEMBLY	1	1		
4	110	313169-4	CAM LIFTER	2	2		
4	112	268239-3	PIN 4	1	1		
4	113	162274-2	CAM GEAR COVER GASKET	1	1		
4	114	318443-5	CAM GEAR COVER	1	1		
4	115	922222-1	HEX. SOCKET HEAD BOLT M5X16	3	3		
4	116	135478-9	CYLINDER BLOCK ASSEMBLY	1	1		INC. 117
4	117	922222-1	HEX. SOCKET HEAD BOLT M5X16	6	6		
4	118	424201-0	CHECK VALVE	2	2		
4	119	346331-6	MUFFLER GASKET	1	1		
4	120	168554-4	EXHAUST MUFFLER	1	1		
4	121	266440-4	HEX SOCKET HEAD BOLT M5X40	2	2		
4	123	451731-8	MUFFLER PLATE	1	1		
4	124	922218-2	H.S.H.BOLT M5X14 WITH WR	1	1		
4	137	424200-2	SPACER	2	2		
4	138	234108-0	COMPRESSION SPRING 9	2	2		
4	140	325669-2	EXHAUST VALVE	1	1		
4	143	325670-7	INTAKE VALVE	1	1		
4	144	195145-8	PISTON RING SET	1	1		
4	147	318441-9	PISTON	1	1		

Products with multiple versions are listed in subsiding order with the newest version on top not indented.

Section	Fig. No.	Part No.	Description	EN5950SH	MH-246.4DS	Tech Bulletin	Notes
4	148	254040-2	WOODRUFF KEY 3	1	1		
4	149	135481-0	CRANK SHAFT ASSEMBLY	1	1		INC. 150-152
4	150	213148-1	OIL SEAL 10	1	1		
4	151	267400-9	FLAT WASHER 23	1	1		
4	152	213147-3	OIL SEAL 12	1	1		
4	153	257781-9	PISTON PIN	1	1		
4	154	233976-8	CLIP	2	2		
4	155	162345-5	OIL CASE GASKET	1	1		
4	156	346083-9	LEAD VALVE	1	1		
4	157	318910-0	RETAINER PLATE	1	1		
4	158	922112-8	HEX. SOCKET HEAD BOLT M4X10	1	1		
4	159	318588-9	OIL CASE	1	1		
4	160	922222-1	HEX. SOCKET HEAD BOLT M5X16	4	4		
4	161	424344-8	DAMPER	1	1		
4	162	346305-7	GASKET	1	1		
4	163	266611-3	HEX BOLT M6X8	1	1		
4	164	213548-5	O-RING 20	1	1		
4	165	325665-0	JOINT PIPE	1	1		
4	166	282020-8	HOSE CLAMP	1	1		
4	167	325666-8	OIL WEIGHT	1	1		
4	168	424301-6	OIL TUBE	1	1		
4	169	452047-4	OIL CAP	1	1		
4	170	424343-0	GASKET	1	1		
4	171	452048-2	OIL PIPE	1	1		
4	172	922218-2	H.S.H.BOLT M5X14 WITH WR	2	2		
4	235	453862-9	OIL CASE PLATE	1	1		
4	320	135668-4	SHORT BLOCK ASSEMBLY	1	1		
4	320	135599-7	SHORT BLOCK ASSEMBLY	1	1		

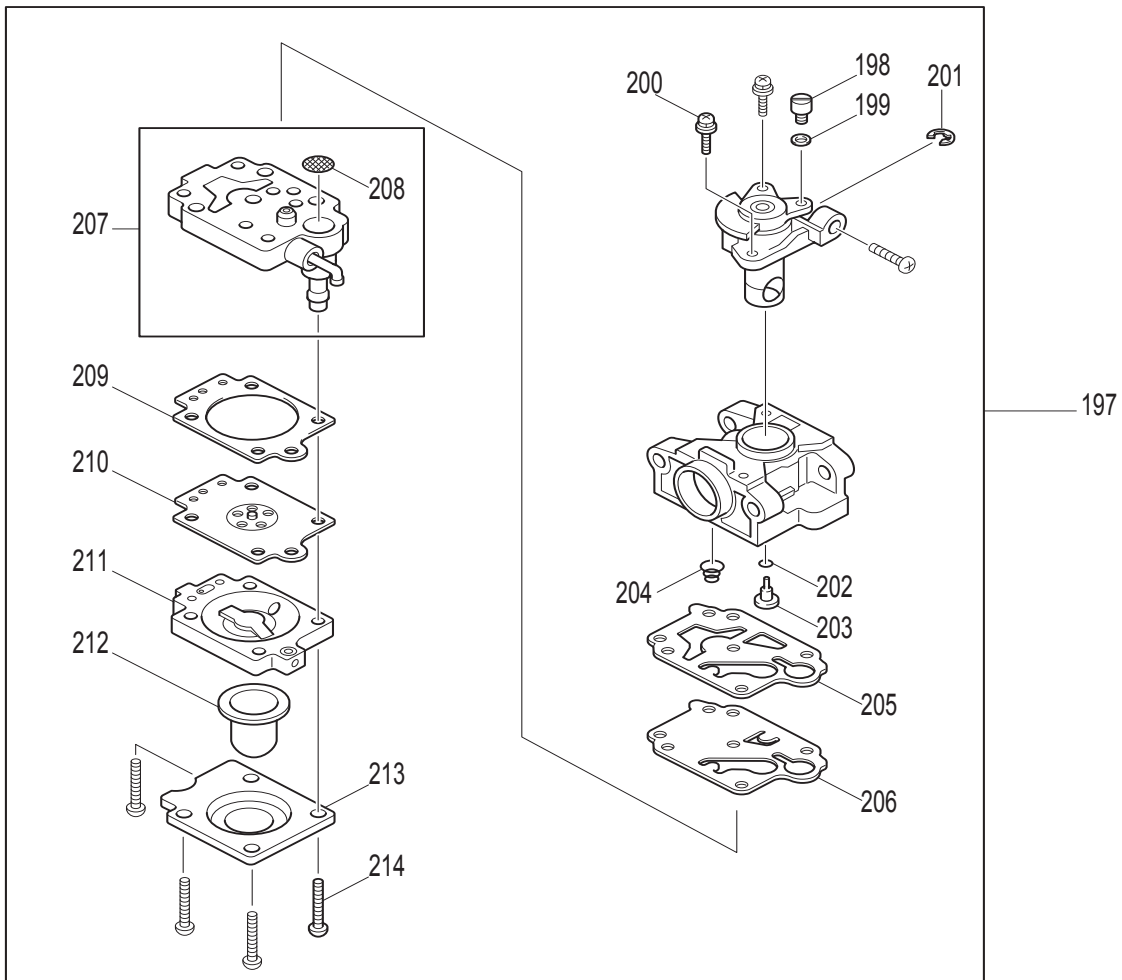
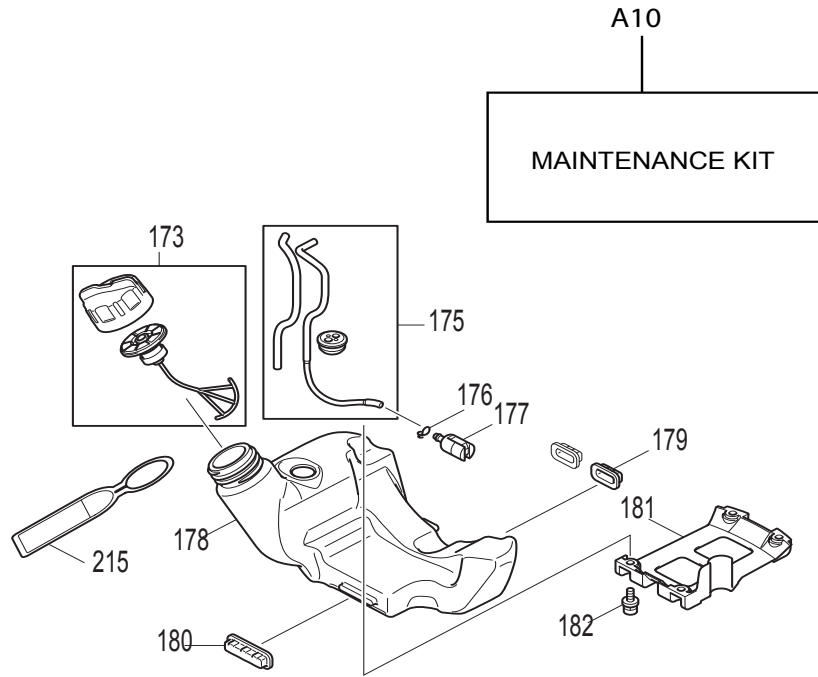


Products with multiple versions are listed in subsiding order with the newest version on top not indented.

Section	Fig. No.	Part No.	Description	EN5950SH	MH-246.4DS	Tech Bulletin	Notes
5	34	819432-8	CAUTION TAG	1	1		
5	36	800X34-5	EN5950SH MODEL NO. LABEL	1			
5	36	801C53-8	MH-246.4DS MODEL NO. LABEL		1		
5	89	451735-0	CLUTCH CASE	1	1		
5	90	922228-9	H.S.H.BOLT M5X18 WITH WR	3	3		
5	91	450569-8	SPACER	1	1		
5	92	961052-5	RETAINING RING S-12	1	1		
5	93	211129-9	BALL BEARING 6201LLU	1	1		
5	93	210111-5	BALL BEARING 6201LLU	1	1		
5	94	962151-6	RETAINING RING R-32	1	1		
5	95	168809-7	CLUTCH DRUM	1	1		
5	96	266864-4	SHOULDER HEX. BOLT M6X25	2	2		
5	97	267817-6	WASHER 8	2	2		
5	98	126135-0	CLUTCH ASSEMBLY	1	1		INC. 99,100
5	99	168498-8	CLUTCH SHOE	2	2		
5	100	231881-3	TENSION SPRING 7	1	1		
5	101	267812-6	WASHER 6	2	2		
5	102	264039-9	FLANGE NUT	1	1		
5	103	318569-3	FLYWHEEL	1	1		
5	104	444021-6	TUBE	1	1		
5	105	266602-4	HEX. SOCKET HEAD BOLT M4X20	2	2		
5	106	452049-0	SPACER	2	2		
5	107	168559-4	IGNITION COIL	1	1		
5	122	168483-1	PULLEY	1	1		
5	131	424082-2	BUFFER RUBBER	1	1		
5	132	922211-6	HEX. SOCKET HEAD BOLT M5X12	1	1		
5	133	922226-3	HEX. SOCKET HEAD BOLT M5X18	2	2		
5	134	318249-1	PIPE HOLDER	1	1		
5	135	318250-6	PIPE HOLDER	1	1		
5	136	424083-0	BUFFER RUBBER	1	1		
5	183	195308-6	RECOIL STARTER SET	1	1		INC. 122,184,185,187-193
5	184	424319-7	STARTER KNOB	1	1		
5	185	424359-5	DAMPER	1	1		
5	187	266585-8	TAPPING SCREW 5X12	1	1		

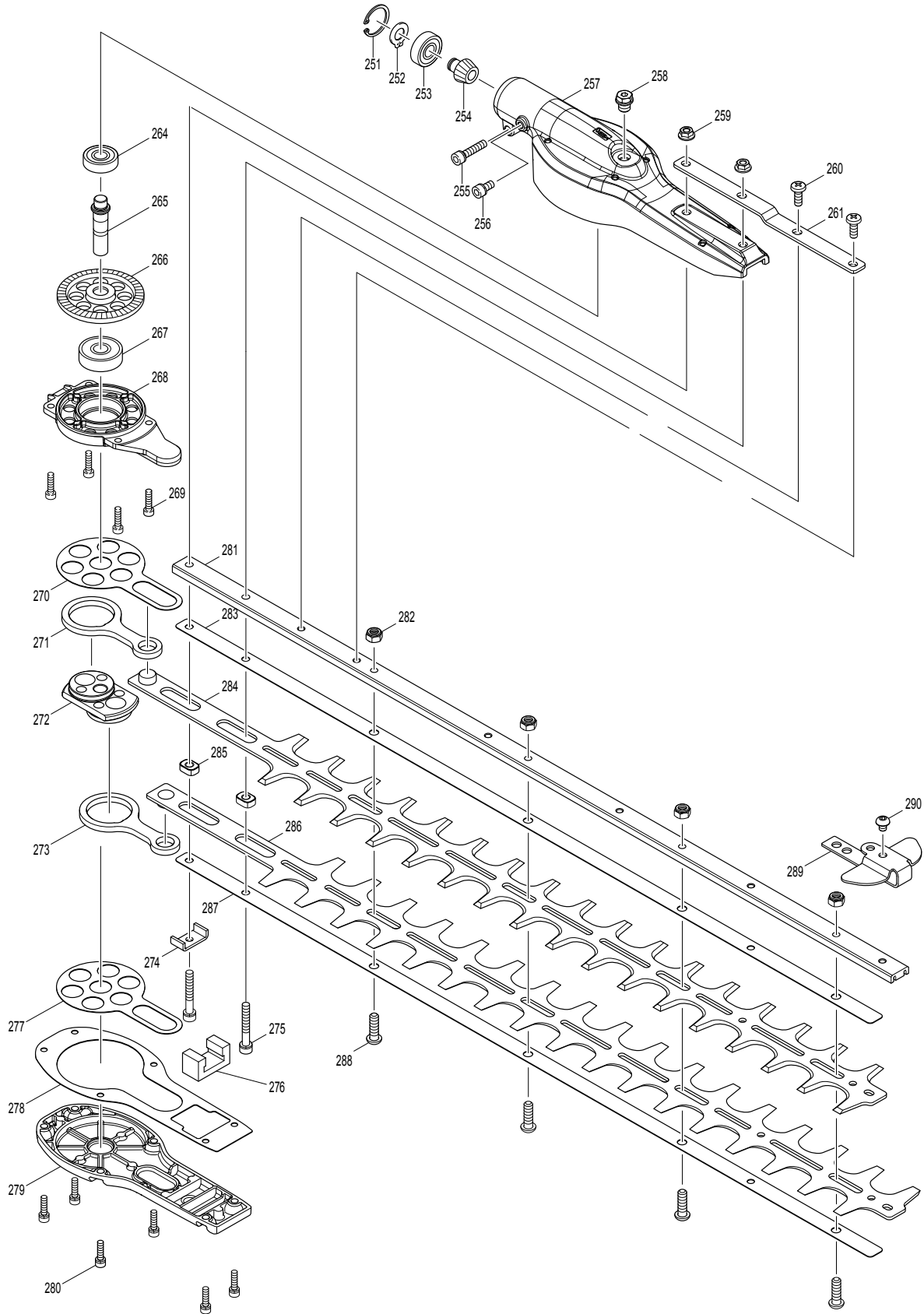
Products with multiple versions are listed in subsiding order with the newest version on top not indented.

Section	Fig. No.	Part No.	Description	EN5950SH	MH-246.4DS	Tech Bulletin	Notes
5	188	325923-4	SWING ARM	1	1		
5	189	451938-6	COLLAR	1	1		
5	190	451937-8	REEL	1	1		
5	191	232258-5	SPIRAL SPRING	1	1		
5	192	444023-2	STARTER ROPE	1	1		
5	193	451733-4	STARTER CASE	1	1		
5	194	922223-9	H.S.H.BOLT M5X16 WITH WR	4	4		
5	196	816565-0	MAKITA LOGO LABEL	1			
5	196	891121-7	DOLMAR LOGO LABEL		1		



Products with multiple versions are listed in subsiding order with the newest version on top not indented.

Section	Fig. No.	Part No.	Description	EN5950SH	MH-246.4DS	Tech Bulletin	Notes
6	173	125728-0	FUEL TANK CAP ASSEMBLY	1	1		
6	175	168775-8	TUBE COMPLETE	1	1		
6	176	282020-8	HOSE CLAMP	1	1		
6	177	163518-3	GASOLINE FILTER	1	1		
6	178	454010-3	FUEL TANK	1	1		
6	179	424080-6	BUFFER RUBBER	2	2		
6	180	424081-4	BUFFER RUBBER	1	1		
6	181	451737-6	TANK GUARD	1	1		
6	182	922218-2	H.S.H.BOLT M5X14 WITH WR	4	4		
6	197	168762-7	CARBURETOR	1	1		INC. 198-207,209-214
6	198	325922-6	SWIVEL	1	1		
6	199	413140-9	WASHER	1	1		
6	200	266581-6	PAN HEAD SCREW M3X8 WITH W	2	2		
6	201	257964-1	STOP RING E-3	1	1		
6	202	213538-8	O RING 2	1	1		
6	203	325985-2	JET	1	1		
6	205	442155-9	PUMP GASKET	1	1		
6	206	168575-6	PUMP DIAPHRAGM	1	1		
6	207	141737-1	PUMP BODY	1	1		INC. 208
6	208	352021-1	INLET SCREEN	1	1		
6	209	442154-1	METERING DIAPHRAGM GASKET	1	1		
6	210	168620-7	METERING DIAPHRAGM	1	1		
6	211	140438-8	AIR PURGE BODY	1	1		
6	212	424314-7	PRIMER PUMP	1	1		
6	214	266582-4	TAPPING SCREW 3X24	4	4		
6	215	810455-9	CAUTION PLATE	1	1		
6	A10	197680-2	MAINTENANCE KIT	1			Contains - Spark Plug, Fuel Filter, Air Filters



Products with multiple versions are listed in subsiding order with the newest version on top not indented.

Section	Fig. No.	Part No.	Description	EN5950SH	MH-246.4DS	Tech Bulletin	Notes
7	251	962103-7	RETAINING RING R-24	1	1		
7	252	961005-4	RETAINING RING S-9	1	1		
7	253	210049-4	BALL BEARING 609ZZ	1	1		
7	254	227608-7	SPIRAL BEVEL GEAR 10	1	1		
7	255	922241-7	HEX. SOCKET HEAD BOLT M5X25	1	1		
7	256	922211-6	HEX. SOCKET HEAD BOLT M5X12	1	1		
7	257	141941-2	GEAR HOUSING COMPLETE	1	1		
7	258	266818-1	HEX. SOCKET HEX. BOLT M8X8	1	1		
7	259	264090-9	HEX. NUT M5-8	2	2		
7	260	266832-7	BINDING HEAD SCREW M5X8	2	2		
7	261	346662-3	PLATE	1	1		
7	264	210049-4	BALL BEARING 609ZZ	1	1		
7	265	326257-8	SPINDLE	1	1		
7	266	227609-5	SPIRAL BEVEL GEAR 47	1	1		
7	267	211067-5	BALL BEARING 6200ZZ	1	1		
7	268	318972-8	BEARING HOUSING	1	1		
7	269	265490-6	HEX. SOCKET HEAD BOLT M4X16	4	4		
7	270	346658-4	PLATE	1	1		
7	271	346251-4	CONNECTING ROD	1	1		
7	272	332055-0	CRANK	1	1		
7	273	346251-4	CONNECTING ROD	1	1		
7	274	346256-4	HOLDER	1	1		
7	275	922256-4	HEX. SOCKET HEAD BOLT M5X35	2	2		
7	276	443159-4	SEAL	1	1		
7	277	346658-4	PLATE	1	1		
7	278	423457-2	GASKET	1	1		
7	279	318973-6	UNDER COVER	1	1		
7	280	922126-7	HEX. SOCKET HEAD BOLT M4X16	6	6		
7	281	332059-2	GUIDE BAR	1	1		
7	282	264089-4	HEX. LOCK NUT M6-10	4	4		
7	283	346666-5	PLATE	1	1		
7	284	725184-0	SHEAR BLADE	1	1		
7	285	313195-3	SLEEVE 5	2	2		
7	286	725184-0	SHEAR BLADE	1	1		

Products with multiple versions are listed in subsiding order with the newest version on top not indented.

Section	Fig. No.	Part No.	Description	EN5950SH	MH-246.4DS	Tech Bulletin	Notes
7	287	346666-5	PLATE	1	1		
7	288	266824-6	H.S. BUTTON HEAD BOLT M6X20	4	4		
7	289	346629-1	END COVER	1	1		
7	290	266075-1	HEX. SOCKET HEAD BOLT M5X6	1	1		