

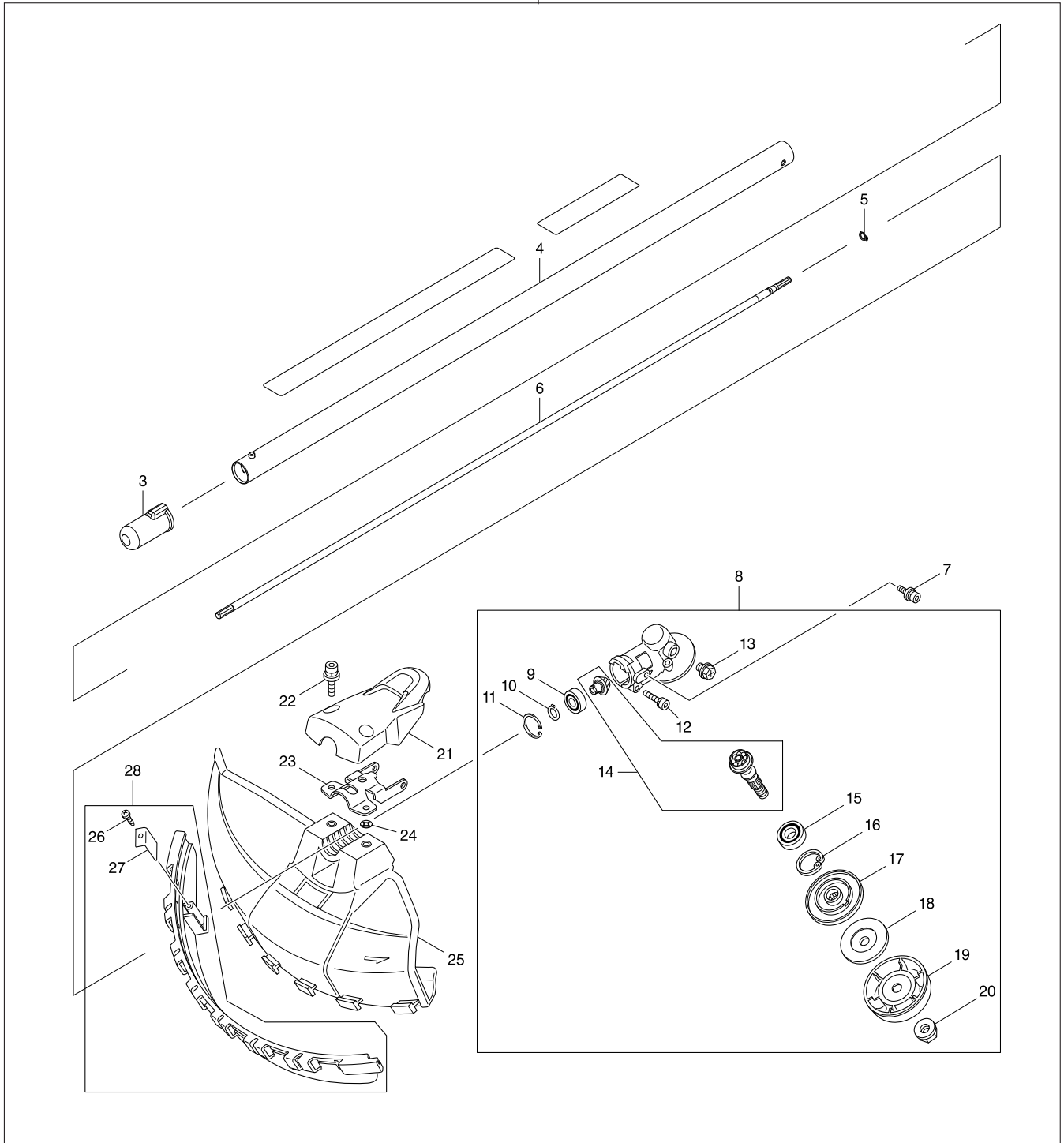


PARTS BREAKDOWN

EM400MP

BC-CS

A08



Products with multiple versions are listed in subsiding order with the newest version on top not indented.

Section	Fig. No.	Part No.	Description	EM400MP	BC-CS	Tech Bulletin	Notes
1	A08	EM400MP	BRUSHCUTTER ATTACHMENT CPL	1			
1	A08	195662-8	BRUSHCUTTER ATTACHMENT CPL		1		
1	3	424434-7	CAP, BC-CS	1	1		
1	4	141010-9	SHAFT PIPE COMPLETE, BC-CS	1	1		
1	5	961003-8	RETAINING RING, BC-CS	1	1		
1	6	326088-5	SHAFT, BC-CS	1	1		
1	7	922218-2	H.S.H.BOLT WITH WR	2	2		
1	8	126264-9	GEAR CASE ASS'Y	1	1		
1	8	126102-5	GEAR CASE ASS'Y	1	1		
1	9	210049-4	BALL BEARING	1	1		
1	10	961005-4	RETAINING RING, BC-CS	1	1		
1	11	962103-7	RETAINING RING	1	1		
1	12	922241-7	HEX. SOCKET HEAD BOLT	1	1		
1	13	265590-2	+HEX.BOLT WITH R	1	1		
1	14	188902-1	CUTTER SHAFT SET	1	1		
1	15	210115-7	BALL BEARING	1	1		
1	16	962106-1	RETAINING RING	1	1		
1	17	331861-0	RECEIVE WASHER	1	1		
1	18	346084-7	CLAMP WASHER	1	1		
1	19	168526-9	SLIDING CUP	1	1		
1	20	264025-0	HEX NUT	1	1		
1	21	451097-6	PROTECTOR COVER	1	1		
1	22	266579-3	HEX. SOCKET HEAD BOLT	2	2		
1	23	346073-2	PROTECTOR CLAMP	1	1		
1	24	413143-3	WASHER	2	2		
1	25	452260-4	PROTECTOR	1	1		
1	26	266326-2	SCREW	1	1		
1	27	346074-0	LINE CUTTER	1	1		
1	28	135398-7	PROTECTOR EXTENSION ASSY	1	1		