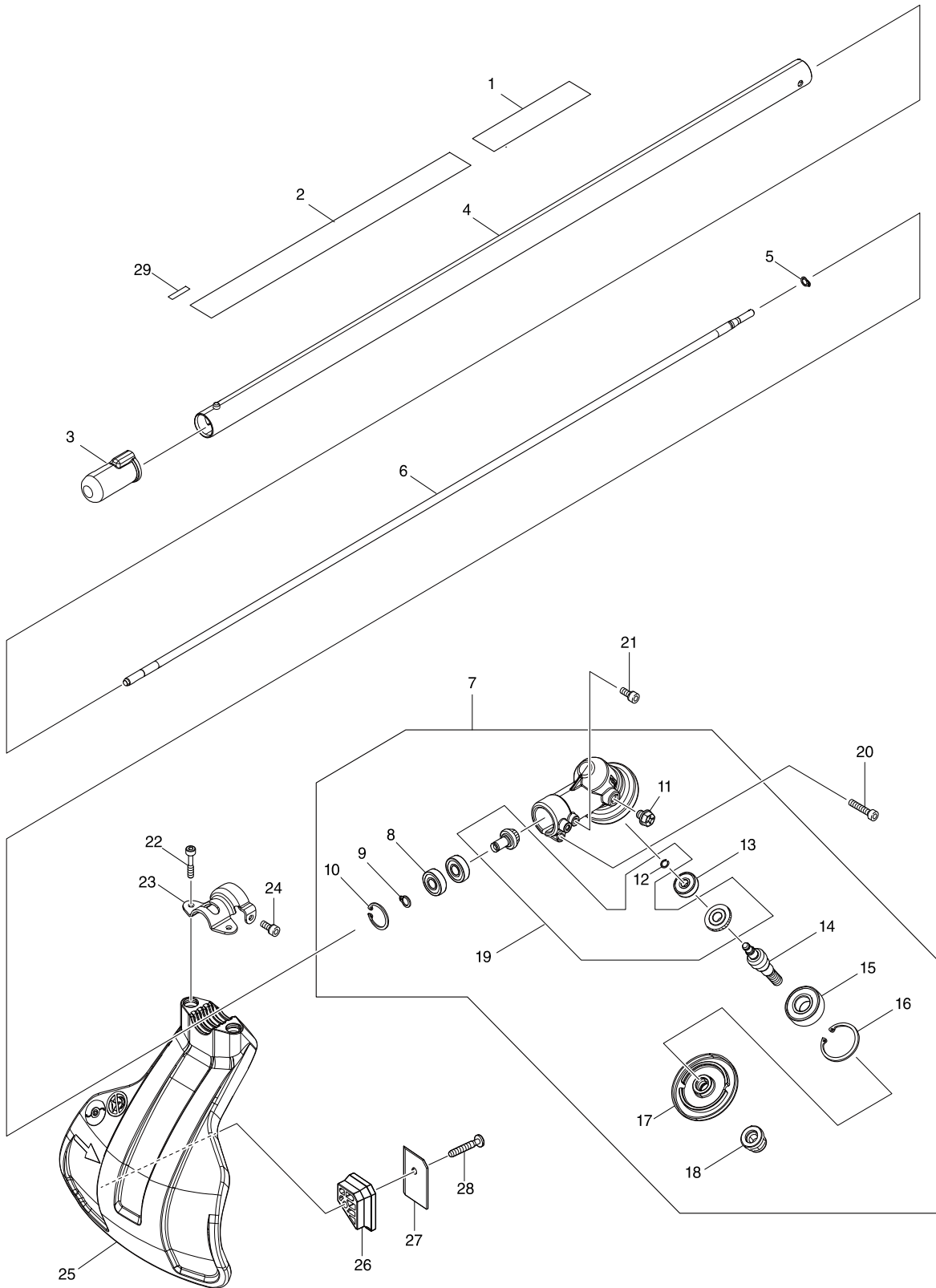




EM405MP



Products with multiple versions are listed in subsiding order with the newest version on top not indented.

| Section | Fig. No. | Part No. | Description | EM405MP | Tech Bulletin | Notes |
|---------|----------|----------|-----------------------------|---------|---------------|-----------------|
| 1 | 1 | 819312-8 | MAKITA LOGO LABEL | 1 | | |
| 1 | 2 | 813M13-8 | CAUTION LABEL | 1 | | |
| 1 | 3 | 424434-7 | CAP 24 | 1 | | |
| 1 | 4 | 141010-9 | SHAFT PIPE A COMPLETE | 1 | | |
| 1 | 5 | 961003-8 | RETAINING RING S-7 | 1 | | |
| 1 | 6 | 326088-5 | SHAFT A | 1 | | |
| 1 | 7 | 123975-7 | GEAR CASE ASSEMBLY US | 1 | | INC. 8-11,13-19 |
| 1 | 8 | 210049-4 | BALL BEARING 609ZZ | 2 | | |
| 1 | 9 | 257986-1 | RETAINING RING (EXT) S-9 | 1 | | |
| 1 | 10 | 257987-9 | RETAINING RING (INT)R-24 | 1 | | |
| 1 | 11 | 265590-2 | +HEX.BOLT M8X10 WITH R | 1 | | |
| 1 | 12 | 232350-7 | RING SPRING 6 | 1 | | |
| 1 | 13 | 210030-5 | BALL BEARING 627ZZ | 1 | | |
| 1 | 14 | 326853-2 | CUTTER SHAFT | 1 | | |
| 1 | 15 | 211228-7 | BALL BEARING 6202DDW | 1 | | |
| 1 | 16 | 257432-4 | RETAINING RING R-35 | 1 | | |
| 1 | 17 | 144312-2 | RECEIVE WASHER COMPLETE | 1 | | |
| 1 | 18 | 252236-9 | HEX. LOCK NUT M10-17 | 1 | | |
| 1 | 19 | 183J06-4 | SPIRAL BEVEL GEAR SET | 1 | | INC. 12 |
| 1 | 20 | 922242-5 | HEX. SOCKET HEAD BOLT M5X25 | 1 | | |
| 1 | 21 | 922216-6 | HEX. SOCKET HEAD BOLT M5X14 | 1 | | |
| 1 | 22 | 251513-6 | H.S.H.BOLT M5X25 | 2 | | |
| 1 | 23 | 347107-4 | PROTECTOR CLAMP 24 | 1 | | |
| 1 | 24 | 922216-6 | HEX. SOCKET HEAD BOLT M5X14 | 1 | | |
| 1 | 25 | 457273-0 | PROTECTOR N 420-450 | 1 | | |
| 1 | 26 | 457794-2 | CUTTER EXTENSION | 1 | | |
| 1 | 27 | 347115-5 | CUTTER | 1 | | |
| 1 | 28 | 266553-1 | TAPPING SCREW 5X30 | 1 | | |
| 1 | 29 | 814A82-0 | DATE CODE LABEL | 1 | | |
| 1 | A01 | 782238-6 | BOX WRENCH 17 | 1 | | |