



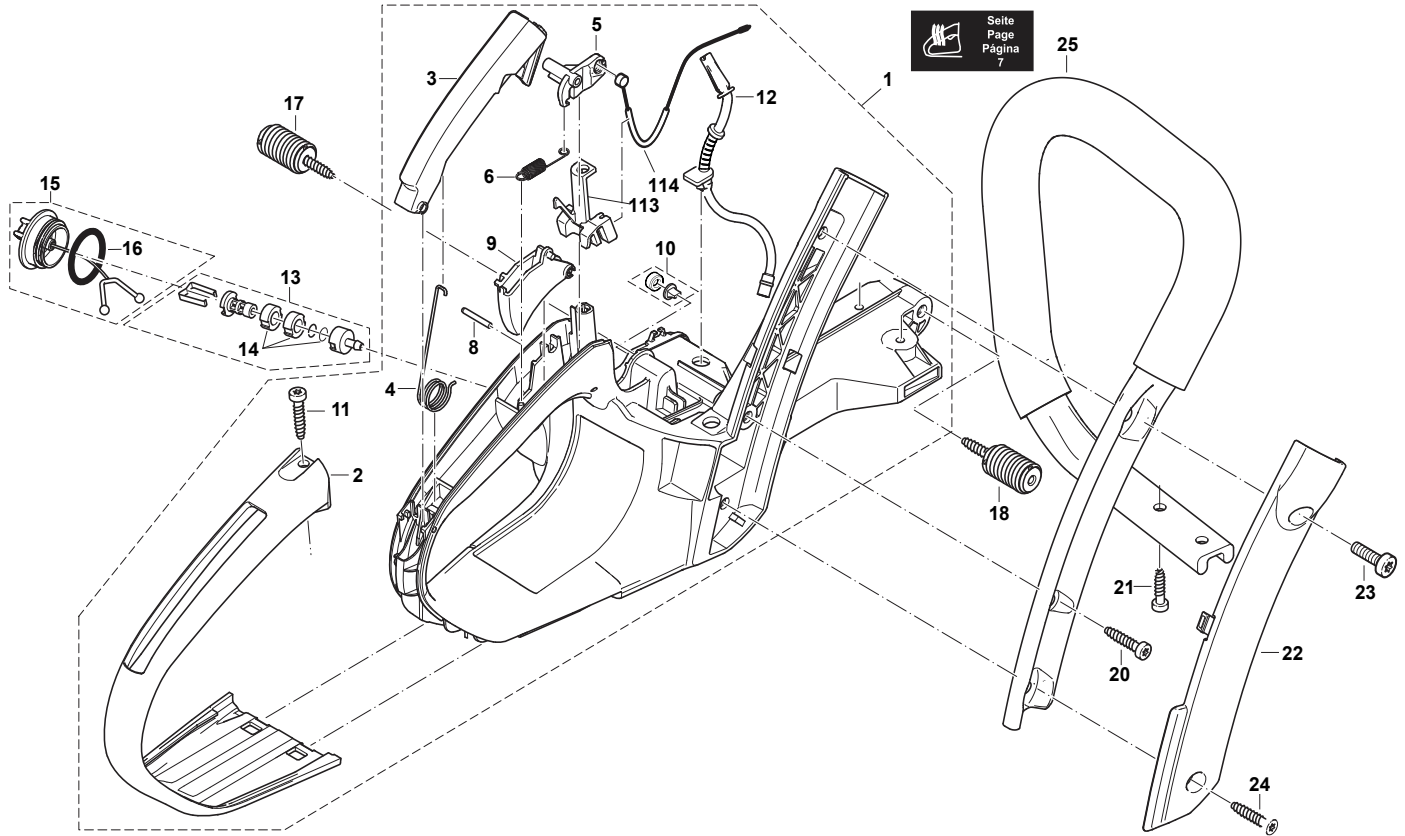
## **PARTS BREAKDOWN**

**EA5000P53G (Makita Teal)**

**EA5000PR (Makita Red)**

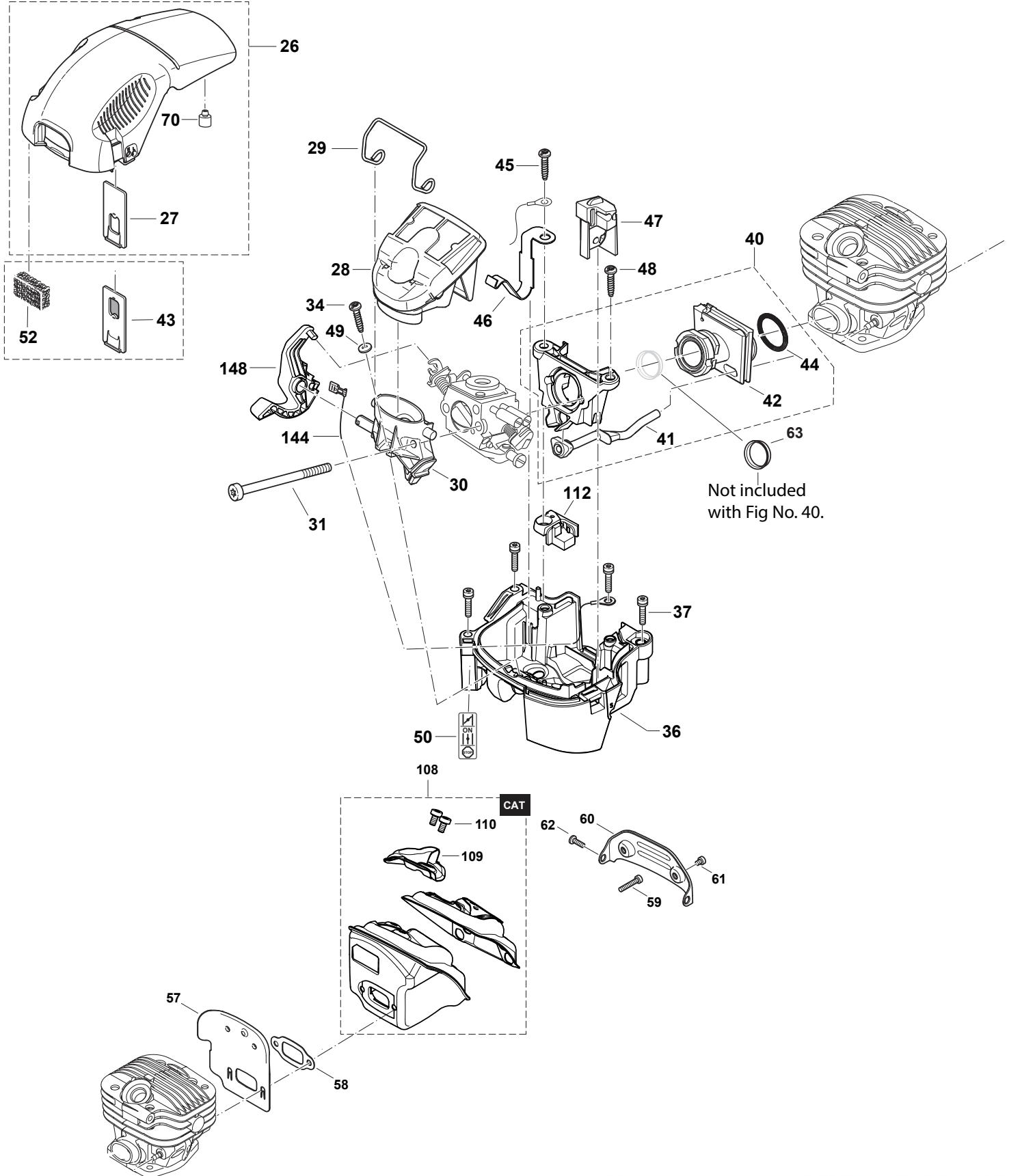
**PS-5105 (Dolmar Red)**

**PS-5105H (Dolmar Red)**



Products with multiple versions are listed in subsiding order with the newest version on top not indented.

Section	Fig. No.	Part No.	Description	EA500P53G	EA500PR	PS-5105	PS-5105H	Tech Bulletin	Notes
1	1	181-114-720	TANK CPL. BLUE	1					
1	1	181-114-280	TANK CPL. RED		1	1	1		
1	2	181-117-050	GRIP OUTER SHELL, BLACK	1	1	1	1		
1	3	181-117-132	CATCH LEVER	1	1	1	1		
1	4	181-117-031	SPRING	1	1	1	1		
1	5	181-117-081	ROCKER	1	1	1	1		
1	6	181-117-111	SPRING, DCS5121	1	1	1	1		
1	8	935-930-240	CYLINDRICAL PIN	1	1	1	1		
1	9	181-117-121	THROTTLE LEVER	1	1	1	1		
1	10	957-114-061	AIR VALVE CPL.	1	1	1	1		
1	11	913-455-204	SCREW	1	1	1	1		
1	12	181-114-065	FUEL LINE	1	1	1	1		
1	12	181-114-064	FUEL LINE, DCS510	1	1	1	1		
1	13	010-114-010	SUCTION HEAD	1	1	1	1		
1	14	010-114-020	REP. KIT, FILTER (5 OF EACH)	1	1	1	1		
1	15	181-114-202	TANK CAP CPL.	1	1	1	1		
1	16	963-229-036	PACKING RING	1	1	1	1		
1	17	181-114-301	DAMPING SPRING, CPL.	1	1	1	1		
1	17	181-114-300	SPRING CPL.	1	1	1	1		
1	18	181-114-301	DAMPING SPRING, CPL.	1	1	1	1		
1	18	181-114-300	SPRING CPL.	1	1	1	1		
1	20	913-455-204	SCREW	1	1	1	1		
1	21	913-455-164	SCREW	2	2	2	2		
1	22	181-114-051	COVER			1	1		RED (DOLMAR)
1	22	181-310-660	COVER		1				BLACK (MAKITA)
1	22	181-114-652	COVER	1					BLUE (MAKITA)
1	23	908-006-205	SCREW	1	1	1	1		
1	24	913-455-204	SCREW	1	1	1	1		
1	25	181-310-251	TUBULAR HANDLE CPL., DCS5121	1	1	1	1		
1	25	181-310-250	TUBULAR HANDLE	1	1	1	1		
1	113	181-117-094	RETAINING CLIP, EA5000P	1	1	1	1		
1	114	181-117-041	CABLE, EA5000P	1	1	1	1		

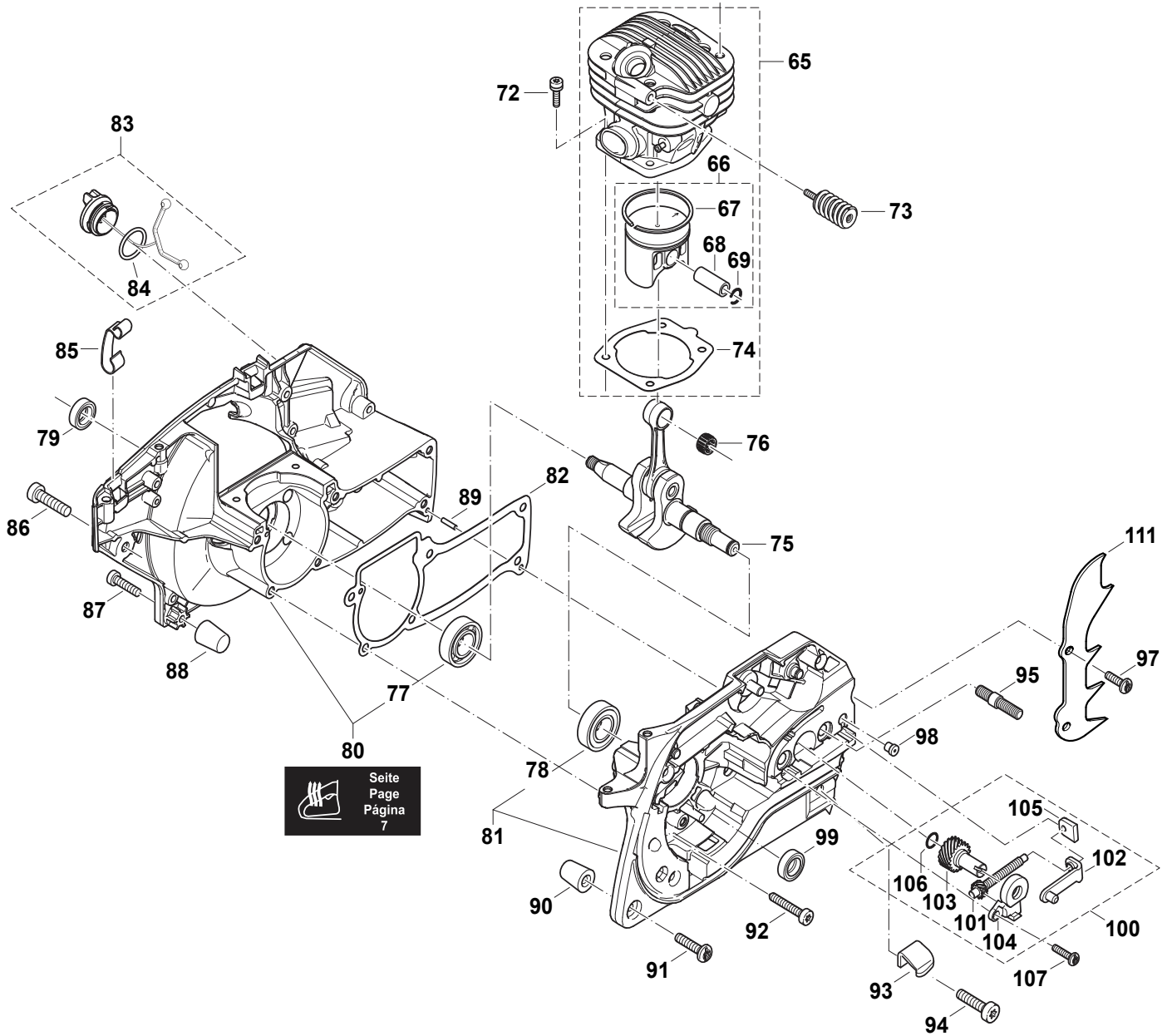


Products with multiple versions are listed in subsiding order with the newest version on top not indented.

Section	Fig. No.	Part No.	Description					Tech Bulletin	Notes
				EA500P53G	EA500PR	PS-5105	PS-5105H		
2	26	181-118-241	HOOD CPL. BLACK	1	1	1	1		2012-04>
2	26	181-118-240	HOOD CPL. BLACK	1		1	1		>2012-03
2	27	181-118-060	INSERT	1	1	1	1		
2	28	181-173-090	AIR FILTER ASS'Y	1	1	1	1		
2	28	181-173-180	AIR FILTER ASS'Y, FINE (NYLON)	1	1	1	1		
2	28	181-173-240	AIR FILTER CPL., FINE (NYLON)	1	1	1	1		
2	28	181-173-190	AIR FILTER ASS'Y (FLEECE)	1	1	1	1		
2	29	181-171-050	CLIP FOR AIR FILTER	1	1	1	1		
2	30	181-171-011	INTAKE MANIFOLD	1	1	1	1		
2	31	908-505-555	H.L. SOCKET HEAD BOLT	2	2	2	2		
2	34	913-455-164	SCREW	1	1	1	1		
2	36	181-131-680	BOTTOM BLUE	1					
2	36	181-131-160	BOTTOM RED		1	1	1		
2	37	908-805-205	SCREW	4	4	4	4		
2	40	181-171-160	FLANGE KPL.	1	1	1	1		
2	41	181-131-090	TUBE	1	1	1	1		
2	42	181-131-040	SUCTION HOSE	1	1	1	1		
2	43	181-118-160	INSERT (SNOW)	1	1	1	1		
2	44	181-131-070	ANNULAR SPRING	1	1	1	1		
2	45	913-455-164	SCREW	1	1	1	1		
2	46	181-155-060	CONTACT SPRING	1	1	1	1		
2	47	181-155-080	GUIDE	1	1	1	1		2012-04>
2	47	181-155-030	ADJUSTING GUIDE			1	1		>2012-03
2	48	913-455-164	SCREW	1	1	1	1		
2	49	928-405-000	DISC	1	1	1	1		
2	50	980-114-928	LABEL	1	1	1	1		
2	52	181-173-250	PRE-FILTER	1	1	1	1		
2	57	181-174-061	COVER PLATE	1	1	1	1		
2	58	181-174-050	GASKET	1	1	1	1		
2	59	908-005-205	SCREW	2	2	2	2		
2	60	181-174-091	SHEET-METAL	1	1	1	1		
2	61	909-005-105	SCREW	2	2	2	2		
2	62	908-805-205	SCREW	1	1	1	1		
2	63	181-131-021	INSERT	1	1	1	1		

Products with multiple versions are listed in subsiding order with the newest version on top not indented.

Section	Fig. No.	Part No.	Description	EA500P53G	EA500PR	PS-5105	PS-5105H	Tech Bulletin	Notes
2	70	424173-9	DAMPING PLUG	1	1	1	1		
2	70	181-118-070	DAMPING PLUG	1	1	1	1		
2	108	181-174-301	MUFFLER	1	1	1	1		
2	109	181-174-470	SPARK ARRESTER SCREEN CPL.	1	1	1	1		
2	110	908-005-095	SCREW	2	2	2	2		
2	112	181-131-140	RUBBER BUSH	1	1	1	1		
2	144	970-311-580	EARTH CABLE	1	1	1	1		
2	148	181-155-070	CHOKE ON/OFF SWITCH	1	1	1	1		



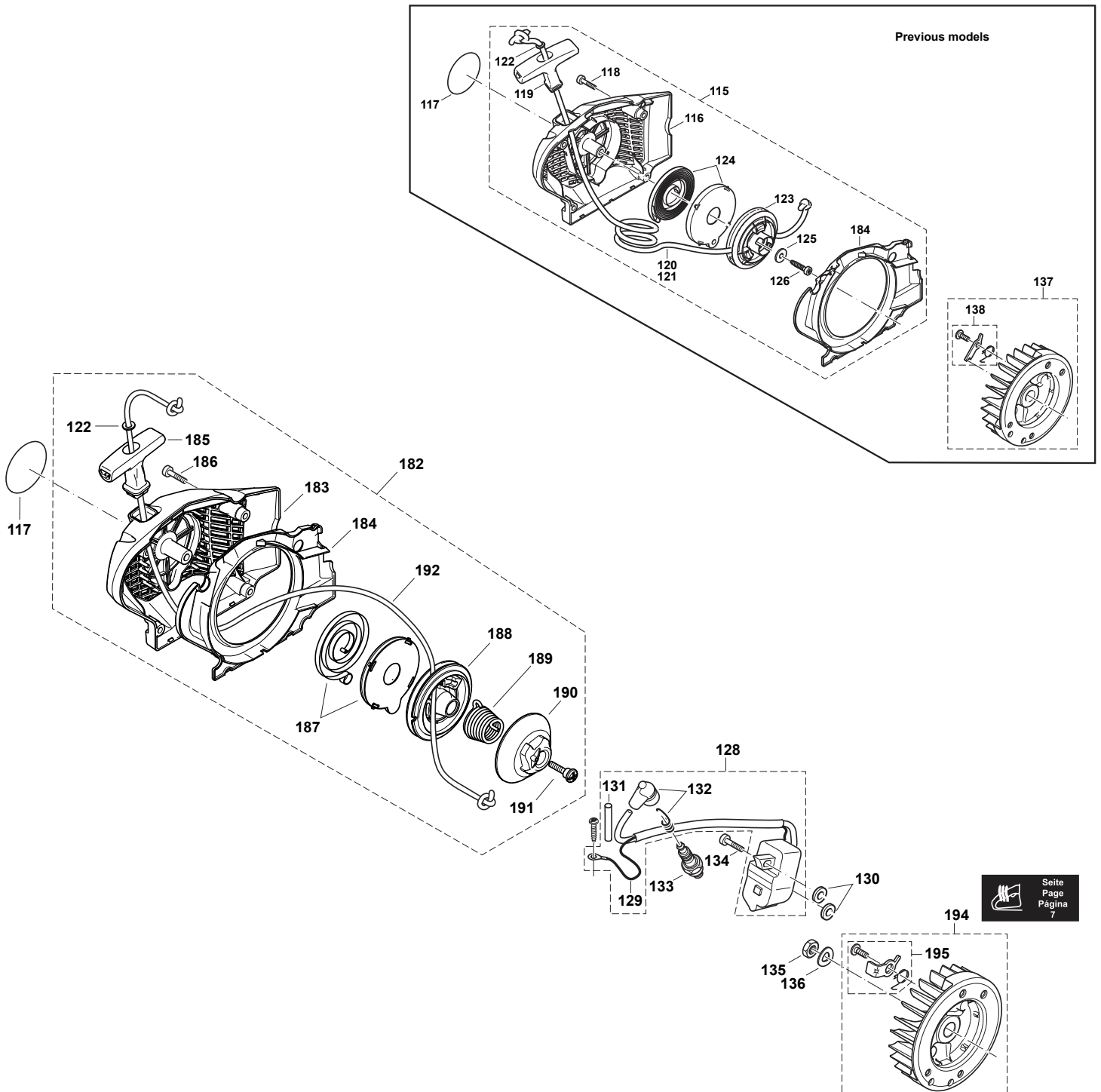
Seite  
Page  
Página  
7

Products with multiple versions are listed in subsiding order with the newest version on top not indented.

Section	Fig. No.	Part No.	Description	EA500P53G	EA500PR	PS-5105	PS-5105H	Tech Bulletin	Notes
3	65	181-130-217	CYLINDER / PISTON CPL.	1	1	1	1		
3	66	181-132-064	PISTON CPL., DCS5121	1	1	1	1		
3	66	181-132-063	PISTON CPL.	1	1	1	1		
3	67	181-132-080	PISTON RING	1	1	1	1		
3	68	181-132-040	PISTON PIN	1	1	1	1		
3	69	181-132-050	SPRING RING	2	2	2	2		
3	70	424173-9	DAMPING PLUG	2	2	2	2		
3	70	181-118-070	DAMPING PLUG	2	2	2	2		
3	72	908-805-235	SCREW	4	4	4	4		
3	73	181-114-401	DAMPING SPRING, CPL.	1	1	1	1		
3	73	181-114-400	DAMPING SPRING CPL.	1	1	1	1		
3	74	181-131-133	GASKET	1	1	1	1		
3	74	181-131-132	GASKET	1	1	1	1		
3	75	185-120-200	CRANKSHAFT CPL.	1	1	1	1	2010-13	2010-03>
3	75	181-120-102	CRANKSHAFT CPL.	1	1	1	1	2010-13	2010-03>
3	75	181-120-100	CRANKSHAFT CPL.			1	1	2010-13	>2010-02
3	76	962-210-103	NEEDLE CAGE	1	1	1	1		
3	76	962-210-033	NEEDLE CAGE	1	1	1	1		
3	77	960-102-152	BEARING, DCS6421	1	1	1	1		
3	77	960-102-159	BALL BEARING (USE GLUE)	1	1	1	1		
3	78	960-123-159	COMBINATION BALL BEARING	1	1	1	1		
3	79	962-900-156	RADIAL RING	1	1	1	1		
3	79	962-900-056	RADIAL RING	1	1	1	1		
3	80	181-111-655	CRANKC. M. SIDE BLUE	1					
3	80	181-111-155	CRANKCASE MAGN. SIDE RED		1	1	1		
3	81	181-111-642	CRANKC. CL. SIDE BLUE	1					
3	81	181-111-142	CRANKC. CL. SIDE RED		1	1	1		
3	82	181-111-060	GASKET	1	1	1	1		
3	83	170-114-100	TANK CAP COMPLETE	1	1	1	1		
3	83	170-114-061	TANK CAP CPL.	1	1	1	1		
3	84	963-225-030	PACKING RING	1	1	1	1		
3	85	181-118-050	STEELCLIP	3	3	3	3		
3	86	908-006-205	SCREW	1	1	1	1		
3	87	908-805-205	SCREW	1	1	1	1		

Products with multiple versions are listed in subsiding order with the newest version on top not indented.

Section	Fig. No.	Part No.	Description	EA500P53G	EA500PR	PS-5105	PS-5105H	Tech Bulletin	Notes
3	88	181-111-230	IMPACT PROTECTION	1	1	1	1		
3	89	936-430-160	CLAMPING PIN	2	2	2	2		
3	90	181-111-230	IMPACT PROTECTION	1	1	1	1		
3	91	908-805-205	SCREW	1	1	1	1		
3	92	908-005-205	SCREW	6	6	6	6		
3	93	181-111-050	CHAIN CATCH	1	1	1	1		
3	94	908-006-205	SCREW	1	1	1	1		
3	95	905-808-210	SCREW	2	2	2	2		
3	95	905-808-215	SCREW M8X21	2	2	2	2		
3	97	908-805-205	SCREW	2	2	2	2		
3	98	168504-9	VENT VALVE	1	1	1	1		
3	98	010-245-030	VENT VALVE	1	1	1	1		
3	99	962-900-065	RADIAL RING	1	1	1	1		
3	100	181-213-300	CHAIN TENSIONER CPL.	1	1	1	1		
3	101	181-213-230	TENSIONING SCREW	1	1	1	1		
3	102	181-213-240	TENSION SLIDE	1	1	1	1		
3	103	181-213-250	ADJUSTING SCREW	1	1	1	1		
3	104	185-213-270	TRANSMISSION COVER	1	1	1	1		
3	104	181-213-270	TRANSMISSION COVER	1	1	1	1		
3	105	181-213-260	TENSIONING SCREW BEARING	1	1	1	1		
3	106	963-207-020	PACKING RING	1	1	1	1		
3	107	908-705-125	SCREW	1	1	1	1		
3	111	181-250-020	SPIKE BAR	1	1	1	1		



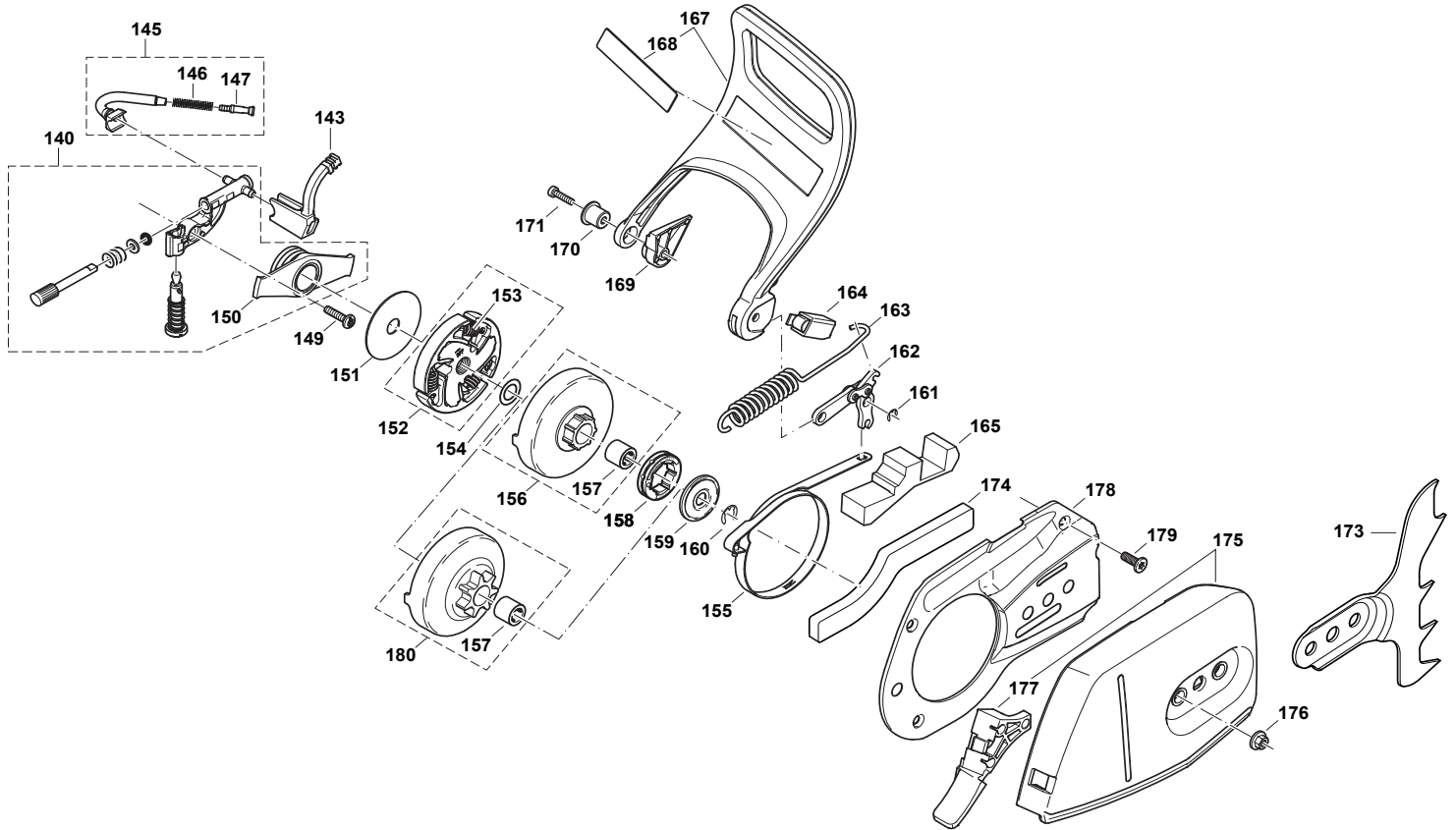
Selste  
Page  
Página  
7

Products with multiple versions are listed in subsiding order with the newest version on top not indented.

Section	Fig. No.	Part No.	Description	EA500P53G	EA500PR	PS-5105	PS-5105H	Tech Bulletin	Notes
4	115	181-160-110	STARTER ASSY. RED			1	1		>2009
4	116	181-112-021	FAN HOUSING RED			1	1		>2009
4	117	980-115-758	LABEL	1					
4	117	980-115-676	LABEL			1	1		
4	118	908-805-205	SCREW M5x20			1	1		
4	119	001-161-020	STARTER GRIP			1	1		
4	120	985-000-155	STARTER ROPE, 100M	1		1	1		
4	122	928-405-000	DISC	1	1	1	1		
4	123	181-162-150	CABLE DRUM			1	1		
4	124	181-163-020	REWIND SPRING IN HOUSING			1	1		
4	125	924-605-510	WASHER			1	1		
4	126	913-455-204	SCREW			1	1		
4	128	181-143-212	IGNITION COIL, EA5000	1	1	1	1	2010-13	
4	128	181-143-211	IGNITION COIL, CPL., BLACK	1		1	1	2010-13	2012-03>
4	128	181-143-210	IGNITION COIL, CPL. RED			1	1	2010-13	>2012-02
4	128	181-143-110	IGNITION COIL, CPL. WHITE			1	1	2010-13	>2009-12
4	129	181-147-050	IGNITION CABLE	1	1	1	1		
4	130	195-143-030	ISOLATING WASHER	2	2	2	2		
4	131	970-502-110	ISOLATING HOSE	1	1	1	1		
4	132	957-604-260	SPARK PLUG CAP CPL.	1	1	1	1		
4	133	965-603-021	SPARK PLUG	1	1	1	1		
4	134	908-805-205	SCREW	2	2	2	2		
4	135	920-308-024	HEXAGONAL NUT	1	1	1	1		
4	136	267822-3	SPRING WASHER	1	1	1	1		
4	136	926-208-001	SPRING WASHER	1	1	1	1		
4	137	181-141-104	FLYWHEEL CPL, DCS510			1	1		>2009-12
4	138	181-166-050	STARTER RATCHET CPL.		1	1	1		
4	182	181-160-671	STARTER ASSY. BLUE	1					
4	182	181-160-670	STARTER ASSY. BLUE	1					
4	182	181-160-200	STARTER ASSY. RED		1	1	1		
4	183	181-112-660	STARTER HOUSING BLUE	1					
4	183	181-112-060	STARTER HOUSING RED		1	1	1		
4	184	181-118-120	AIR GUIDE PLATE	1	1	1	1		
4	185	181-164-010	STARTER KNOB	1	1	1	1		

Products with multiple versions are listed in subsiding order with the newest version on top not indented.

Section	Fig. No.	Part No.	Description	EA500P53G	EA500PR	PS-5105	PS-5105H	Tech Bulletin	Notes
4	186	908-605-205	SCREW	4	4	4	4		
4	187	181-163-050	REWIND SPRING IN HOUSING	1	1	1	1		
4	188	181-162-020	CABLE DRUM	1	1	1	1		
4	189	181-163-080	SPRING EASY-START	1	1	1	1		
4	190	181-163-090	DRIVER FOR EASY-START	1	1	1	1		
4	191	181-163-095	SCREW	1	1	1	1		
4	192	181-164-020	STARTER ROPE	1	1	1	1		
4	192	985-000-155	STARTER ROPE	1	1	1	1		
4	194	185-141-100	FLYWHEEL CPL., EA4300F	1	1	1	1	2014/23	2010-01>
4	194	195-141-103	FLYWHEEL CPL.	1		1	1		
4	195	195-166-100	STARTER RATCHET CPL.	1	1	1	1		



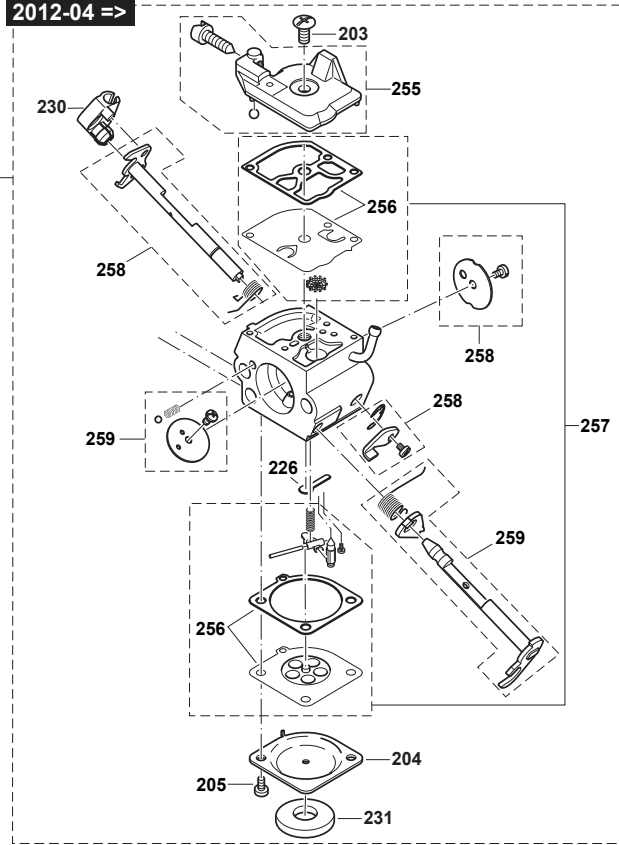
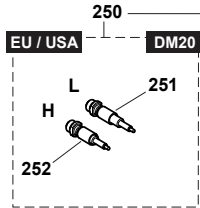
Products with multiple versions are listed in subsiding order with the newest version on top not indented.

Section	Fig. No.	Part No.	Description	EA500P53G	EA500PR	PS-5105	PS-5105H	Tech Bulletin	Notes
5	140	181-245-251	OIL PUMP CPL.	1	1	1	1		
5	143	181-245-120	PRESSURE LINE	1	1	1	1		
5	145	181-245-100	SUCTION LINE	1	1	1	1		
5	146	231975-4	SPRING, UC3530A	1	1	1	1		
5	146	021-245-060	SPRING	1	1	1	1		
5	147	001-245-020	HOSE STEM	1	1	1	1		
5	149	908-705-125	SCREW	1	1	1	1		
5	150	181-245-090	PUMP DRIVE	1	1	1	1		
5	151	001-182-042	DISC	1	1	1	1		
5	152	175-180-101	CLUTCH ASS'Y	1	1	1	1		
5	152	181-180-200	CLUTCH ASSY.	1	1	1	1	2013/49	
5	153	181-184-010	SPRING	3	3	3	3		
5	154	181-224-090	SHIM	1	1	1	1		
5	154	021-224-011	DISC, DCS340	1	1	1	1		
5	155	181-213-011	BRAKE SPRING	1	1	1	1		
5	155	181-213-010	BRAKE SPRING	1	1	1	1		
5	156	181-223-062	CLUTCH DRUM CPL.	1	1	1	1		
5	157	962-300-009	NEEDLE SLEEVE	1	1	1	1		
5	158	026-224-010	RIM SPROCKET 3/8"	1	1	1	1		
5	158	181-224-040	RIM SPROCKET .325"	1	1	1	1		
5	159	181-224-081	DISC	1	1	1	1		
5	160	927-408-000	WASHER	1	1	1	1		
5	161	927-304-000	SAFETY WASHER	1	1	1	1		
5	162	163500-2	LINK PLATE CPL	1	1	1	1		
5	162	181-213-100	BRAKING MECHANISM	1	1	1	1		
5	163	181-213-023	TENSION SPRING	1	1	1	1		
5	163	181-213-350	SPRING	1	1	1	1		
5	164	181-213-170	HANDGUARD GUIDE, CPL.	1	1	1	1		
5	165	181-213-371	FOAM SPONGE	1	1	1	1		
5	167	181-213-161	HAND GUARD CPL.	1	1	1	1		
5	167	181-213-160	HAND GUARD CPL.	1	1	1	1		
5	168	185-114-237	CAUTION LABEL	1	1	1	1		
5	168	980-114-237	LABEL	1	1	1	1		
5	169	181-213-310	SPACER	1	1	1	1		

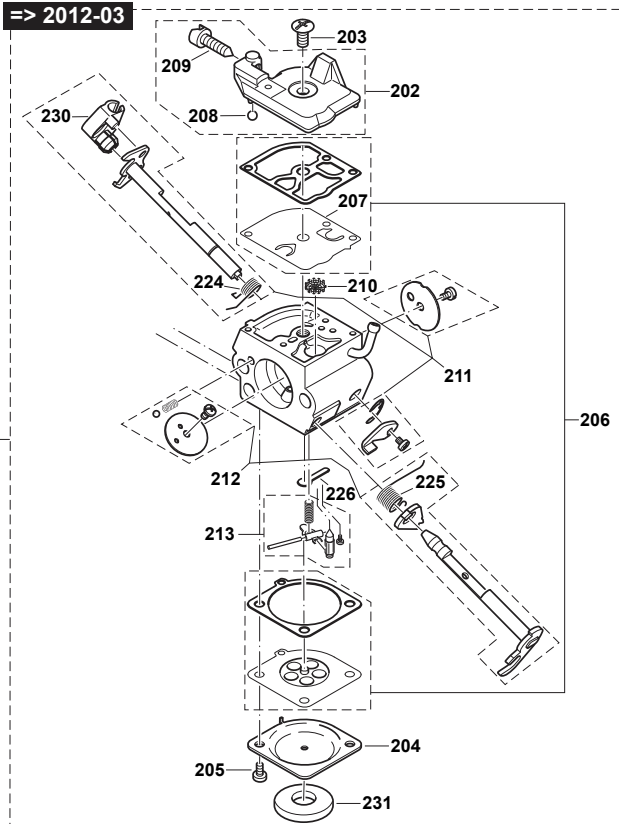
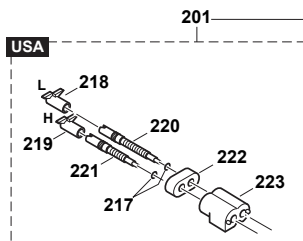
Products with multiple versions are listed in subsiding order with the newest version on top not indented.

Section	Fig. No.	Part No.	Description	EA5000P53G	EA5000PR	PS-5105	PS-5105H	Tech Bulletin	Notes
5	170	181-213-320	BUSHING	1	1	1	1		
5	171	908-805-205	SCREW	1	1	1	1		
5	173	181-250-030	SPIKE BAR	1	1	1	1		
5	174	181-213-400	FOAM SPONGE	1	1	1	1		
5	175	957-213-600	SPROCKET GUARD CPL. BLUE	1					
5	175	957-213-200	SPROCKET GUARD CPL. RED		1	1	1		
5	176	923-208-004	HEXAGONAL NUT	2	2	2	2		
5	177	957-213-220	CHIP GUIDE	1	1	1	1		
5	178	181-213-191	COVER	1	1	1	1		
5	178	181-213-190	COVER	1	1	1	1		
5	179	908-105-126	SCREW	3	3	3	3		

2012-04 =>

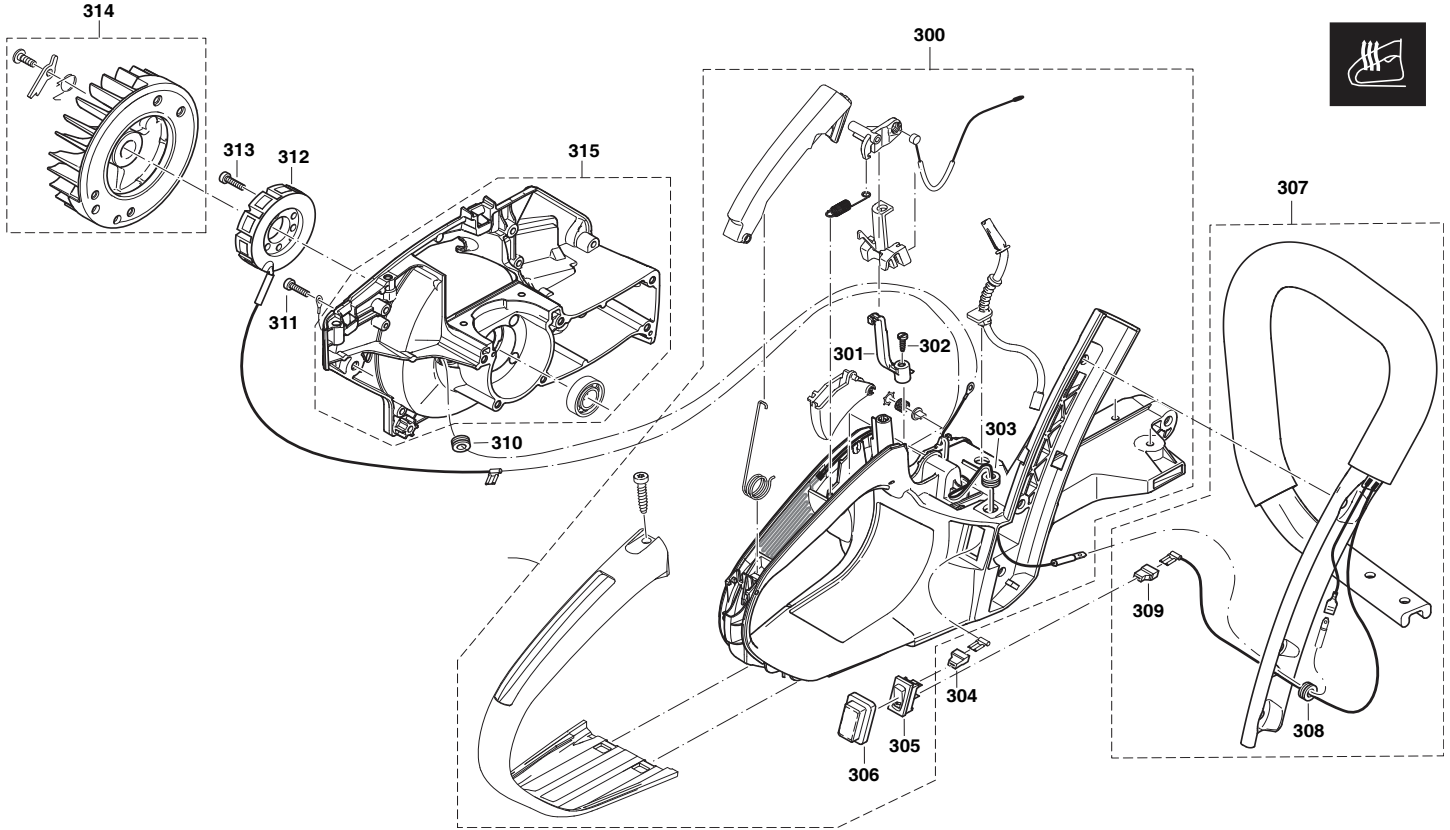


=> 2012-03



Products with multiple versions are listed in subsiding order with the newest version on top not indented.

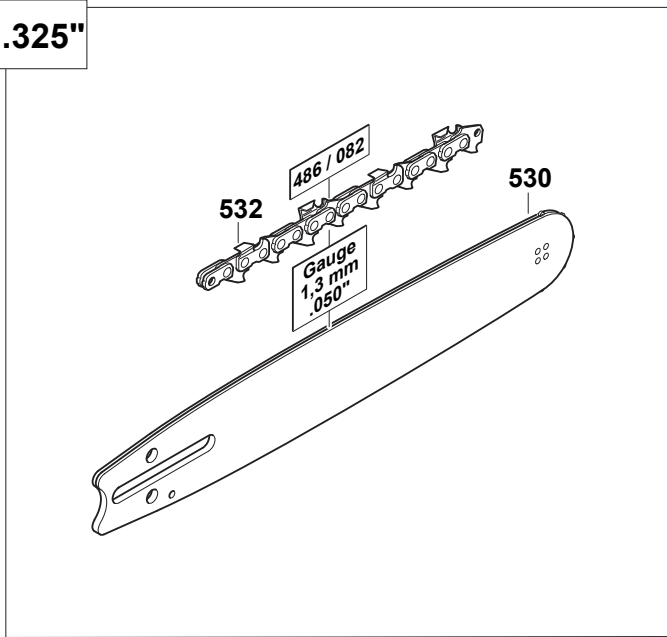
Section	Fig. No.	Part No.	Description	EA500P53G	EA500PR	PS-5105	PS-5105H	Tech Bulletin	Notes
6	201	181-153-301	CARBURETOR	1	1	1	1		2012-04>
6	201	181-153-300	CARBURETOR			1	1		>2012-03
6	202	181-153-030	PUMP COVER CPL			1	1		>2012-03
6	203	038-153-360	SCREW	1	1	1	1		
6	204	181-153-040	DIAPHRAGM COVER	1	1	1	1		
6	205	001-153-020	SCREW	2	2	2	2		
6	206	181-153-020	SET DIAPHRAGM / GASKETS			1	1		>2012-03
6	207	181-153-050	PUMP DIAPHRAGM TEFLON		1	1	1		STANDARD EQUIP >2012-03
6	207	181-153-060	PUMP DIAPHRAGM RUBBER			1	1		ACCESSORY >2012-03
6	208	038-153-210	FRICITION BALL			1	1		>2012-03
6	209	181-153-070	IDLE STOP SCREW			1	1		>2012-03
6	210	036-153-040	SCREEN			1	1		>2012-03
6	211	957-153-090	KIT THROTTLE SHAFT			1	1		>2012-03
6	212	957-153-080	KIT CHOKE SHAFT			1	1		>2012-03
6	213	957-153-070	CONTROL PARTS			1	1		>2012-03
6	217	181-153-220	WASHER			2	2		>2012-03
6	218	181-153-280	LIMITER CAP, WHITE			1	1		>2012-03
6	219	038-153-310	LIMITER CAP, RED			1	1		>2012-03
6	220	181-153-260	IDLE ADJUSTMENT SCREW			1	1		>2012-03
6	221	181-153-270	MAIN ADJUSTMENT SCREW			1	1		>2012-03
6	222	181-153-290	RUBBER RING			1	1		>2012-03
6	223	038-153-320	ADJUSTING GUIDE			1	1		>2012-03
6	224	181-153-110	SPRING			1	1		>2012-03
6	225	181-153-160	SPRING			1	1		>2012-03
6	226	181-153-210	PLUG-WELCH	1	1	1	1		
6	230	038-155-012	RETAINING CLIP	1	1	1	1		
6	231	965-402-995	GASKET	1	1	1	1		
6	250	181-153-301	CARBURETOR	1	1	1	1		2012-04>
6	251	181-153-261	IDLE ADJUSTMENT SCREW	1	1	1	1		2012-04>
6	252	181-153-271	MAIN ADJUSTMENT SCREW	1	1	1	1		2012-04>
6	255	181-153-031	PUMP COVER CPL	1	1	1	1		2012-04>
6	256	181-153-021	SET DIAPHRAGM / GASKETS	1	1	1	1		2012-04>
6	257	181-153-560	REBUILD KIT	1	1	1	1		2012-04>
6	258	181-153-570	KIT THROTTLE SHAFT	1	1	1	1		2012-04>
6	259	181-153-580	KIT CHOKE SHAFT	1	1	1	1		2012-04>



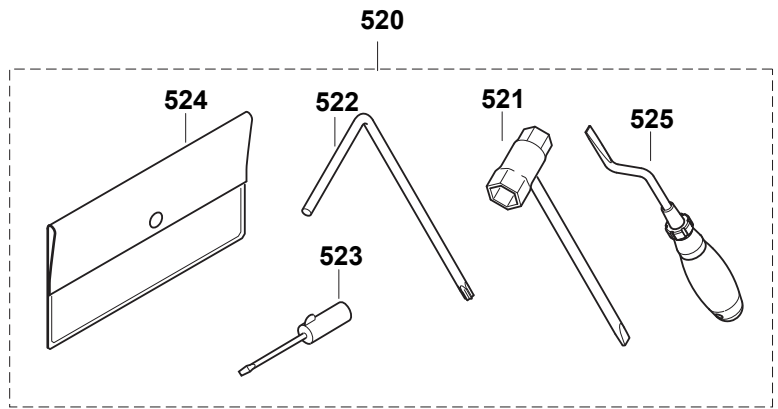
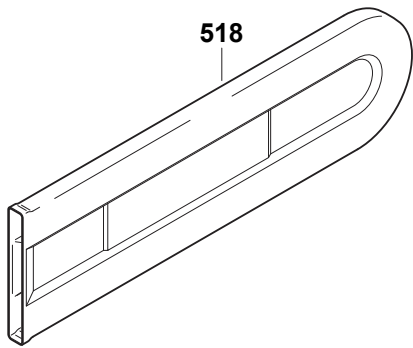
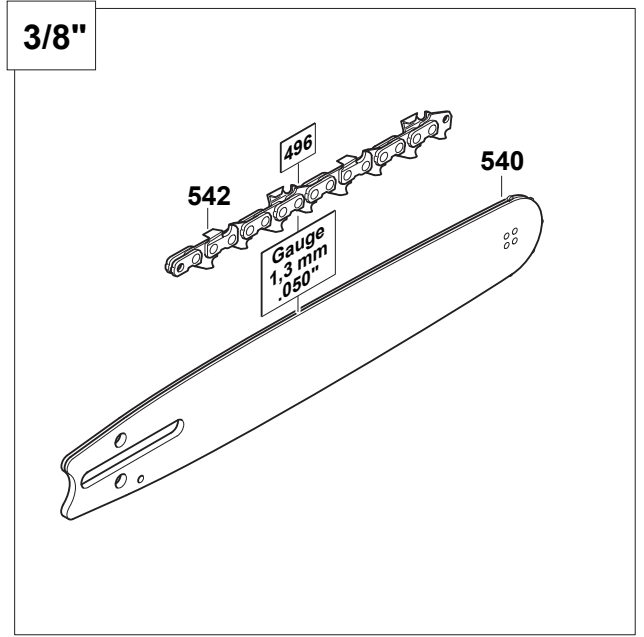
Products with multiple versions are listed in subsiding order with the newest version on top not indented.

Section	Fig. No.	Part No.	Description	EA500P53G	EA500PR	PS-5105	PS-5105H	Tech Bulletin	Notes
7	300	181-114-290	TANK CPL. RED HANDLE HEAT.				1		FOR HEATED HANDLE MODELS ONLY
7	301	181-148-071	CABLE GUIDE				1		FOR HEATED HANDLE MODELS ONLY
7	302	915-535-100	SCREW				1		FOR HEATED HANDLE MODELS ONLY
7	303	965-401-011	RUBBER BUSHING				1		FOR HEATED HANDLE MODELS ONLY
7	304	038-146-030	INSULATING CAP				1		FOR HEATED HANDLE MODELS ONLY
7	305	975-001-230	SWITCH				1		FOR HEATED HANDLE MODELS ONLY
7	306	975-001-260	SWITCH END CAP				1		FOR HEATED HANDLE MODELS ONLY
7	307	181-310-150	TUBULAR HANDLE ASSY.				1		FOR HEATED HANDLE MODELS ONLY
7	308	965-401-011	RUBBER BUSHING				1		FOR HEATED HANDLE MODELS ONLY
7	309	038-146-030	INSULATING CAP				1		FOR HEATED HANDLE MODELS ONLY
7	310	965-401-011	RUBBER BUSHING				1		FOR HEATED HANDLE MODELS ONLY
7	311	908-004-125	SCREW				1		FOR HEATED HANDLE MODELS ONLY
7	312	181-148-060	GENERATOR COIL				1		FOR HEATED HANDLE MODELS ONLY
7	313	908-004-125	SCREW				1		FOR HEATED HANDLE MODELS ONLY
7	314	181-148-105	FLYWHEEL ASSY. >2009-12				1	2010-01	FOR HEATED HANDLE MODELS ONLY
7	314	181-111-165	CRANKCASE M/SIDE RED				1		FOR HEATED HANDLE MODELS ONLY
7	315	181-111-164	CRANKCASE M/SIDE RED				1		FOR HEATED HANDLE MODELS ONLY
7	316	181-148-106	FLYWHEEL ASSY. 2010-01>				1	2010-01	FOR HEATED HANDLE MODELS ONLY

.325"



3/8"



Products with multiple versions are listed in subsiding order with the newest version on top not indented.

Section	Fig. No.	Part No.	Description	EA500P53G	EA500PR	PS-5105	PS-5105H	Tech Bulletin	Notes
8	518	952-010-140	CHAIN PROTECTION			1	1		
8	518	952-020-150	CHAIN PROTECTION			1	1		
8	518	952-020-650	CHAIN PROTECTION	1	1				
8	520	957-004-011	TOOL CPL.	1	1	1	1		
8	521	941-719-133	UNIVERSAL WRENCH	1	1	1	1		
8	521	941-719-131	UNIVERSAL WRENCH	1	1	1	1		
8	522	940-827-000	ANGLED SCREW DRIVER	1	1	1	1		
8	523	944-340-001	SCREWDRIVER	1	1	1	1		
8	524	950-004-002	PLASTIC BAG	1	1	1	1		
8	525	944-500-795	CYLINDER FIN CLEANER	1	1	1	1		
8	530	415-040-641	SPROCKET NOSE BAR .325 16"			1	1		
8	530	415-045-641	SPROCKET NOSE BAR .325 18"			1	1		
8	530	415-050-641	SPROCKET NOSE BAR .325 20"			1	1		
8	540	411-909-660	SPROCKET NOSE BAR 3/8 18"			1	1		
8	540	411-910-660	SPROCKET NOSE BAR 3/8 20"			1	1		
8	540	443-053-661	SPROCKET NOSE BAR 3/8 20"	1					
8	542	513-486-066	SAW CHAIN .325 .050 16"		1	1	1		
8	542	513-486-072	SAW CHAIN .325 .050 18"		1	1	1		
8	542	513-486-078	SAW CHAIN 3/8" .050 18"		1	1	1		
8	542	523-102-064	SAW CHAIN 3/8 .050 18"	1	1	1	1		
8	542	523-102-072A	SAW CHAIN 3/8", .050" 20"	1	1	1	1		