



Cordless Blower

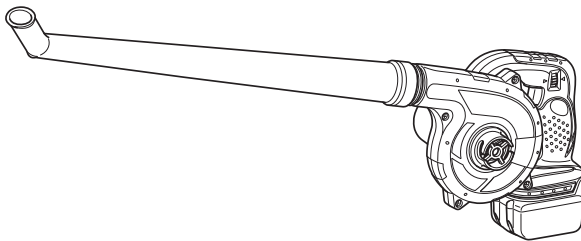
Souffleur sans fil

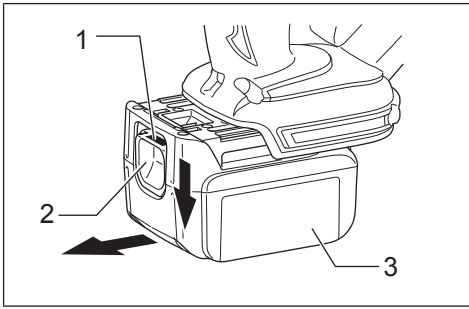
Sopladora Inalámbrica

Instruction Manual
Manuel d'instructions
Manual de instrucciones

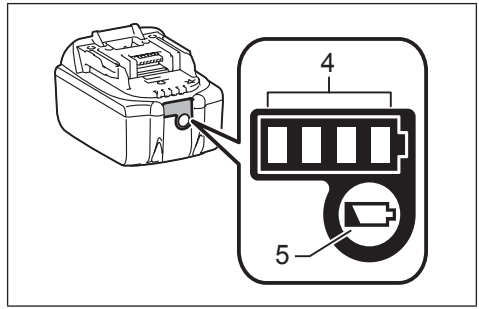
IMPORTANT: Read Before Using.
IMPORTANT : Lire avant usage.
IMPORTANTE: Lea antes de usar.

DUB143
DUB183

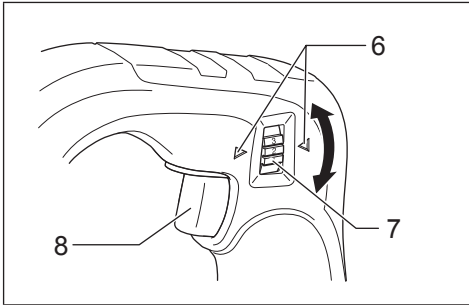




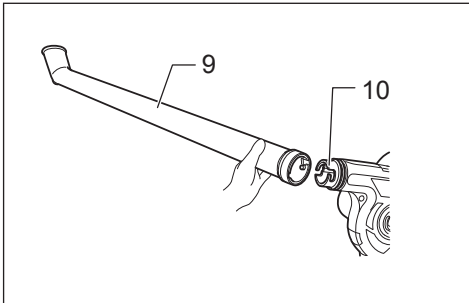
1 012938



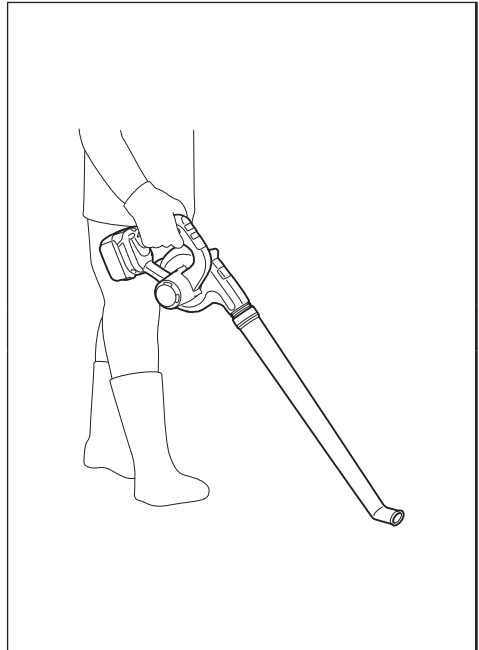
2 015676



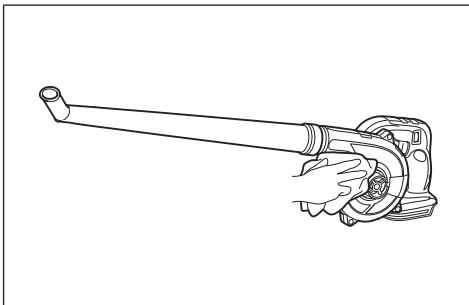
3 008313



4 012900



5 012901



6 012899

Symbols

The following show the symbols used for the equipment. Be sure that you understand their meaning before use.

Symboles

Nous donnons ci-dessous les symboles utilisés pour l'outil. Assurez-vous que vous en avez bien compris la signification avant d'utiliser l'outil.

Símbolos

A continuación se muestran los símbolos utilizados con esta herramienta. Asegúrese de que entienda su significado antes de usarla.



- Take particular care and attention.
- Veuillez travailler de façon très soignée et attentive.
- Preste especial atención y cuidado.



- Read instruction manual.
- Lire le mode d'emploi.
- Lea el manual de instrucciones.



- Keep a hand away from rotating parts.
- Gardez les mains éloignées des pièces en rotation.
- Mantenga las manos alejadas de las partes giratorias.



- Danger; be aware of thrown objects.
- Danger : prenez garde aux objets éjectés.
- Peligro; tenga cuidado con los objetos que salen lanzados.



- Keep bystanders away.
- Ne laissez pas approcher les curieux.
- Mantenga alejados a los transeúntes.



- Wear eye and ear protection.
- Portez des protections pour les yeux et les oreilles.
- Utilice protección para los ojos y oídos.



- Do not expose to moisture.
- N'exposez pas l'outil à l'humidité.
- No exponer a la humedad.

Explanation of general view

- | | | |
|---------------------|-----------------------------|------------------|
| 1 Red indicator | 5 CHECK button | 9 Garden nozzle |
| 2 Button | 6 Pointer | 10 Blower outlet |
| 3 Battery cartridge | 7 Air volume adjusting dial | |
| 4 Indicator lamps | 8 Switch trigger | |

SPECIFICATIONS

Model	DUB143		DUB183	
Air volume	0 – 2.6 m³/min (91.8 cu.ft/min)		0 – 2.6 m³/min (91.8 cu.ft/min)	
No load speed	0 – 18,000/min			
Overall length	827 mm (32-1/2")	829 mm (32-5/8")	843 mm (33-1/4")	845 mm (33-1/4")
Net weight	1.7 kg (3.7 lbs)	1.8 kg (4.0 lbs)	1.7 kg (3.8 lbs)	1.9 kg (4.3 lbs)
Rated voltage	D.C. 14.4 V		D.C. 18 V	
Battery cartridge	BL1415/BL1415N	BL1430/BL1430B/ BL1440/BL1450	BL1815/BL1815N/ BL1820/BL1820B	BL1830/BL1830B/ BL1840/BL1840B/ BL1850/BL1850B/ BL1860B

- Due to our continuing program of research and development, the specifications herein are subject to change without notice.
- Specifications and battery cartridge may differ from country to country.
- Weight, with battery cartridge, according to EPTA-Procedure 01/2003

ENE081-1

Intended use

The tool is intended for blowing debris.

GEA006-2

General Power Tool Safety Warnings

⚠ WARNING Read all safety warnings and all instructions. Failure to follow the warnings and instructions may result in electric shock, fire and/or serious injury.

Save all warnings and instructions for future reference.

The term "power tool" in the warnings refers to your mains-operated (corded) power tool or battery-operated (cordless) power tool.

Work area safety

1. **Keep work area clean and well lit.** Cluttered or dark areas invite accidents.
2. **Do not operate power tools in explosive atmospheres, such as in the presence of flammable liquids, gases or dust.** Power tools create sparks which may ignite the dust or fumes.
3. **Keep children and bystanders away while operating a power tool.** Distractions can cause you to lose control.

Electrical safety

4. **Power tool plugs must match the outlet. Never modify the plug in any way. Do not use any adapter plugs with earthed (grounded) power tools.** Unmodified plugs and matching outlets will reduce risk of electric shock.

5. **Avoid body contact with earthed or grounded surfaces such as pipes, radiators, ranges and refrigerators.** There is an increased risk of electric shock if your body is earthed or grounded.
6. **Do not expose power tools to rain or wet conditions.** Water entering a power tool will increase the risk of electric shock.
7. **Do not abuse the cord. Never use the cord for carrying, pulling or unplugging the power tool. Keep cord away from heat, oil, sharp edges or moving parts.** Damaged or entangled cords increase the risk of electric shock.
8. **When operating a power tool outdoors, use an extension cord suitable for outdoor use.** Use of a cord suitable for outdoor use reduces the risk of electric shock.
9. **If operating a power tool in a damp location is unavoidable, use a ground fault circuit interrupter (GFCI) protected supply.** Use of an GFCI reduces the risk of electric shock.

Personal safety

10. **Stay alert, watch what you are doing and use common sense when operating a power tool. Do not use a power tool while you are tired or under the influence of drugs, alcohol or medication.** A moment of inattention while operating power tools may result in serious personal injury.
11. **Use personal protective equipment. Always wear eye protection.** Protective equipment such as dust mask, non-skid safety shoes, hard hat, or hearing protection used for appropriate conditions will reduce personal injuries.
12. **Prevent unintentional starting. Ensure the switch is in the off-position before connecting to power source and/or battery pack, picking up or carrying the tool.** Carrying power tools with your finger on the switch or energising power tools that have the switch on invites accidents.
13. **Remove any adjusting key or wrench before turning the power tool on.** A wrench or a key left attached to a rotating part of the power tool may result in personal injury.

14. **Do not overreach. Keep proper footing and balance at all times.** This enables better control of the power tool in unexpected situations.
15. **Dress properly. Do not wear loose clothing or jewellery. Keep your hair, clothing, and gloves away from moving parts.** Loose clothes, jewellery or long hair can be caught in moving parts.
16. **If devices are provided for the connection of dust extraction and collection facilities, ensure these are connected and properly used.** Use of dust collection can reduce dust-related hazards.

Power tool use and care

17. **Do not force the power tool. Use the correct power tool for your application.** The correct power tool will do the job better and safer at the rate for which it was designed.
18. **Do not use the power tool if the switch does not turn it on and off.** Any power tool that cannot be controlled with the switch is dangerous and must be repaired.
19. **Disconnect the plug from the power source and/ or the battery pack from the power tool before making any adjustments, changing accessories, or storing power tools.** Such preventive safety measures reduce the risk of starting the power tool accidentally.
20. **Store idle power tools out of the reach of children and do not allow persons unfamiliar with the power tool or these instructions to operate the power tool.** Power tools are dangerous in the hands of untrained users.
21. **Maintain power tools. Check for misalignment or binding of moving parts, breakage of parts and any other condition that may affect the power tool's operation. If damaged, have the power tool repaired before use.** Many accidents are caused by poorly maintained power tools.
22. **Keep cutting tools sharp and clean.** Properly maintained cutting tools with sharp cutting edges are less likely to bind and are easier to control.
23. **Use the power tool, accessories and tool bits etc. in accordance with these instructions, taking into account the working conditions and the work to be performed.** Use of the power tool for operations different from those intended could result in a hazardous situation.

Battery tool use and care

24. **Recharge only with the charger specified by the manufacturer.** A charger that is suitable for one type of battery pack may create a risk of fire when used with another battery pack.
25. **Use power tools only with specifically designated battery packs.** Use of any other battery packs may create a risk of injury and fire.
26. **When battery pack is not in use, keep it away from other metal objects, like paper clips, coins, keys, nails, screws or other small metal objects, that can make a connection from one terminal to another.** Shorting the battery terminals together may cause burns or a fire.
27. **Under abusive conditions, liquid may be ejected from the battery; avoid contact. If contact accidentally occurs, flush with water. If liquid contacts eyes, additionally seek medical help.** Liquid ejected from the battery may cause irritation or burns.

Service

28. **Have your power tool serviced by a qualified repair person using only identical replacement parts.** This will ensure that the safety of the power tool is maintained.
29. **Follow instruction for lubricating and changing accessories.**
30. **Keep handles dry, clean and free from oil and grease.**

ENB116-6

BLOWER SAFETY WARNINGS

Training

1. Read the instructions carefully. Be familiar with the controls and the proper use of the machine.
2. Never allow people children, persons with reduced physical, sensory or mental capabilities or lack of experience and knowledge or people unfamiliar with these instructions to use the machine. Local regulations may restrict the age of the operator.
3. Never operate the machine while people, especially children, or pets are nearby.
4. The operator or user is responsible for accidents or hazards occurring to other people or their property.

Preparation

5. While operating the machine, always wear substantial footwear and long trousers.
6. Do not wear loose clothing or jewellery that can be drawn into the air inlet. Keep long hair away from the air inlets.
7. Wear protective goggles while operating.
8. To prevent dust irritation the wearing of a face mask is recommended.
9. Never operate the machine with defective guards or shields, or without safety devices, or if the battery is damaged.
10. Use personal protective equipment. Always wear eye protection. Protective equipment such as dust mask, non-skid safety shoes, hard hat, or hearing protection used for appropriate conditions will reduce personal injuries.

Operation

11. Always be sure that the machine is switched off and the battery cartridge is removed:
 - whenever you leave the machine;
 - before clearing a blockage;
 - before checking, cleaning or working on the machine;
 - after striking a foreign object to inspect the machine for damage;
 - if the machine starts to vibrate abnormally, for immediately check.
12. Operate the machine only in daylight or in good artificial light.
13. Do not overreach and keep your balance at all times.
14. Always be sure of your footing on slopes.
15. Walk, never run.
16. Do not touch moving hazardous parts before the machine is switched off and the battery cartridge is removed and the moving hazardous parts have come to a complete stop.
17. Never point the nozzle at anyone in the vicinity when using the blower.
18. Warning – Electric shock could occur if used on wet surfaces. Do not expose to rain. Store indoors. Avoid using the machine in bad weather conditions especially when there is a risk of lightning.

19. Never block suction inlet and/or blower outlet.
 - Do not block suction inlet or blower outlet to clean up in dusty areas.
 - Do not use the blower with a tapered nozzle smaller than the original one, such as a new nozzle obtained by attaching an extra diameter-reduced hose or smaller hose to the nozzle top end.
 - Do not Use the blower to inflate balls, rubber boat or the similar.

Increased motor revolution may cause dangerous fan breakage and result in serious personal injury. Heated motor and control circuit may cause a fire.

20. Do not operate the blower near open window, etc.
21. Operating the blower only at reasonable hours is recommended – not early in the morning or late at night when people might be disturbed.
22. To reduce damage from vibration and/or damage to the ears, operate the machine at low speed if possible and limit the time of operation.
23. Using rakes and brooms to loosen debris before blowing is recommended.
24. It is recommended to slightly dampen surfaces in dusty conditions or use mister attachment available on the market.
25. It is recommended to use the long nozzle so the air stream can work close to the ground.
26. Young children should be supervised to ensure that they do not play with the blower.
27. Do not insert fingers or other objects into suction inlet or blower outlet.
28. Prevent unintentional starting. Ensure the switch is in the off-position before connecting to power source and/or battery pack, picking up or carrying the tool. Carrying machines with your finger on the switch or energising machines that have the switch on invites accidents.
29. Make sure that there are nobody around you when you work at high places.

Maintenance and storage

30. Keep all nuts, bolts and screws tight to be sure the machine is in safe working condition.
31. Replace worn or damaged parts.
32. Use only genuine replacement parts and accessories.
33. Store the machine only in a dry place.

Battery tool use and care

34. Recharge only with the charger specified by the manufacturer. A charger that is suitable for one type of battery pack may create a risk of fire when used with another battery pack.
35. Use power tools only with specifically designated battery packs. Use of any other battery packs may create a risk of injury and fire.
36. When battery pack is not in use, keep it away from other metal objects, like paper clips, coins, keys, nails, screws or other small metal objects, that can make a connection from one terminal to another. Shorting the battery terminals together may cause burns or a fire.
37. Under abusive conditions, liquid may be ejected from the battery; avoid contact. If contact accidentally occurs, flush with water. If liquid contacts eyes, additionally seek medical help. Liquid ejected from the battery may cause irritation or burns.

SAVE THESE INSTRUCTIONS.



WARNING:

DO NOT let comfort or familiarity with product (gained from repeated use) replace strict adherence to safety rules for the subject product. **MISUSE** or failure to follow the safety rules stated in this instruction manual may cause serious personal injury.

ENC007-11

IMPORTANT SAFETY INSTRUCTIONS

FOR BATTERY CARTRIDGE

1. Before using battery cartridge, read all instructions and cautionary markings on (1) battery charger, (2) battery, and (3) product using battery.
2. Do not disassemble battery cartridge.
3. If operating time has become excessively shorter, stop operating immediately. It may result in a risk of overheating, possible burns and even an explosion.
4. If electrolyte gets into your eyes, rinse them out with clear water and seek medical attention right away. It may result in loss of your eyesight.
5. Do not short the battery cartridge:
 - (1) Do not touch the terminals with any conductive material.
 - (2) Avoid storing battery cartridge in a container with other metal objects such as nails, coins, etc.
 - (3) Do not expose battery cartridge to water or rain.

A battery short can cause a large current flow, overheating, possible burns and even a breakdown.
6. Do not store the tool and battery cartridge in locations where the temperature may reach or exceed 50 °C (122 °F).
7. Do not incinerate the battery cartridge even if it is severely damaged or is completely worn out. The battery cartridge can explode in a fire.
8. Be careful not to drop or strike battery.
9. Do not use a damaged battery.
10. The contained lithium-ion batteries are subject to the Dangerous Goods Legislation requirements. For commercial transports e.g. by third parties, forwarding agents, special requirement on packaging and labeling must be observed. For preparation of the item being shipped, consulting an expert for hazardous material is required. Please also observe possibly more detailed national regulations. Tape or mask off open contacts and pack up the battery in such a manner that it cannot move around in the packaging.
11. Follow your local regulations relating to disposal of battery.

SAVE THESE INSTRUCTIONS.

⚠ CAUTION: Only use genuine Makita batteries.

Use of non-genuine Makita batteries, or batteries that have been altered, may result in the battery bursting causing fires, personal injury and damage. It will also void the Makita warranty for the Makita tool and charger.

Tips for maintaining maximum battery life

- Charge the battery cartridge before completely discharged.**
Always stop tool operation and charge the battery cartridge when you notice less tool power.
- Never recharge a fully charged battery cartridge. Overcharging shortens the battery service life.**
- Charge the battery cartridge with room temperature at 10 °C – 40 °C (50 °F – 104 °F). Let a hot battery cartridge cool down before charging it.**
- Charge the battery cartridge if you do not use it for a long period (more than six months).**

FUNCTIONAL DESCRIPTION

⚠ CAUTION:

- Always be sure that the tool is switched off and the battery cartridge is removed before adjusting or checking function on the tool.

Installing or removing battery cartridge (Fig. 1)

⚠ CAUTION:

- Always switch off the tool before installing or removing of the battery cartridge.
- Hold the tool and the battery cartridge firmly when installing or removing battery cartridge.** Failure to hold the tool and the battery cartridge firmly may cause them to slip off your hands and result in damage to the tool and battery cartridge and a personal injury.

To remove the battery cartridge, slide it from the tool while sliding the button on the front of the cartridge.

To install the battery cartridge, align the tongue on the battery cartridge with the groove in the housing and slip it into place. Insert it all the way until it locks in place with a little click. If you can see the red indicator on the upper side of the button, it is not locked completely.

⚠ CAUTION:

- Always install the battery cartridge fully until the red indicator cannot be seen. If not, it may accidentally fall out of the tool, causing injury to you or someone around you.
- Do not install the battery cartridge forcibly. If the cartridge does not slide in easily, it is not being inserted correctly.

Indicating the remaining battery capacity (Fig. 2)

(Only for battery cartridges with "B" at the end of the model number.)

Press the check button on the battery cartridge to indicate the remaining battery capacity. The indicator lamps light up for few seconds.

Indicator lamps			Remaining capacity
Lighted	Off	Blinking	
■ ■ ■ ■			75% to 100%
■ ■ ■ □			50% to 75%
■ ■ □ □			25% to 50%
■ □ □ □			0% to 25%
▣ □ □ □			Charge the battery.
■ ■ □ □	↑	↓	The battery may have malfunctioned.

015658

NOTE:

- Depending on the conditions of use and the ambient temperature, the indication may differ slightly from the actual capacity.

Switch action (Fig. 3)

⚠ CAUTION:

- Before inserting the battery cartridge into the tool, always check to see that the switch trigger actuates properly and returns to the "OFF" position when released.

To start the tool, simply pull the switch trigger. Air volume is increased by increasing pressure on the switch trigger. Release the switch trigger to stop.

Air volume adjusting dial

Air volume can be adjusted to any of three settings by turning the adjusting dial with the switch trigger fully depressed. Refer to the table below for the relationship between the number on the dial and the air volume.

Number on the dial	Air volume
3	High
2	Medium
1	Low

008312

⚠ CAUTION:

- Use the adjusting dial only after the switch trigger returns to the "OFF" position. Turning the dial before the trigger returns may damage the tool.
- If the tool is operated continuously until the battery cartridge has discharged, rest the tool for at least 15 minutes before proceeding with a fresh battery.

ASSEMBLY

CAUTION:

- Always be sure that the tool is switched off and the battery cartridge is removed before carrying out any work on the tool.

Blowing (Fig. 4)

For debris blowing, attach garden nozzle to blower outlet, turning clockwise to lock it in place.

To remove the garden nozzle, turn it counterclockwise.

OPERATION

Blowing (Fig. 5)

Hold the blower firmly with a hand and perform the blowing operation by moving it around slowly.

When blowing around a building, a big stone or a vehicle, direct the nozzle away from them.

When performing an operation in corner, start from the corner and then move to wide area.

MAINTENANCE

CAUTION:

- Always be sure that the tool is switched off and the battery cartridge is removed before attempting to perform inspection or maintenance.
- Never use gasoline, benzine, thinner, alcohol or the like. Discoloration, deformation or cracks may result.

Cleaning (Fig. 6)

From time to time, wipe off the outside of the tool using a cloth dampened in soapy water.

To maintain product SAFETY and RELIABILITY, repairs, any other maintenance or adjustment should be performed by Makita Authorized Service Centers, always using Makita replacement parts.

OPTIONAL ACCESSORIES

CAUTION:

- These accessories or attachments are recommended for use with your Makita tool specified in this manual. The use of any other accessories or attachments might present a risk of injury to persons. Only use accessory or attachment for its stated purpose.

If you need any assistance for more details regarding these accessories, ask your local Makita Service Center.

- Nozzle
- Long nozzle
- Garden nozzle
- Makita genuine battery and charger

NOTE:

- Some items in the list may be included in the tool package as standard accessories. They may differ from country to country.

MAKITA LIMITED ONE YEAR WARRANTY

Warranty Policy

Every Makita tool is thoroughly inspected and tested before leaving the factory. It is warranted to be free of defects from workmanship and materials for the period of ONE YEAR from the date of original purchase. Should any trouble develop during this one year period, return the COMPLETE tool, freight prepaid, to one of Makita's Factory or Authorized Service Centers. If inspection shows the trouble is caused by defective workmanship or material, Makita will repair (or at our option, replace) without charge.

This Warranty does not apply where:

- repairs have been made or attempted by others;
- repairs are required because of normal wear and tear;
- the tool has been abused, misused or improperly maintained;
- alterations have been made to the tool.

IN NO EVENT SHALL MAKITA BE LIABLE FOR ANY INDIRECT, INCIDENTAL OR CONSEQUENTIAL DAMAGES FROM THE SALE OR USE OF THE PRODUCT. THIS DISCLAIMER APPLIES BOTH DURING AND AFTER THE TERM OF THIS WARRANTY. MAKITA DISCLAIMS LIABILITY FOR ANY IMPLIED WARRANTIES, INCLUDING IMPLIED WARRANTIES OF "MERCHANTABILITY" AND "FITNESS FOR A SPECIFIC PURPOSE," AFTER THE ONE YEAR TERM OF THIS WARRANTY.

This Warranty gives you specific legal rights, and you may also have other rights which vary from state to state. Some states do not allow the exclusion or limitation of incidental or consequential damages, so the above limitation or exclusion may not apply to you. Some states do not allow limitation on how long an implied warranty lasts, so the above limitation may not apply to you.

Descriptif

1	Indicateur rouge	5	Bouton de vérification	8	Gâchette
2	Bouton	6	Index	9	Buse pour jardin
3	Batterie	7	Cadran de réglage du volume d'air	10	Sortie d'air du souffleur
4	Voyants lumineux				

SPÉCIFICATIONS

Modèle	DUB143		DUB183	
Volume d'air	0 – 2,6 m³/min (91,8 cu.ft/min)		0 – 2,6 m³/min (91,8 cu.ft/min)	
Vitesse à vide	0 – 18 000/min			
Longueur totale	827 mm (32-1/2")	829 mm (32-5/8")	843 mm (33-1/4")	845 mm (33-1/4")
Poids net	1,7 kg (3,7 lbs)	1,8 kg (4,0 lbs)	1,7 kg (3,8 lbs)	1,9 kg (4,3 lbs)
Tension nominale	14,4 V CC		18 V CC	
Batterie	BL1415/BL1415N	BL1430/ BL1430B/ BL1440/BL1450	BL1815/ BL1815N/ BL1820/BL1820B	BL1830/BL1830B/ BL1840/BL1840B/ BL1850/BL1850B/ BL1860B

- Étant donné l'évolution constante de notre programme de recherche et de développement, les spécifications contenues dans ce manuel sont sujettes à modification sans préavis.
- Les spécifications et la batterie peuvent varier suivant les pays.
- Poids, avec la batterie, conformément à la procédure EPTA-01/2003

ENE081-1

Utilisations

L'outil est conçu pour souffler les débris.

GEA006-2

Consignes de sécurité générales pour outils électriques

⚠ AVERTISSEMENT Veuillez lire toutes les consignes de sécurité et instructions. Il y a un risque de choc électrique, d'incendie et/ou de blessure grave si les mises en garde et les instructions ne sont pas respectées.

Conservez toutes les mises en garde et instructions pour référence ultérieure.

Le terme "outil électrique", dans les avertissements, fait référence aux outils électriques branchés sur une prise secteur ou aux outils électriques sans fil alimentés par une batterie.

Sécurité de la zone de travail

1. **Gardez la zone de travail propre et bien éclairée.** Les zones de travail encombrées ou sombres ouvrent la porte aux accidents.
2. **N'utilisez pas les outils électriques dans les atmosphères explosives, par exemple en présence de liquides, gaz ou poussières inflammables.** Les outils électriques produisent des étincelles qui peuvent enflammer les poussières ou émanations.
3. **Gardez les enfants et passants à l'écart lorsque vous utilisez un outil électrique.** Les distractions peuvent causer une perte de contrôle de l'outil.

Sécurité électrique

4. **Les fiches de l'outil électrique doit correspondre au type de prise de courant. Ne modifiez jamais la fiche, de quelque façon que ce soit. Avec les outils électriques mis à la terre (masse), n'utilisez aucune fiche d'adaptation.** En utilisant des fiches non modifiées et des prises du type correspondant, vous réduirez les risques de choc électrique.
5. **Évitez tout contact du corps avec les surfaces mises à la terre ou à la masse, telles que tuyaux, radiateurs, cuisinières et réfrigérateurs.** Les risques de choc électrique augmentent si votre corps se trouve mis à la terre ou à la masse.
6. **Évitez d'exposer les outils électriques à la pluie ou à des emplacements mouillés.** En pénétrant dans un outil électrique, l'eau augmentera les risques de choc électrique.
7. **Ne maltraitez pas le cordon. Ne transportez jamais l'outil électrique par le cordon, et ne tirez pas sur le cordon pour déplacer l'outil ou débrancher la fiche. Gardez le cordon à l'écart de la chaleur, de l'huile, des bords tranchants et des pièces en mouvement.** Les cordons endommagés ou enchevêtrés augmentent les risques de choc électrique.
8. **Lorsque vous utilisez un outil électrique à l'extérieur, faites-le avec un cordon prolongateur conçu pour l'extérieur.** L'utilisation d'un cordon conçu pour l'extérieur réduit les risques de choc électrique.
9. **Si l'utilisation d'un outil électrique dans un emplacement humide est inévitable, utilisez une source d'alimentation protégée par un disjoncteur différentiel.** L'utilisation d'un disjoncteur différentiel réduit les risques de choc électrique.

Sécurité personnelle

10. **Restez alerte, attentif à vos gestes, et faites preuve de bon sens lorsque vous utilisez un outil électrique. Évitez d'utiliser un outil électrique si vous êtes fatigué ou sous l'effet d'une drogue, de l'alcool ou d'un médicament.** Un moment d'inattention pendant l'utilisation d'un outil électrique peut entraîner une grave blessure.

11. **Utilisez des dispositifs de protection personnelle. Portez toujours des protections pour les yeux.** Les risques de blessure seront moins élevés si vous utilisez des dispositifs de sécurité tels qu'un masque antipoussières, des chaussures à semelle antidérapante, une coiffure résistante ou une protection d'oreilles.
12. **Prévenez le démarrage accidentel. Assurez-vous que l'interrupteur est en position d'arrêt avant de brancher l'outil et/ou de connecter la batterie, et avant de saisir ou de transporter l'outil.** Vous ouvrez la porte aux accidents si vous transportez un outil électrique avec le doigt sur l'interrupteur ou le mettez sous tension alors que l'interrupteur est en position de marche.
13. **Avant de mettre l'outil sous tension, retirez toute clé ou clé de réglage.** Une clé de réglage ou clé fixée à une pièce en rotation de l'outil électrique peut entraîner une blessure.
14. **Maintenez une bonne position. Assurez-vous d'une bonne prise au sol et d'une bonne position d'équilibre en tout temps.** Vous aurez ainsi un meilleur contrôle de l'outil électrique dans les situations imprévues.
15. **Portez des vêtements adéquats. Ne portez ni vêtements amples ni bijoux. Gardez les cheveux, vêtements et gants à l'écart des pièces en mouvement.** Les pièces en mouvement peuvent happer les vêtements amples, les bijoux et les cheveux longs.
16. **Si des accessoires sont fournis pour raccorder des dispositifs d'aspiration et de collecte des poussières, assurez-vous qu'ils sont correctement raccordés et qu'ils sont utilisés de manière adéquate.** L'utilisation d'un dispositif de collecte des poussières peut réduire les risques liés à la présence de poussière dans l'air.

Utilisation et entretien de l'outil électrique

17. **Ne forcez pas l'outil électrique. Utilisez l'outil électrique qui convient au type de travail à effectuer.** Le bon outil électrique fera mieux le travail, et il le fera de façon plus sûre s'il est utilisé au régime pour lequel il a été conçu.
18. **N'utilisez pas l'outil électrique si son interrupteur est défectueux.** Tout outil électrique qui ne peut pas être commandé à l'aide de l'interrupteur est dangereux et doit être réparé.
19. **Débranchez la fiche de la source d'alimentation et/ou déconnectez la batterie avant d'effectuer tout réglage, de remplacer les accessoires ou de ranger les outils électriques.** Ces mesures préventives peuvent réduire les risques de démarrage accidentel de l'outil électrique.
20. **Gardez les outils électriques qui tournent au ralenti hors de la portée des enfants, et ne permettez leur utilisation par aucune personne non familiarisée avec leur utilisation ou avec les présentes instructions.** Les outils électriques sont dangereux entre les mains d'utilisateurs qui n'ont pas reçu une formation adéquate.

21. **Veillez à l'entretien des outils électriques. Assurez-vous que les pièces mobiles ne sont pas désalignées ou bloquées, qu'aucune pièce n'est cassée et que l'outil électrique n'a subi aucun dommage affectant son bon fonctionnement. Si l'outil électrique est endommagé, faites-le réparer avant de l'utiliser.** De nombreux accidents sont causés par des outils électriques mal entretenus.
22. **Maintenez les outils tranchants bien aiguisés et propres.** Un outil tranchant dont l'entretien est effectué correctement et dont les bords sont bien aiguisés risquera moins de bloquer et sera plus facile à contrôler.
23. **Utilisez l'outil électrique, ses accessoires, ses embouts, etc., en respectant les présentes instructions, en tenant compte des conditions de travail et du type de travail à effectuer.** L'utilisation d'un outil électrique à des fins autres que celles prévues peut entraîner une situation dangereuse.

Utilisation et entretien de la batterie

24. **Ne rechargez la batterie qu'avec le chargeur spécifié par le fabricant.** Un chargeur conçu pour un type de batterie donné peut comporter un risque d'incendie s'il est utilisé avec une batterie d'un autre type.
25. **Utilisez les outils électriques uniquement avec les batteries spécifiquement désignées.** L'utilisation de tout autre type de batterie comporte un risque de blessure ou d'incendie.
26. **Lorsque la batterie n'est pas utilisée, gardez-la à l'écart de tout objet métallique tel que trombone, pièce de monnaie, clé, clou ou vis, lesquels peuvent établir la connexion entre les bornes.** Le court-circuitage des bornes de la batterie peut causer des brûlures ou entraîner un incendie.
27. **En cas de mauvais traitement, du liquide peut être éjecté de la batterie ; évitez le contact avec ce liquide. En cas de contact accidentel, rincez la partie atteinte à l'eau. Si le liquide entre en contact avec les yeux, consultez un médecin.** Le liquide éjecté de la batterie peut causer de l'irritation ou des brûlures.

Réparation

28. **Confiez la réparation de l'outil électrique à un technicien réparateur agréé qui utilise uniquement des pièces de rechange identiques aux pièces originales.** Cela permettra de maintenir le fonctionnement sûr de l'outil électrique.
29. **Suivez les instructions pour le graissage et le remplacement des accessoires.**
30. **Gardez les poignées sèches, propres et exemptes d'huile et de graisse.**

CONSIGNES DE SÉCURITÉ DU SOUFFLEUR

Formation

1. Veuillez lire attentivement les instructions. Familiarisez-vous avec les commandes et l'utilisation correcte de l'outil.
2. Ne laissez jamais des enfants, des personnes présentant des capacités physiques, sensorielles ou mentales réduites, des personnes dénuées d'expérience et de connaissances ou des personnes non familiarisées avec les présentes instructions utiliser l'outil. Les réglementations locales peuvent imposer des restrictions sur l'âge de l'opérateur.
3. N'utilisez jamais l'outil à proximité de personnes, en particulier d'enfants, ou d'animaux domestiques.
4. L'opérateur ou l'utilisateur est responsable des accidents et dommages causés à des tiers ou à leurs biens.

Préparation

5. Lorsque vous utilisez l'outil, portez toujours des chaussures solides et des pantalons.
6. Ne portez pas de vêtements amples ou des bijoux qui pourraient être happés par l'entrée d'air. N'approchez pas vos cheveux des entrées d'air.
7. Portez des lunettes de protection lorsque vous utilisez l'outil.
8. Le port d'un masque protecteur est recommandé pour éviter l'irritation due à la poussière.
9. N'utilisez jamais l'outil avec des protections défectueuses ou sans dispositif de sécurité, ou si la batterie est endommagée.
10. Portez des équipements de protection personnelle. Portez toujours des protections pour les yeux. Les risques de blessure seront moins élevés si vous utilisez des dispositifs de sécurité tels qu'un masque antipoussière, des chaussures à semelle antidérapante, une coiffure résistante ou une protection d'oreilles.

Fonctionnement

11. Assurez-vous toujours que l'outil est hors tension et que la batterie a été retirée :
 - lorsque vous vous éloignez de l'outil ;
 - avant d'éliminer des obstructions ;
 - avant toute opération de vérification, de nettoyage ou de réparation de l'outil ;
 - lorsque vous vérifiez si l'outil est endommagé après avoir heurté un corps étranger ;
 - si l'outil commence à vibrer de manière anormale (vérification immédiate).
12. Utilisez l'outil uniquement à la lumière du jour ou sous un bon éclairage artificiel.
13. Ne vous penchez pas trop en avant et gardez votre équilibre en permanence.
14. Vérifiez vos points d'appui dans les pentes.
15. Marchez, ne courez jamais.
16. Arrêtez l'outil, retirez la batterie, et attendez l'arrêt complet des parties mobiles dangereuses avant de les toucher.
17. Pendant l'utilisation du souffleur, ne pointez jamais la buse vers une personne se trouvant à proximité.
18. Avertissement – Risque de choc électrique en cas d'utilisation sur une surface mouillée. N'exposez pas l'outil à la pluie. Rangez-le à l'intérieur. Évitez d'utiliser l'outil dans de mauvaises conditions météorologiques, en particulier en cas de risque de foudre.

19. Ne bloquez jamais l'entrée d'aspiration et/ou la sortie d'air du souffleur.
 - Ne bloquez pas l'entrée d'aspiration ou la sortie d'air du souffleur pour nettoyer dans des zones poussiéreuses.
 - N'utilisez pas le souffleur avec une buse conique plus étroite que la buse d'origine, par exemple en fixant à l'extrémité de celle-ci un tube de diamètre inférieur ou présentant une réduction de diamètre.
 - N'utilisez pas le souffleur pour gonfler des ballons, une embarcation gonflable ou des objets similaires.

L'augmentation de la vitesse de rotation du moteur peut provoquer une dangereuse rupture du ventilateur et entraîner une grave blessure. La surchauffe du moteur et du circuit de contrôle peuvent causer un incendie.

20. N'utilisez pas le souffleur près d'une fenêtre ouverte, etc.
21. Nous vous recommandons d'utiliser le souffleur uniquement à des heures raisonnables, ni tôt le matin ni tard le soir lorsque vous risquez de déranger le voisinage.
22. Pour réduire les dommages corporels dus aux vibrations et au bruit, faites fonctionner l'appareil à vitesse lente si possible et limitez la durée d'utilisation.
23. Il est recommandé de décompacter les débris à l'aide d'un râteau ou d'un balai avant d'effectuer le soufflage.
24. Dans les milieux poussiéreux, il est recommandé d'humidifier légèrement les surfaces avant soufflage, ou d'utiliser un pulvérisateur d'eau du commerce.
25. Il est recommandé d'utiliser la longue buse, de sorte que le jet d'air soit soufflé près du sol.
26. Les jeunes enfants doivent être surveillés pour s'assurer qu'ils ne jouent pas avec le souffleur.
27. N'insérez ni les doigts ni aucun objet dans l'entrée d'aspiration ou la sortie d'air du souffleur.
28. Prévenez les démarrages accidentels. Assurez-vous que l'interrupteur est en position d'arrêt avant de brancher l'outil et/ou de connecter la batterie, et avant de saisir ou de transporter l'outil. Vous ouvrez la porte aux accidents si vous transportez un outil électrique avec le doigt sur l'interrupteur ou le mettez sous tension alors que l'interrupteur est en position de marche.
29. Lorsque vous utilisez l'outil dans un endroit en hauteur, assurez-vous qu'il n'y a personne à proximité.

Entretien et rangement

30. Veillez à ce que tous les écrous, les boulons et les vis soient bien serrés afin que l'outil fonctionne en toute sécurité.
31. Remplacez les pièces usées ou endommagées.
32. Utilisez uniquement des pièces et des accessoires d'origine.
33. Entrez l'outil dans un endroit sec.

Utilisation et entretien de la batterie

34. Ne rechargez la batterie qu'avec le chargeur spécifié par le fabricant. Un chargeur conçu pour un type de batterie donné peut présenter un risque d'incendie s'il est utilisé avec une batterie d'un autre type.
35. Utilisez les outils électriques uniquement avec les batteries spécifiquement désignées. L'utilisation de tout autre type de batterie comporte un risque de blessure ou d'incendie.

36. Lorsque la batterie n'est pas utilisée, gardez-la à l'écart de tout objet métallique (trombone, pièce de monnaie, clé, clou, vis, etc.) pouvant établir une connexion entre les bornes. Le court-circuitage des bornes de la batterie peut causer des brûlures ou entraîner un incendie.
37. Dans de mauvaises conditions, du liquide peut être éjecté de la batterie ; évitez tout contact avec ce liquide. En cas de contact accidentel, rincez la partie atteinte à l'eau. Si le liquide entre en contact avec les yeux, consultez un médecin. Le liquide éjecté de la batterie peut causer une irritation ou des brûlures.

CONSERVEZ CES INSTRUCTIONS.

⚠ AVERTISSEMENT :

NE vous laissez PAS tromper (au fil d'une utilisation répétée) par un sentiment d'aisance et de familiarité avec le produit, en négligeant le respect rigoureux des consignes de sécurité qui accompagnent le produit en question. La MAUVAISE UTILISATION de l'outil ou l'ignorance des consignes de sécurité indiquées dans ce manuel d'instructions peut entraîner une blessure grave.

ENC007-11

IMPORTANTES CONSIGNES DE SÉCURITÉ

POUR LA BATTERIE

1. Avant d'utiliser la batterie, veuillez lire toutes les instructions et tous les avertissements inscrits sur (1) le chargeur de batterie, (2) la batterie et (3) le produit alimenté par la batterie.
2. Ne pas démonter la batterie.
3. Si l'autonomie de la batterie devient très courte, cessez immédiatement l'utilisation. Autrement il y a risque de surchauffe, de brûlure, voire d'explosion.
4. Si de l'électrolyte pénètre dans vos yeux, rincez-les à l'eau claire et consultez immédiatement un médecin. Autrement il y a risque de blessure aux yeux.
5. Ne pas court-circuiter la batterie :
 - (1) Ne pas toucher les bornes avec un objet conducteur.
 - (2) Évitez de ranger la batterie dans un contenant avec d'autres objets métalliques tels que clous, pièces de monnaie, etc.
 - (3) Ne pas exposer la batterie à l'eau ou à la pluie.

Un court-circuit de la batterie pourrait provoquer un fort courant, une surchauffe, parfois des brûlures et même une panne.

6. Ne pas ranger l'outil et la batterie dans les emplacements où la température peut atteindre ou dépasser 50 °C.
7. Ne pas jeter la batterie au feu même si elle est gravement endommagée ou complètement usée. La batterie peut exploser au contact du feu. Évitez d'échapper ou de heurter la batterie.
8. Évitez d'échapper ou de heurter la batterie.
9. Ne pas utiliser la batterie si elle est endommagée.
10. Les batteries au lithium-ion contenues sont soumises aux exigences de la législation en matière de marchandises dangereuses.

Pour le transport commercial, par exemple par des tierces parties ou des transitaires, les exigences spéciales figurant sur l'emballage et l'étiquetage doivent être respectées.

Pour préparer l'article à expédier, il est nécessaire de consulter un expert en matériaux dangereux. Veuillez également observer les réglementations nationales éventuellement plus détaillées.

Recouvrez de ruban adhésif les contacts exposés et emballez la batterie de telle sorte qu'elle ne puisse pas bouger dans l'emballage.

11. La batterie doit être éliminée conformément aux réglementations locales en vigueur.

CONSERVEZ CES INSTRUCTIONS.

⚠ ATTENTION : N'utilisez que des batteries Makita d'origine.

L'utilisation de batteries Makita de marque différente ou de batteries modifiées peut provoquer l'explosion des batteries, ce qui présente un risque d'incendie, de dommages matériels et corporels. Cela annulera également la garantie Makita pour l'outil et le chargeur Makita.

Conseils pour assurer la durée de vie optimale de la batterie

1. Chargez la batterie avant qu'elle ne soit complètement déchargée.
Arrêtez toujours l'outil et rechargez la batterie quand vous remarquez que la puissance de l'outil diminue.
2. Ne chargez jamais une batterie qui est déjà complètement chargée.
La surcharge réduit la durée de service de la batterie.
3. Chargez la batterie à la température ambiante intérieure d'une pièce, sur une plage de 10 °C à 40 °C.
Avant de charger une batterie chaude, laissez-la refroidir.
4. Chargez la batterie si vous prévoyez de ne pas l'utiliser pendant une période prolongée (plus de six mois).

DESCRIPTION DU FONCTIONNEMENT

⚠ ATTENTION :

- Vérifiez toujours que l'outil est hors tension et que la batterie est retirée avant d'ajuster l'outil ou de vérifier son fonctionnement.

Pose ou retrait de la batterie (Fig. 1)

⚠ ATTENTION :

- Mettez toujours l'outil hors tension avant de poser ou de retirer la batterie.
- Lorsque vous posez ou retirez la batterie, tenez fermement l'outil et la batterie. Si vous ne tenez pas fermement l'outil et la batterie, ils risquent de s'abîmer en vous glissant des mains, et vous courez un risque de blessure corporelle.

Pour retirer la batterie, faites-la glisser hors de l'outil tout en faisant glisser le bouton qui se trouve à l'avant de la batterie.

Pour poser la batterie, alignez sa languette sur la rainure à l'intérieur du carter, et faites-la glisser en place. Insérez-la à fond, jusqu'à ce qu'elle se mette en place avec un léger déclic. Si vous pouvez voir l'indicateur rouge du côté supérieur du bouton, la batterie n'est pas complètement verrouillée.

⚠ ATTENTION :

- Insérez toujours la batterie à fond, jusqu'à ce que l'indicateur rouge ne soit plus visible. Sinon, elle pourrait tomber accidentellement de l'outil, au risque de vous blesser ou de blesser quelqu'un se trouvant près de vous.
- Ne forcez pas pour insérer la batterie. Si elle ne glisse pas facilement, c'est que vous ne l'insérez pas correctement.

Affichage de la charge restante de la batterie (Fig. 2)

(uniquement pour les batteries dont le numéro de modèle finit par "B".)

Appuyez sur le bouton de vérification situé sur la batterie pour afficher la charge restante de la batterie. Les témoins s'allument pendant quelques secondes.

Témoins			Capacité restante
Allumé	Arrêt	Clignotant	
			75% à 100%
			50% à 75%
			25% à 50%
			0% à 25%
			Chargez la batterie.
			Il y a peut-être un dysfonctionnement de la batterie.

015658

NOTE :

- Suivant les conditions d'utilisation et la température ambiante, il se peut que la capacité restante indiquée par le témoin soit légèrement différente de la charge réelle.

Interrupteur (Fig. 3)

⚠ ATTENTION :

- Avant d'insérer la batterie dans l'outil, vérifiez toujours que la gâchette fonctionne correctement et revient sur la position "OFF" une fois libérée.

Pour mettre l'outil en marche, tirez simplement sur la gâchette. Le volume d'air augmente à mesure que vous augmentez la pression sur la gâchette.

Pour arrêter l'outil, libérez la gâchette.

Cadran de réglage du volume d'air

Trois réglages sont disponibles pour le volume d'air, en tournant le cadran de réglage alors que la gâchette est complètement enfoncée. Reportez-vous au tableau ci-dessous, qui indique la relation entre les numéros de cadran et le volume d'air.

Numéro sur le cadran	Volume d'air
3	Élevé
2	Moyen
1	Bas

008312

⚠ ATTENTION :

- N'utilisez le cadran de réglage qu'une fois la gâchette revenue sur la position "OFF". Vous risquez d'endommager l'outil si vous tournez le cadran avant le retour de la gâchette.
- Si l'outil est utilisé de manière continue jusqu'à ce que la batterie se décharge, laissez-le reposer au moins 15 minutes avant de poursuivre le travail avec une batterie fraîchement chargée.

ASSEMBLAGE

⚠ ATTENTION :

- Assurez-vous toujours que l'outil est hors tension et que sa batterie est retirée avant d'effectuer tout travail dessus.

Soufflage (Fig. 4)

Pour le soufflage de débris, fixez la buse pour jardin sur la sortie d'air du souffleur, en tournant la buse dans le sens des aiguilles d'une montre pour la verrouiller.

Pour retirer la buse pour jardin, tournez-la dans le sens contraire des aiguilles d'une montre.

UTILISATION

Soufflage (Fig. 5)

Tenez le souffleur fermement d'une main, et effectuez le travail de soufflage en le déplaçant lentement.

Lorsque vous effectuez le soufflage aux alentours d'un édifice, d'une grosse pierre ou d'un véhicule, ne pointez pas la buse vers ces derniers.

Lorsque vous effectuez le soufflage dans un coin, procédez du coin vers l'extérieur.

ENTRETIEN

⚠ ATTENTION :

- Assurez-vous toujours que l'outil est hors tension et la batterie retirée avant d'effectuer tout travail d'inspection ou d'entretien.
- N'utilisez jamais d'essence, benzine, diluant, alcool ou autre produit similaire. Cela risquerait de provoquer la décoloration, la déformation ou la fissuration de l'outil.

Nettoyage (Fig. 6)

Nettoyez de temps à autre la surface de l'outil à l'aide d'un chiffon trempé dans une eau savonneuse.

Pour maintenir la SÉCURITÉ et la FIABILITÉ du produit, les réparations, travaux d'entretien et autres réglages doivent être effectués dans un centre de service Makita agréé, exclusivement avec des pièces de rechange Makita.

ACCESSOIRES EN OPTION

ATTENTION :

- Ces accessoires ou pièces complémentaires sont recommandés pour l'utilisation avec l'outil Makita spécifié dans ce mode d'emploi. L'utilisation de tout autre accessoire ou pièce complémentaire peut comporter un risque de blessure. N'utilisez les accessoires ou pièces qu'aux fins auxquelles ils ont été conçus.

Si vous désirez obtenir plus de détails concernant ces accessoires, veuillez contacter le centre de service après-vente Makita le plus près.

- Buse
- Longue buse
- Buse pour jardin
- Batterie et chargeur Makita authentiques

NOTE :

- Il se peut que certains éléments de la liste soient compris dans l'emballage de l'outil en tant qu'accessoires standard. Ils peuvent varier d'un pays à l'autre.

GARANTIE LIMITÉE D'UN AN DE MAKITA

Politique de garantie

Tous les outils Makita sont soigneusement inspectés et mis à l'essai avant de quitter l'usine. Ils sont garantis contre les vices de fabrication et de matériau pour une période d'UN AN suivant la date de l'achat original. Si un problème survient pendant cette période d'un an, retournez l'outil COMPLET, fret payé d'avance, à une usine ou un centre de service après-vente autorisé Makita. S'il ressort de l'inspection que le problème est dû à un vice de fabrication ou de matériau, Makita réparera (ou remplacera, à son gré) l'outil gratuitement.

Cette garantie ne s'applique pas dans les cas où:

- des réparations ont été effectuées ou tentées par un tiers;
- des réparations sont nécessaires en raison de l'usure normale;
- l'outil a été malmené, mal utilisé ou non adéquatement entretenu;
- l'outil a subi des modifications.

MAKITA NE SERA EN AUCUN CAS RESPONSABLE DE TOUS DOMMAGES INDIRECTS, ACCESSOIRES OU CONSÉCUTIFS DE LA VENTE OU DE L'UTILISATION DU PRODUIT. CET AVIS DE NON-RESPONSABILITÉ S'APPLIQUE PENDANT ET APRÈS LA PÉRIODE COUVERTE PAR CETTE GARANTIE.

MAKITA DÉCLINE TOUTE RESPONSABILITÉ QUANT À TOUTES GARANTIES IMPLICITES, Y COMPRIS LES GARANTIES DE « QUALITÉ MARCHANDE » OU D'« ADAPTATION À UN USAGE PARTICULIER » APRÈS LA PÉRIODE DE GARANTIE D'UN AN.

Cette garantie vous donne des droits légaux spécifiques, et vous pouvez également avoir d'autres droits qui varient d'une province à l'autre. Certaines provinces n'autorisant pas l'exclusion ou la restriction des dommages accessoires ou consécutifs, il se peut que la restriction ou l'exclusion ci-dessus ne s'applique pas à vous. Certaines provinces n'autorisant pas de restriction quant à la durée des garanties implicites, il se peut que la restriction ci-dessus ne s'applique pas à vous.

Explicación de los dibujos

1 Indicador rojo	5 Botón de comprobación	8 Gatillo interruptor
2 Botón	6 Puntero	9 Boquilla para jardín
3 Cartucho de batería	7 Dial de regulación del volumen de aire	10 Salida de la sopladora
4 Lámparas indicadoras		

ESPECIFICACIONES

Modelo	DUB143		DUB183	
Volumen de aire	0 – 2,6 m³/min (91,8 cu.ft/min)		0 – 2,6 m³/min (91,8 cu.ft/min)	
Velocidad en vacío	0 – 18.000/min			
Longitud total	827 mm (32-1/2")	829 mm (32-5/8")	843 mm (33-1/4")	845 mm (33-1/4")
Peso neto	1,7 kg (3,7 lbs)	1,8 kg (4,0 lbs)	1,7 kg (3,8 lbs)	1,9 kg (4,3 lbs)
Tensión nominal	CC 14,4 V		CC 18 V	
Cartucho de batería	BL1415/BL1415N	BL1430/ BL1430B/ BL1440/BL1450	BL1815/ BL1815N/ BL1820/BL1820B	BL1830/BL1830B/ BL1840/BL1840B/ BL1850/BL1850B/ BL1860B

- Debido a nuestro continuado programa de investigación y desarrollo, las especificaciones indicadas aquí están sujetas a cambio sin previo aviso.
- Las especificaciones y el cartucho de batería pueden variar de un país a otro.
- Peso, con el cartucho de batería, de acuerdo con el procedimiento EPTA 01/2003

ENE081-1

Uso previsto

La herramienta ha sido prevista para barrer broza soplando.

GEA006-2

Advertencias de seguridad generales para herramientas eléctricas

⚠ ADVERTENCIA Lea todas las advertencias de seguridad y todas las instrucciones. Si no sigue todas las advertencias e instrucciones podrá ocasionar una descarga eléctrica, un incendio y/o heridas graves.

Guarde todas las advertencias e instrucciones para futuras referencias.

El término "herramienta eléctrica" en las advertencias se refiere a su herramienta eléctrica de funcionamiento con conexión a la red eléctrica (con cable) o herramienta eléctrica de funcionamiento a batería (sin cable).

Seguridad en el área de trabajo

1. **Mantenga el área de trabajo limpia y bien iluminada.** Las áreas de trabajo atestadas u oscuras son una invitación a accidentes.
2. **No utilice las herramientas eléctricas en atmósferas explosivas, tal como en la presencia de líquidos, gases o polvo inflamables.** Las herramientas eléctricas crean chispas que pueden prender fuego al polvo o los humos.
3. **Mantenga a los niños y transeúntes alejados mientras utiliza una herramienta eléctrica.** Las distracciones le pueden hacer perder el control.

Seguridad eléctrica

4. **Las clavijas de las herramientas eléctricas deberán ser apropiadas para la toma de corriente. No modifique nunca la clavija de ninguna forma. No utilice ninguna clavija adaptadora con herramientas eléctricas que tengan conexión a tierra (puesta a tierra).** La utilización de clavijas no modificadas y tomas de corriente apropiadas para las clavijas reducirá el riesgo de que se produzca una descarga eléctrica.
5. **Evite tocar con el cuerpo superficies conectadas a tierra o puestas a tierra tales como tubos, radiadores, cocinas y refrigeradores.** Si su cuerpo es puesto a tierra o conectado a tierra existirá un mayor riesgo de que sufra una descarga eléctrica.
6. **No exponga las herramientas eléctricas a la lluvia ni a condiciones húmedas.** La entrada de agua en una herramienta eléctrica aumentará el riesgo de que se produzca una descarga eléctrica.
7. **No haga mal uso del cable. No utilice nunca el cable para transportar, arrastrar o desenchufar la herramienta eléctrica. Mantenga el cable alejado del calor, aceite, bordes cortantes o partes en movimiento.** Los cables dañados o enredados aumentarán el riesgo de que se produzca una descarga eléctrica.
8. **Cuando utilice una herramienta eléctrica en exteriores, utilice un cable de extensión apropiado para uso en exteriores.** La utilización de un cable apropiado para uso en exteriores reducirá el riesgo de que se produzca una descarga eléctrica.
9. **Si resulta inevitable utilizar una herramienta eléctrica en un lugar húmedo, utilice un suministro de corriente protegido con un interruptor de circuito de pérdida a tierra (GFCI).** La utilización de un GFCI reduce el riesgo de que se produzcan descargas eléctricas.

Seguridad personal

10. **Esté alerta, concéntrese en lo que esté haciendo y emplee el sentido común cuando utilice una herramienta eléctrica. No utilice una herramienta eléctrica cuando esté cansado o bajo la influencia de drogas, alcohol o medicamentos.** Un momento sin atención mientras se están utilizando herramientas eléctricas podrá resultar en heridas personales graves.
11. **Utilice equipo de protección personal. Póngase siempre protección para los ojos.** El equipo de protección tal como máscara contra el polvo, zapatos de seguridad antideslizantes, casco rígido y protección para oídos utilizado en las condiciones apropiadas reducirá el riesgo de sufrir heridas personales.
12. **Evite los arranques indeseados. Asegúrese de que el interruptor está en la posición desactivada antes de conectar a la toma de corriente y/o la batería, coger o transportar la herramienta.** El transportar herramientas eléctricas con el dedo en el interruptor o el conectar la alimentación a herramientas eléctricas que tienen el interruptor activado invita a accidentes.
13. **Retire cualquier llave de ajuste o llave de apriete antes de encender la herramienta eléctrica.** Una llave de ajuste o llave de apriete que haya sido dejada puesta en una parte giratoria de la herramienta eléctrica podrá resultar en heridas personales.
14. **No utilice la herramienta donde no alcance. Mantenga los pies sobre suelo firme y el equilibrio en todo momento.** Esto permite un mejor control de la herramienta eléctrica en situaciones inesperadas.
15. **Vístase apropiadamente. No se ponga ropa holgada ni joyas. Mantenga su pelo, ropa y guantes alejados de las partes en movimiento.** La ropa holgada, las joyas y el pelo largo pueden engancharse en las partes en movimiento.
16. **Si hay provistos dispositivos para la conexión de equipos de extracción y recogida de polvo, asegúrese de conectarlos y utilizarlos debidamente.** La utilización de recogida de polvo permite reducir los riesgos relacionados con el polvo.

Utilización y cuidado de la herramienta eléctrica

17. **No fuerce la herramienta eléctrica. Utilice la herramienta eléctrica correcta para su tarea.** La herramienta eléctrica correcta realizará la tarea mejor y de forma más segura a la potencia para la que ha sido diseñada.
18. **No utilice la herramienta eléctrica si el interruptor no la enciende y apaga.** Cualquier herramienta eléctrica que no pueda ser controlada con el interruptor será peligrosa y deberá ser reparada.
19. **Desconecte la clavija de la toma de corriente y/o la batería de la herramienta eléctrica antes de hacer cualquier ajuste, cambio de accesorios o guardar la herramienta eléctrica.** Tales medidas de seguridad preventiva reducirán el riesgo de que la herramienta eléctrica pueda ser puesta en marcha por descuido.

20. **Guarde las herramientas eléctricas que no esté utilizando fuera del alcance de los niños y no permita que personas no familiarizadas con la herramienta eléctrica o estas instrucciones utilice la herramienta eléctrica.** Las herramientas eléctricas son peligrosas en manos de personas no capacitadas.
21. **Realice el mantenimiento a las herramientas eléctricas. Compruebe que no haya partes móviles desalineadas o estancadas, piezas rotas y cualquier otra condición que pueda afectar al funcionamiento de la herramienta eléctrica. Si la herramienta eléctrica está dañada, haga que se la reparen antes de utilizarla.** Muchos accidentes son ocasionados por herramientas eléctricas mal mantenidas.
22. **Mantenga los implementos de corte afilados y limpios.** Los implementos de corte bien mantenidos con los bordes de corte afilados son menos propensos a estancarse y más fáciles de controlar.
23. **Utilice la herramienta eléctrica, los accesorios y los implementos, etc., de acuerdo con estas instrucciones, teniendo en cuenta las condiciones de trabajo y la tarea que va a realizarse.** La utilización de la herramienta eléctrica para operaciones distintas de las previstas podrá ponerle en una situación peligrosa.

Utilización y cuidado de la herramienta a batería

24. **Cargue la batería solamente con el cargador especificado por el fabricante.** Un cargador que es apropiado para un tipo de batería puede crear un riesgo de incendio cuando se utiliza con otra batería.
25. **Utilice las herramientas eléctricas solamente con las baterías designadas específicamente para ellas.** La utilización de cualquier otra batería puede crear un riesgo de heridas o incendio.
26. **Cuando la batería no esté siendo utilizada, guárdela alejada de otros objetos metálicos, como sujetapapeles, monedas, llaves, clavos, tornillos u otros objetos metálicos pequeños, que puedan hacer conexión entre un terminal y el otro.** Si se cortocircuitan entre sí los terminales de la batería podrán producirse quemaduras o un incendio.
27. **En condiciones abusivas, es posible que salga expulsado líquido de la batería; evite el contacto con él. Si se produce un contacto accidental, enjuague con agua. Si el líquido entra en los ojos, además de enjuagarlos, solicite asistencia médica.** El líquido expulsado de la batería puede ocasionar irritación y quemaduras.

Servicio

28. **Haga que su herramienta eléctrica sea servida por una persona de reparación cualificada utilizando solamente piezas de repuesto idénticas.** De esta forma la herramienta eléctrica seguirá siendo segura.
29. **Siga las instrucciones para lubricarlas y cambiar los accesorios.**
30. **Mantenga las empuñaduras secas, limpias y libres de aceite y grasa.**

ADVERTENCIAS DE SEGURIDAD PARA LA SOPLADORA

Capacitación

1. Lea estas instrucciones atentamente. Familiarícese con los controles y la correcta utilización de la máquina.
2. No permita nunca que niños o personas con capacidades físicas, sensoriales o mentales mermadas o sin experiencia y conocimientos o personas no familiarizadas con estas instrucciones utilicen la herramienta. Los reglamentos locales pueden restringir la edad del operario.
3. No utilice nunca la máquina mientras haya cerca gente, especialmente niños, o animales domésticos.
4. El operario o el usuario es el responsable de los accidentes o riesgos ocasionados a otras personas o a sus propiedades.

Preparación

5. Mientras utiliza la máquina, póngase siempre calzado robusto y pantalones largos.
6. No se ponga ropa holgada o joyas que puedan ser succionadas al interior de la entrada de aire. Mantenga el pelo largo alejado de las entradas de aire.
7. Póngase gafas de protección mientras realiza la operación.
8. Para evitar irritación a causa del polvo, se recomienda que se ponga una máscara facial.
9. No utilice nunca la máquina con guardas o protectores defectuosos, o sin los dispositivos de seguridad, o si la batería está dañada.
10. Utilice equipo de protección personal. Póngase siempre protección para los ojos. El equipo de protección como máscara contra el polvo, zapatos de seguridad antideslizantes, casco rígido, o protección para los oídos utilizado en las condiciones apropiadas reducirá el riesgo de sufrir heridas personales.

Operación

11. Asegúrese siempre de que la máquina está apagada y que el cartucho de batería ha sido retirado:
 - siempre que vaya a dejar la máquina sin atender;
 - antes de despejar un atasco;
 - antes de comprobar, limpiar o trabajar en la máquina;
 - después de haber golpeado un objeto extraño para inspeccionar la máquina por si está dañada;
 - si la máquina comienza a vibrar anormalmente, para una comprobación inmediata.
12. Utilice la máquina solamente en luz diurna o con buena luz artificial.
13. No trabaje donde no alcance y mantenga el equilibrio en todo momento.
14. Asegúrese siempre de que en pendientes apoya bien los pies.
15. Camine, nunca corra.
16. No toque partes móviles peligrosas antes de que la máquina haya sido apagada y el cartucho de batería haya sido retirado y las partes móviles peligrosas se hayan parado completamente.
17. No apunte nunca la boquilla a alguien que esté cerca cuando esté utilizando la sopladora.

18. Advertencia – Se puede producir una descarga eléctrica si se utiliza en superficies mojadas. No la exponga a la lluvia. Almacénela en interiores. Evite utilizar la máquina en condiciones de mal tiempo, especialmente cuando haya riesgo de relámpagos.
19. No bloquee nunca la entrada de succión y/o la salida de aire de la sopladora.
 - No bloquee la entrada de succión ni la salida de aire de la sopladora para limpiar en lugares polvorientos.
 - No utilice la sopladora con una boquilla cónica más pequeña que la original, como una boquilla nueva obtenida colocando una manguera extra de diámetro reducido o una manguera más pequeña en el extremo superior de la boquilla.
 - No utilice la sopladora para inflar balones, botes inflables o por el estilo.

El aumento de las revoluciones del motor podrá ocasionar una peligrosa rotura del ventilador y resultar en graves heridas personales. El recalentamiento del motor y el circuito de control puede ocasionar un incendio.

20. No utilice la sopladora cerca de una ventana abierta, etc.
21. Se recomienda utilizar la sopladora solamente en horas razonables – no temprano por la mañana o tarde por la noche cuando es posible que se moleste a la gente.
22. Para reducir los daños por la vibración y/o daños a los oídos, utilice la máquina a baja velocidad si es posible y limite el tiempo de la operación.
23. Se recomienda utilizar rastrillos y escobas para aflojar los residuos antes de utilizar la sopladora.
24. Se recomienda humedecer ligeramente las superficies en condiciones polvorrientas o utilizar un acoplador rociador disponible en el comercio.
25. Se recomienda utilizar la boquilla larga para poder aplicar el flujo de aire cerca del suelo.
26. Los niños pequeños deberán ser supervisados para asegurarse de que no juegan con la sopladora.
27. No introduzca los dedos u otros objetos en la entrada de succión o la salida de aire de la sopladora.
28. Evite los arranques indeseados. Asegúrese de que el interruptor está en la posición desactivada antes de conectar a la toma de corriente y/o la batería, coger o transportar la herramienta. El transportar máquinas con el dedo en el interruptor o el conectar la alimentación a máquinas que tienen activado el interruptor invita a accidentes.
29. Asegúrese de que no haya nadie alrededor cuando trabaje en lugares altos.

Mantenimiento y almacenamiento

30. Mantenga todas las tuercas, pernos y tornillos apretados para asegurarse de que la máquina está en condiciones de trabajo seguras.
31. Reemplace las partes desgastadas o dañadas.
32. Utilice solamente piezas de repuesto y accesorios genuinos.
33. Almacene la máquina solamente en un lugar seco.

Utilización y cuidado de la herramienta a batería

34. Cargue la batería solamente con el cargador especificado por el fabricante. Un cargador que es apropiado para un tipo de batería puede crear un riesgo de incendio cuando se utiliza con otra batería.
35. Utilice las herramientas eléctricas solamente con las baterías designadas específicamente para ellas. La utilización de cualquier otra batería puede crear un riesgo de heridas o incendio.

36. Cuando la batería no esté siendo utilizada, guárdela alejada de otros objetos metálicos, como sujetapapeles, monedas, llaves, clavos, tornillos u otros objetos metálicos pequeños, que puedan hacer conexión entre un terminal y el otro. Si se cortocircuitan entre sí los terminales de la batería podrán producirse quemaduras o un incendio.
37. En condiciones abusivas, es posible que salga expulsado líquido de la batería; evite el contacto con él. Si se produce un contacto accidental, enjuague con agua. Si el líquido entra en los ojos, además de enjuagarlos, solicite asistencia médica. El líquido expulsado de la batería puede ocasionar irritación y quemaduras.

GUARDE ESTAS INSTRUCCIONES.

⚠ ADVERTENCIA:

NO deje que la comodidad o familiaridad con el producto (a base de utilizarlo repetidamente) sustituya la estricta observancia de las normas de seguridad para el producto en cuestión. El MAL USO o el no seguir las normas de seguridad establecidas en este manual de instrucciones podrá ocasionar graves heridas personales.

ENC007-11

INSTRUCCIONES DE SEGURIDAD IMPORTANTES

PARA EL CARTUCHO DE BATERÍA

1. Antes de utilizar el cartucho de batería, lea todas las instrucciones e indicaciones de precaución sobre (1) el cargador de baterías, (2) la batería, y (3) el producto con el que se utiliza la batería.
2. No desarme el cartucho de batería.
3. Si el tiempo de uso del cartucho de batería se acorta demasiado, deje de usarlo inmediatamente. Podría resultar en un riesgo de recalentamiento, posibles quemaduras e incluso una explosión.
4. Si entra electrolito en sus ojos, aclárelos con agua limpia y acuda a un médico inmediatamente. Existe el riesgo de poder perder la vista.
5. No cortocircuite el cartucho de batería:
 - (1) No toque los terminales con ningún material conductor.
 - (2) Evite guardar el cartucho de batería en un cajón junto con otros objetos metálicos, tales como clavos, monedas, etc.
 - (3) No exponga el cartucho de batería al agua ni a la lluvia.

Un cortocircuito en la batería puede producir una gran circulación de corriente, un recalentamiento, posibles quemaduras e incluso una rotura de la misma.
6. No guarde la herramienta y el cartucho de batería en lugares donde la temperatura pueda alcanzar o exceder los 50 °C.
7. Nunca incinere el cartucho de batería incluso en el caso de que esté dañado seriamente o ya no sirva en absoluto. El cartucho de batería puede explotar si se tira al fuego.
8. Tenga cuidado de no dejar caer ni golpear la batería.
9. No utilice una batería dañada.

10. Las baterías de litio-ion contenidas están sujetas a los requisitos de la Legislación para Materiales Peligrosos.

Para transportes comerciales, p.ej., por terceras personas y agentes de transportes, se deberán observar requisitos especiales para el empaquetado y etiquetado.

Para la preparación del artículo que se va a enviar, se requiere consultar con un experto en materiales peligrosos. Por favor, observe también la posibilidad de reglamentos nacionales más detallados.

Cubra con cinta aislante o enmascare los contactos expuestos y empaquete la batería de tal manera que no se pueda mover alrededor dentro del embalaje.

11. Siga los reglamentos locales referentes al desecho de la batería.

GUARDE ESTAS INSTRUCCIONES.

⚠ PRECAUCIÓN: Utilice solamente baterías genuinas de Makita.

La utilización de baterías no genuinas de Makita, o baterías que han sido alteradas, puede resultar en una explosión de la batería ocasionando incendios, heridas personales y daños. También anulará la garantía de Makita para la herramienta y el cargador de Makita.

Consejos para alargar al máximo la vida de servicio de la batería

1. Cargue el cartucho de batería antes de que se descargue completamente.
Pare siempre la operación y cargue el cartucho de batería cuando note menos potencia en la herramienta.
2. No cargue nunca un cartucho de batería que ya esté completamente cargado.
La sobrecarga acortará la vida de servicio de la batería.
3. Cargue el cartucho de batería a una temperatura ambiente de 10 °C – 40 °C.
Si un cartucho de batería está caliente, déjelo enfriar antes de cargarlo.
4. Cargue el cartucho de batería si no lo utiliza durante un periodo de tiempo prolongado (más de seis meses).

DESCRIPCIÓN DEL FUNCIONAMIENTO

⚠ PRECAUCIÓN:

- Asegúrese siempre de que la herramienta está apagada y el cartucho de batería extraído antes de realizar cualquier ajuste o comprobación en la herramienta.

Instalación o extracción del cartucho de batería (Fig. 1)

⚠ PRECAUCIÓN:

- Apague siempre la herramienta antes de la instalación o extracción del cartucho de batería.
- Sujete la herramienta y el cartucho de batería firmemente cuando instale o extraiga el cartucho de batería. Si no sujeta la herramienta y el cartucho de batería firmemente podrán caérsele de las manos y resultar en daños a la herramienta y cartucho de batería y heridas personales.

Para extraer el cartucho de batería, deslícelo de la herramienta a la vez que desliza el botón de la parte frontal del cartucho.

Para instalar el cartucho de batería, alinee la lengüeta del cartucho de batería con la ranura de la carcasa y deslícelo hasta que encaje en su sitio. Insértelo a tope hasta que se bloquee en su sitio produciendo un pequeño chasquido. Si puede ver el indicador rojo en el lado superior del botón, no estará bloqueado completamente.

⚠ PRECAUCIÓN:

- Instale siempre el cartucho de batería completamente hasta que no pueda verse el indicador rojo. En caso contrario, podrá caerse accidentalmente de la herramienta y ocasionarle heridas a usted o a alguien que esté cerca de usted.
- No instale el cartucho de batería empleando fuerza. Si el cartucho no se desliza al interior fácilmente, será porque no está siendo insertado correctamente.

Indicación de la capacidad de batería restante (Fig. 2)

(Solamente para cartuchos de batería con "B" al final del número de modelo).

Pulse el botón de comprobación en el cartucho de batería para indicar la capacidad de batería restante. Las lámparas indicadoras se iluminan durante unos pocos segundos.

Lámparas indicadoras			Capacidad restante
Encendida	Apagada	Parpadeo	
			75% a 100%
			50% a 75%
			25% a 50%
			0% a 25%
			Cargue la batería.
			Es posible que la batería no funcione bien.

015658

NOTA:

- Dependiendo de las condiciones de utilización y la temperatura ambiente, es posible que la indicación varíe ligeramente de la capacidad real.

Accionamiento del interruptor (Fig. 3)

⚠ PRECAUCIÓN:

- Antes de insertar el cartucho de batería en la herramienta, compruebe siempre para cerciorarse de que el gatillo interruptor se acciona debidamente y que vuelve a la posición "OFF" cuando lo suelta.

Para poner en marcha la herramienta, simplemente apriete el gatillo interruptor. El volumen de aire aumenta incrementando la presión en el gatillo interruptor.

Suelte el gatillo interruptor para parar.

Dial de regulación del volumen de aire

El volumen de aire se puede ajustar en uno cualquiera de los tres ajustes girando el dial de regulación con el gatillo interruptor apretado a fondo. Consulte la tabla de abajo para ver la relación existente entre el número del dial y el volumen de aire.

Número en el dial	Volumen de aire
3	Alto
2	Medio
1	Bajo

008312

⚠ PRECAUCIÓN:

- Utilice el dial de regulación solamente después de que el gatillo interruptor haya vuelto a la posición "OFF". Si gira el dial antes de que el gatillo haya vuelto podrá dañar la herramienta.
- Si utiliza la herramienta continuamente hasta descargar el cartucho de batería, deje descansar la herramienta durante al menos 15 minutos antes de proceder con una batería fresca.

MONTAJE

⚠ PRECAUCIÓN:

- Asegúrese siempre de que la herramienta esté apagada y el cartucho de batería extraído antes de realizar cualquier trabajo en la herramienta.

Soplado (Fig. 4)

Para soplar broza, coloque la boquilla para jardín en la salida de la sopladora, girando hacia la derecha para bloquearla en su sitio.

Para retirar la boquilla para jardín, gírela hacia la izquierda.

OPERACIÓN

Soplado (Fig. 5)

Sujete la sopladora firmemente con una mano y realice la operación de soplado moviéndolo alrededor despacio.

Cuando sople alrededor de un edificio, una piedra grande o un vehículo, dirija la boquilla en dirección contraria a ellos.

Cuando realice una operación en una esquina, comience desde la esquina y después mueva a un área amplia.

MANTENIMIENTO

⚠ PRECAUCIÓN:

- Asegúrese siempre de que la herramienta está apagada y el cartucho de batería desmontado antes de intentar realizar una inspección o mantenimiento.
- No utilice nunca gasolina, bencina, disolvente, alcohol o similares. Podría producir descoloración, deformación o grietas.

Limpieza (Fig. 6)

De vez en cuando, limpie el exterior de la herramienta utilizando un paño humedecido en agua jabonosa.

Para mantener la SEGURIDAD y la FIABILIDAD del producto, las reparaciones y cualquier otro mantenimiento o ajuste deberán ser realizados por los centros de servicio autorizado de Makita, siempre con piezas de repuesto de Makita.

ACCESORIOS OPCIONALES



PRECAUCIÓN:

- Estos accesorios o aditamentos están recomendados para su uso con la herramienta Makita especificada en este manual. El uso de cualquier otro accesorio o aditamento puede suponer un riesgo de lesiones personales. Utilice el accesorio o aditamento exclusivamente para su uso declarado.

Si necesita información más detallada sobre estos accesorios, consulte con su centro local de servicio de Makita.

- Boquilla
- Boquilla larga
- Boquilla para jardín
- Batería y cargador genuinos de Makita

NOTA:

- Algunos elementos de la lista podrán estar incluidos en el paquete de la herramienta como accesorios estándar. Pueden variar de un país a otro.

GARANTÍA LIMITADA DE UN AÑO DE MAKITA

Esta Garantía no aplica para México Política de garantía

Cada herramienta Makita es inspeccionada y probada exhaustivamente antes de salir de la fábrica. Se garantiza que está libre de defectos de mano de obra y materiales por el periodo de UN AÑO a partir de la fecha original de compra. Si durante este período de un año se desarrollara algún problema, devuelva la herramienta COMPLETA, con el envío prepagado, a un centro de servicio autorizado o de fábrica Makita. Si la inspección muestra que el problema ha sido a causa de un defecto de mano de obra o material, Makita hará la reparación (o a su discreción, el reemplazo) sin ningún cargo.

Esta garantía no aplica cuando:

- las reparaciones se hayan hecho o intentado hacer por otros;
- se requieran reparaciones debido al desgaste normal;
- la herramienta haya sido maltratada, recibido un mal uso o haya recibido un mantenimiento inapropiado;
- se hayan hecho modificaciones a la herramienta.

EN NINGÚN CASO MAKITA SE HARÁ RESPONSABLE DE NINGÚN DAÑO INDIRECTO, INCIDENTAL, O DERIVADO DE LA VENTA O USO DEL PRODUCTO. ESTE DESCARGO DE RESPONSABILIDAD APLICA DURANTE Y DESPUÉS DEL PLAZO DE ESTA GARANTÍA.

MAKITA RENUNCIA A LA RESPONSABILIDAD POR CUALQUIER GARANTÍA IMPLÍCITA, INCLUYENDO GARANTÍAS DE "COMERCIABILIDAD" Y "ADECUACIÓN PARA UN PROPÓSITO ESPECÍFICO", DESPUÉS DEL PLAZO DE UN AÑO DE ESTA GARANTÍA.

Esta garantía le concede derechos legales específicos y usted podrá tener también otros derechos que varían de un estado a otro. Algunos estados no permiten la exclusión o limitación de daños incidentales o consecuentes, por lo que la limitación o exclusión arriba mencionada podría no aplicar para usted. Algunos estados no permiten la limitación sobre la duración de una garantía implícita, por lo que la limitación arriba mencionada podría no aplicar para usted.

WARNING

Some dust created by power sanding, sawing, grinding, drilling, and other construction activities contains chemicals known to the State of California to cause cancer, birth defects or other reproductive harm. Some examples of these chemicals are:

- lead from lead-based paints,
- crystalline silica from bricks and cement and other masonry products, and
- arsenic and chromium from chemically-treated lumber.

Your risk from these exposures varies, depending on how often you do this type of work. To reduce your exposure to these chemicals: work in a well ventilated area, and work with approved safety equipment, such as those dust masks that are specially designed to filter out microscopic particles.

<Sólo en los Estados Unidos>

ADVERTENCIA

Algunos polvos creados por el lijado, aserrado, esmerilado, taladrado y otras actividades de la construcción contienen sustancias químicas reconocidas por el Estado de California como causantes de cáncer, defectos de nacimiento y otros peligros de reproducción. Algunos ejemplos de estos productos químicos son:

- plomo de pinturas a base de plomo,
- sílice cristalino de ladrillos y cemento y otros productos de albañilería, y
- arsénico y cromo de maderas tratadas químicamente.

El riesgo al que se expone varía, dependiendo de la frecuencia con la que realice este tipo de trabajo. Para reducir la exposición a estos productos químicos: trabaje en un área bien ventilada y póngase el equipo de seguridad indicado, tal como las máscaras contra polvo que están especialmente diseñadas para filtrar partículas microscópicas.

Makita Corporation

3-11-8, Sumiyoshi-cho,
Anjo, Aichi 446-8502 Japan

www.makita.com