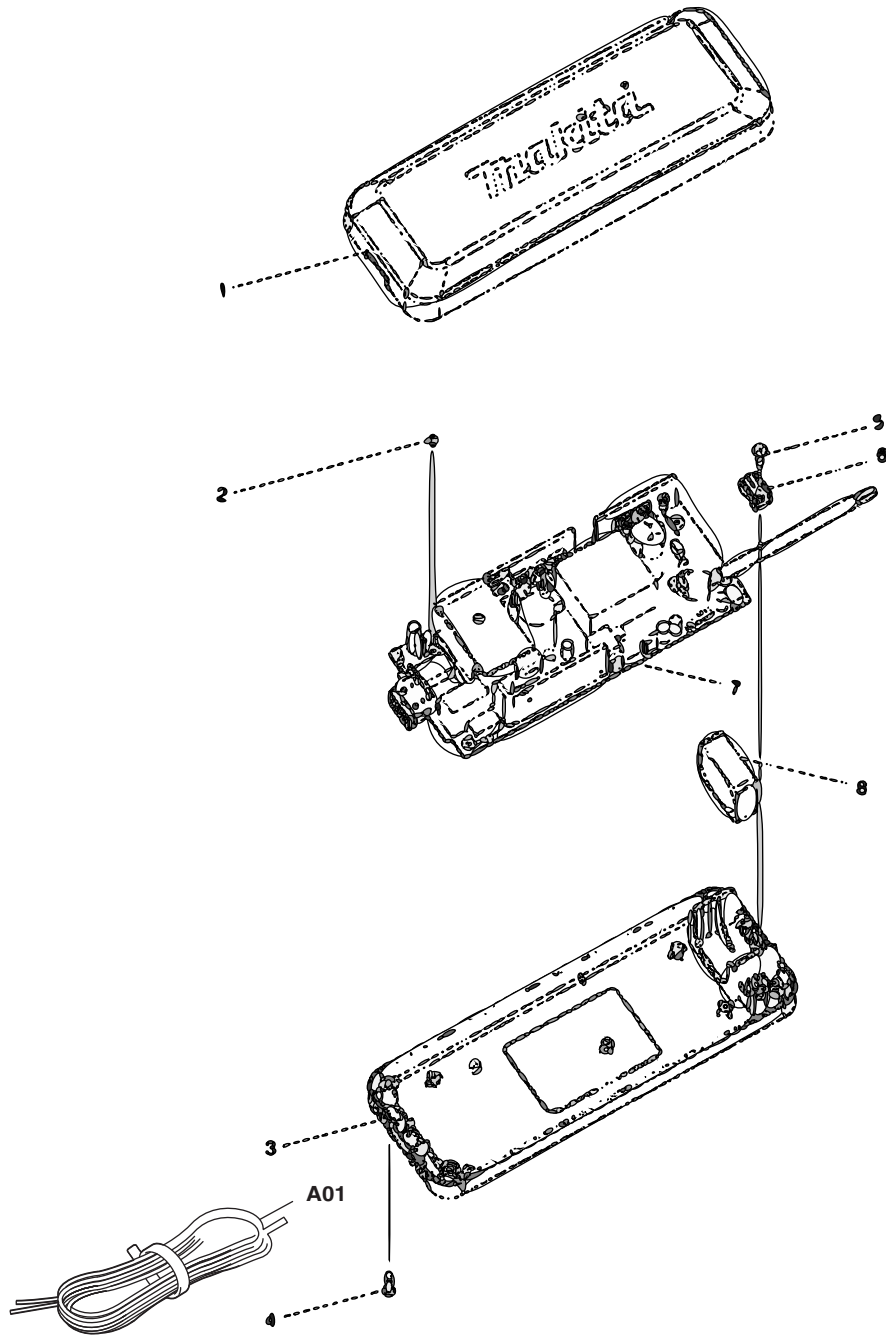




DC4001



Products with multiple versions are listed in subsiding order with the newest version on top not indented.

Section	Fig. No.	Part No.	Description	DC4001	Tech Bulletin	Notes
1	1	TC00000113	UPPER CASE	1		
1	2	TC00000114	TAPPING SCREW 3X6	4		
1	3	TC00000115	UNDER CASE	1		
1	4	TC00000116	TAPPING SCREW 4X20	4		
1	5	TC00000117	TAPPING SCREW 4X18	1		
1	6	TC00000118	CORD CLAMP	1		
1	7	TC00000205	PCBA	1		
1	7	TC00000119	PCBA	1		
1	8	TC00000120	FAN	1		
1	A01	667244-1	POWER SUPPLY CORD DC4001	1		Not Included w/charger