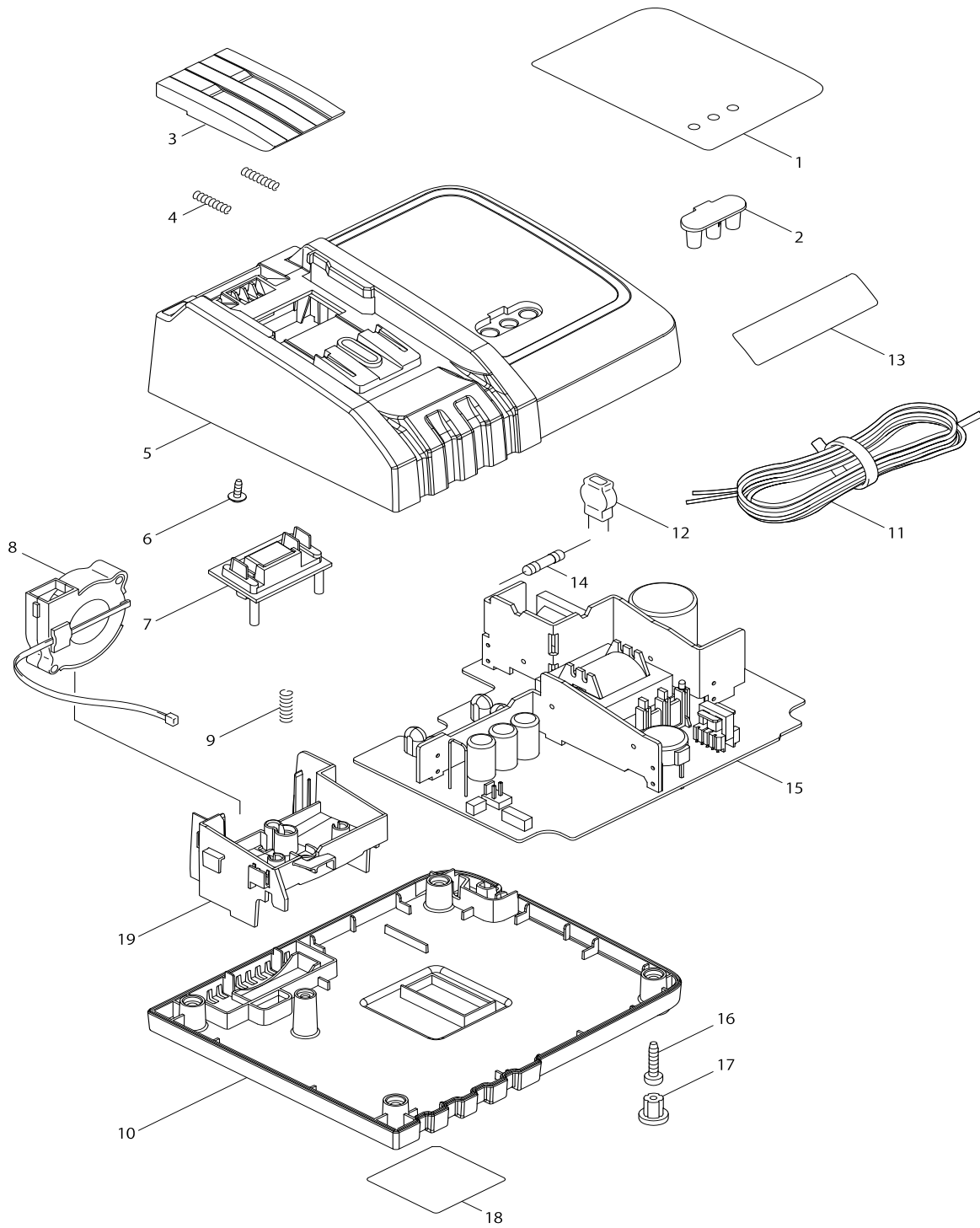




**DC18RC**



Products with multiple versions are listed in subsiding order with the newest version on top not indented.

Section	Fig. No.	Part No.	Description	DC18RC	Tech Bulletin	Notes
1	1	892752-5	CHARGING CONDITION LABEL	1		
1	2	452862-6	LENS	1		
1	3	419569-7	TERMINAL COVER	1		
1	4	231474-6	COMPRESSION SPRING 4	2		
1	5	140977-8	CHARGER CASE COMPLETE	1		INC. 2
1	6	266278-7	TAPPING SCREW FLANGE BT3X10	1		
1	7	638987-2	TERMINAL UNIT	1		
1	8	638499-5	SCIROCCO FAN	1		
1	9	233194-8	COMPRESSION SPRING 4	1		
1	10	452860-0	CHARGER CASE COVER	1		
1	11	667982-5	VINYL CORD #18-2-2.0	1		
1	12	647321-5	VARISTOR	1		
1	14	652802-6	FUSE	1		
1	15	620203-6	CHARGING CIRCUIT	1		INC. 12,14
1	16	266426-8	TAPPING SCREW 4X20	4		
1	17	286255-3	CAP 13	4		
1	18	869949-1	DC18RC T NAME PLATE	1		
1	19	452861-8	TERMINAL BASE	1		
1	20	266764-8	TAPPING SCREW 3X8	3		
1	E01	893544-5	CAUTION LABEL	1		