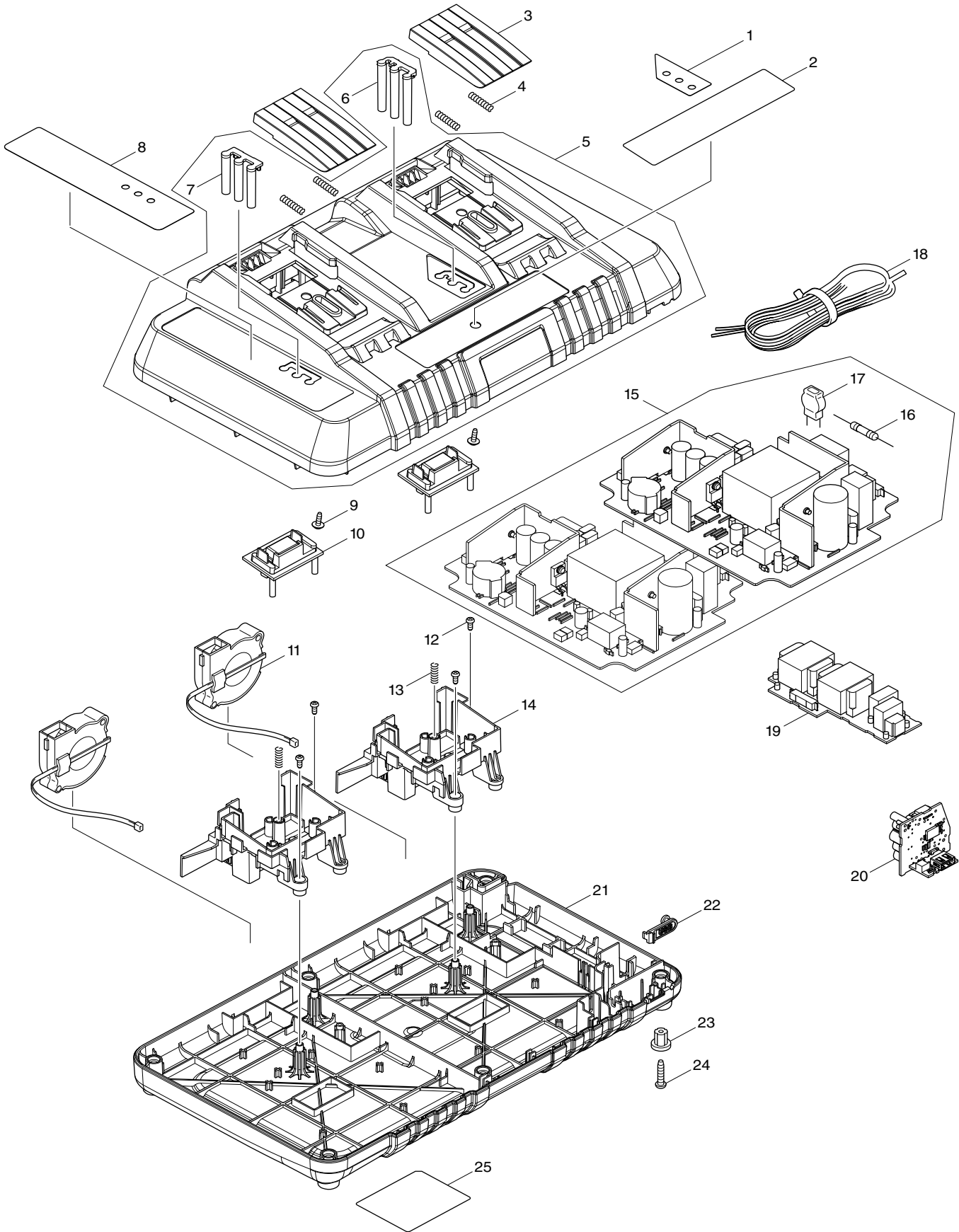




**DC18RD**



Products with multiple versions are listed in subsiding order with the newest version on top not indented.

Section	Fig. No.	Part No.	Description	DC18RD	Tech Bulletin	Notes
1	1	804Y51-3	INDICATION LABEL	1		
1	2	804Y52-1	MAKITA LOGO LABEL	1		
1	3	455546-5	TERMINAL COVER	2		
1	4	231474-6	COMPRESSION SPRING 4	4		
1	5	142845-1	CHARGER CASE COMPLETE	1		INC 6,7
1	6	455402-9	LENS B	1		
1	7	455401-1	LENS A	1		
1	8	804Y47-4	CHARGING CONDITION LABEL	1		
1	9	266278-7	TAPPING SCREW FLANGE BT3X1	2		
1	10	632E11-3	TERMINAL UNIT	2		
1	11	638499-5	SCIROCCO FAN	2		
1	12	266764-8	TAPPING SCREW 3X8	4		
1	13	233194-8	COMPRESSION SPRING 4	2		
1	14	455399-2	TERMINAL BASE	2		
1	15	620203-6	CHARGING CIRCUIT	2		INC 16,17
1	16	652802-6	FUSE	1		
1	17	647321-5	VARISTOR	1		
1	18	667852-8	VINYL CORD	1		
1	19	620325-2	FILTER CIRCUIT	1		
1	20	620412-7	USB CIRCUIT	1		
1	21	455398-4	CHARGER CASE COVER	1		
1	22	455403-7	USB COVER	1		
1	23	286255-3	CAP 13	4		
1	24	266426-8	TAPPING SCREW 4X20	6		
1	25	850E35-9	DC18RD NAME PLATE	1		
1	E01	804Y49-0	CAUTION LABEL	1		