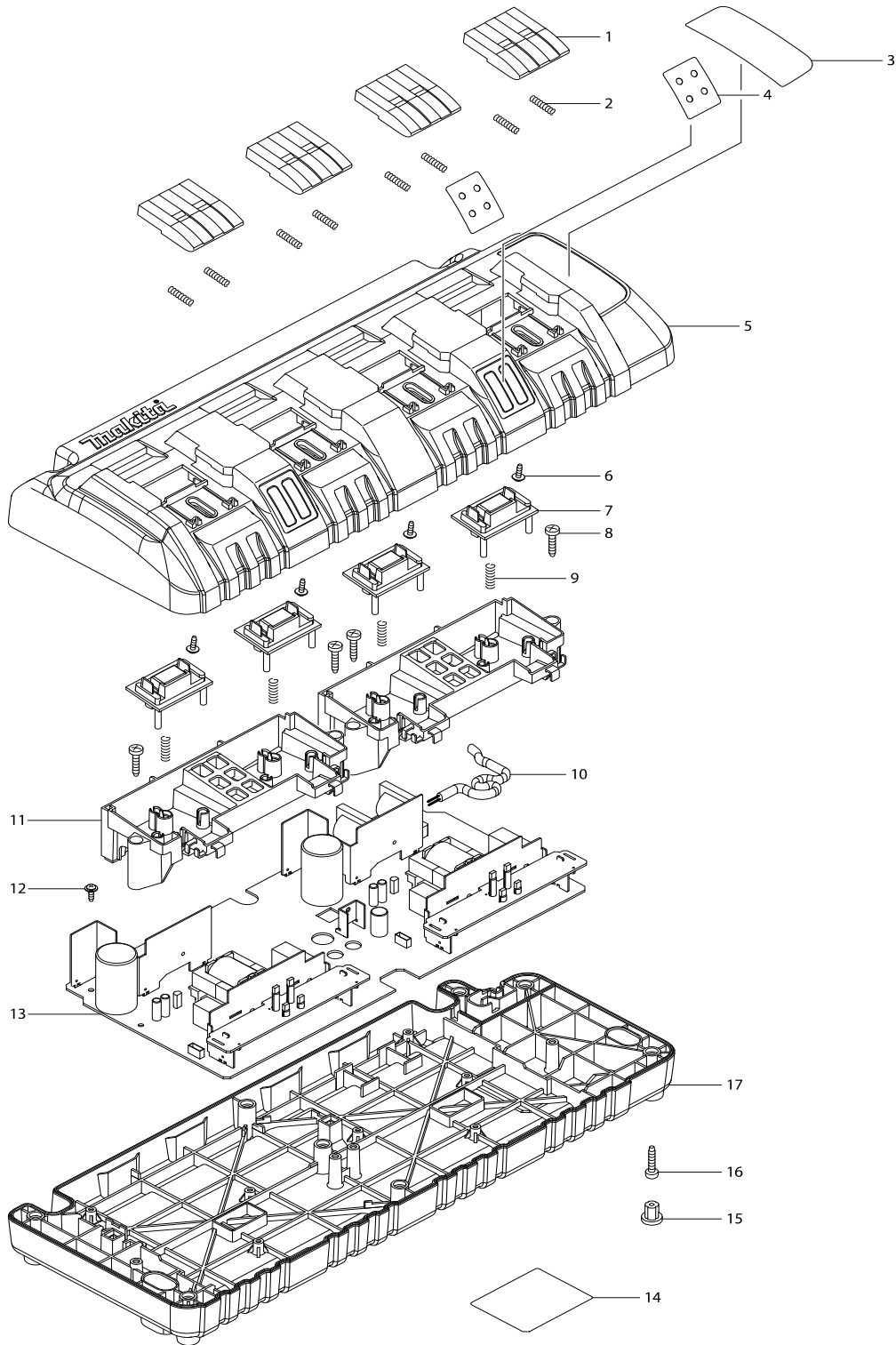




DC18SF



Products with multiple versions are listed in subsiding order with the newest version on top not indented.

Section	Fig. No.	Part No.	Description	DC18SF	Tech Bulletin	Notes
1	1	454262-6	TERMINAL COVER	4	B1681	
1	2	231474-6	COMPRESSION SPRING 4	8		
1	3	801K88-7	CHARGING CONDITION LABEL	1		
1	4	801M82-1	INDICATION LABEL	2		
1	5	141900-6	CHARGER CASE COMPLETE	1		
1	6	266278-7	TAPPING SCREW FLANGE BT3X10	4		
1	7	632B34-3	TERMINAL UNIT	4		
1	8	266346-6	TAPPING SCREW BT 4X20	4		
1	9	233194-8	COMPRESSION SPRING 4	4		
1	10	667982-5	VINYL CORD #18-2-2.0	1		
1	11	454263-4	TERMINAL BASE	2		
1	12	266278-7	TAPPING SCREW FLANGE BT3X10	8		
1	13	620190-9	CHARGING CIRCUIT	1		
1	14	814K86-2	DC18SF NAME PLATE	1		
1	15	286255-3	CAP 13	4		
1	16	266346-6	TAPPING SCREW BT 4X20	8		
1	17	454261-8	CHARGER CASE COVER	1		