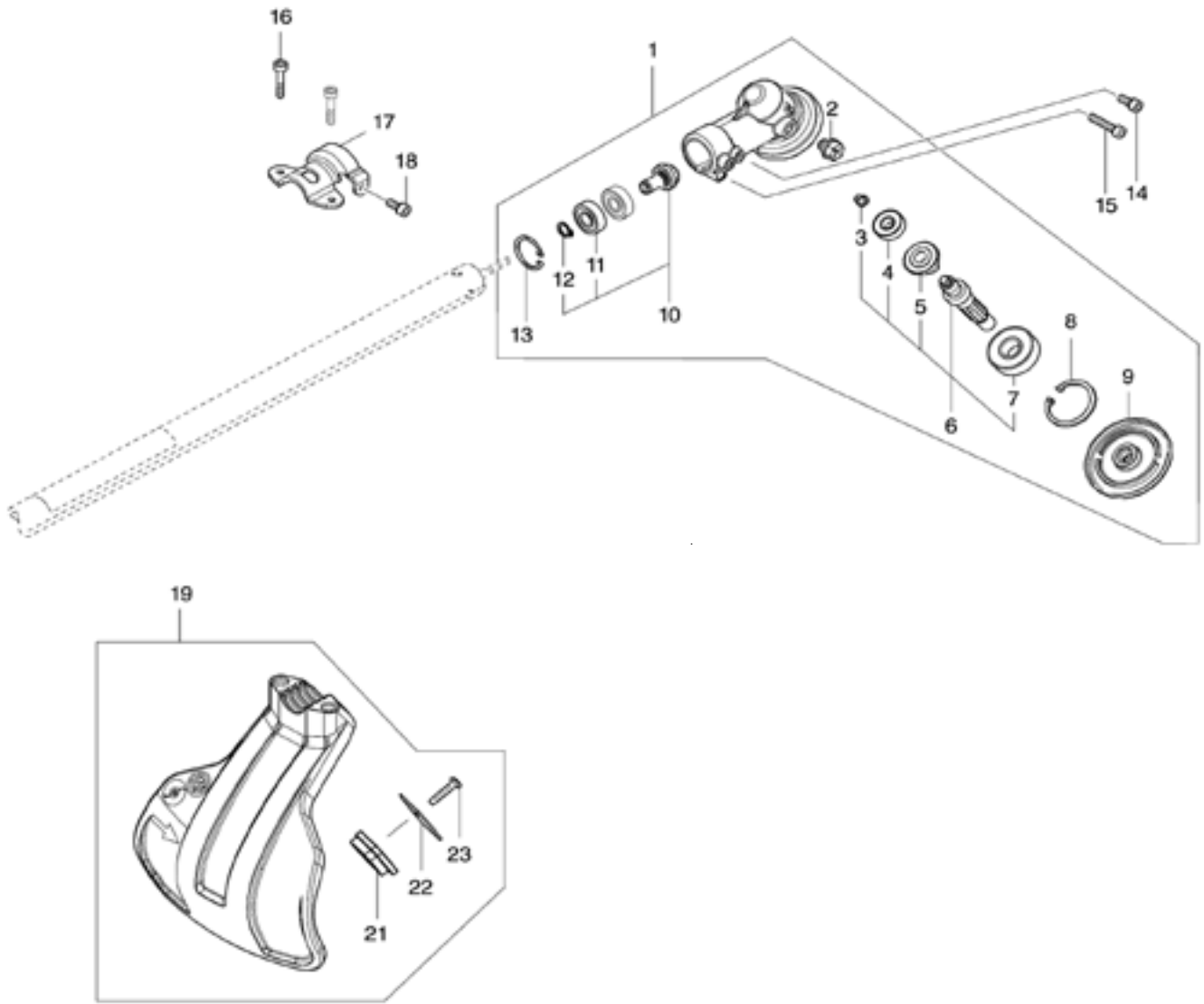


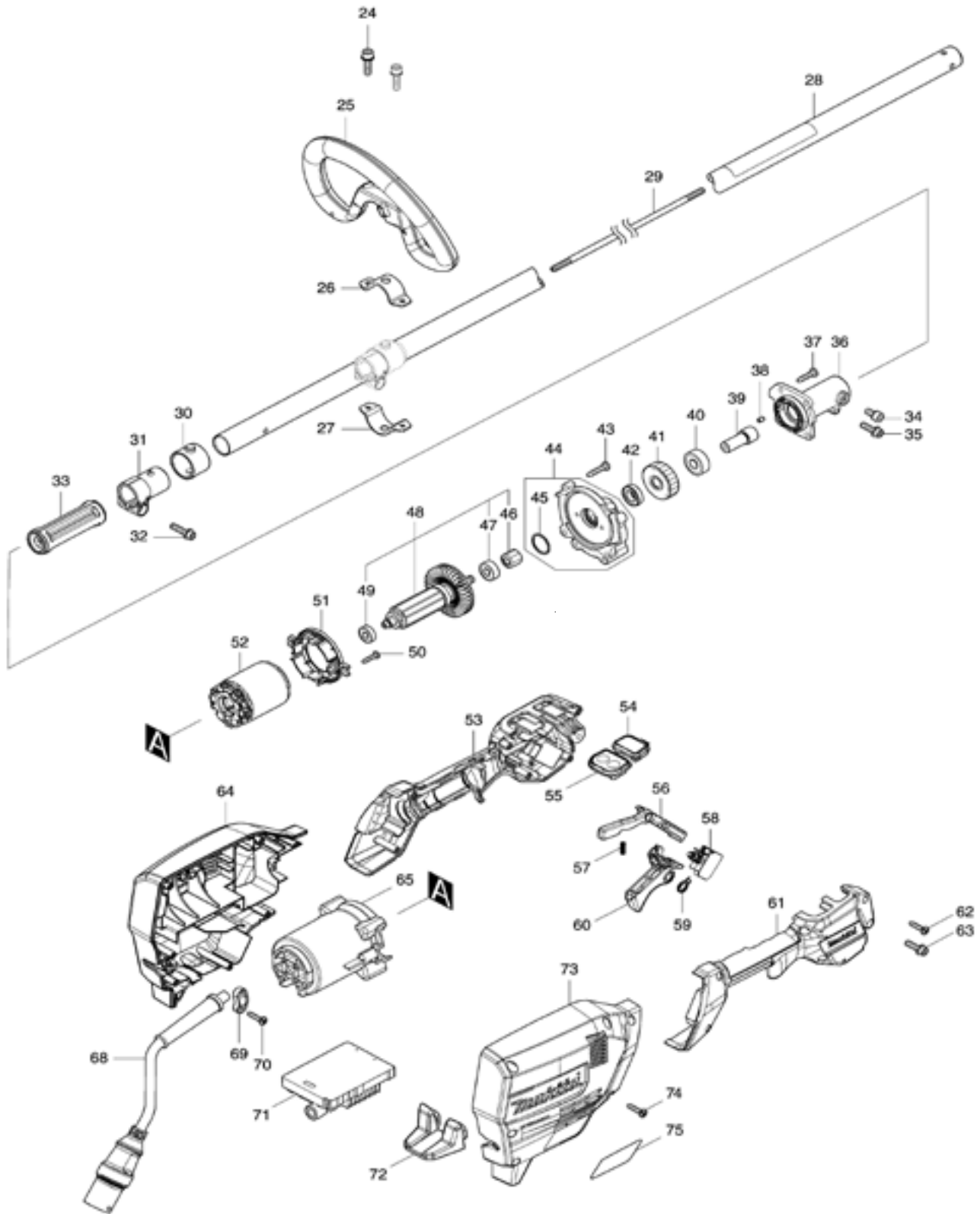


CRU03Z



Products with multiple versions are listed in subsiding order with the newest version on top not indented.

Section	Fig. No.	Part No.	Description	CRU03Z	Tech Bulletin	Notes
1	1	127380-0	GEAR CASE ASSEMBLY US	1		INC. 2,6,8,9,10,13
1	2	265590-2	+HEX.BOLT M8X10 WITH R	1		
1	3	259070-8	RETAINING RING (EXT) S-7	1		
1	4	210025-8	BALL BEARING 627ZZ	1		
1	4	210030-5	BALL BEARING 627ZZ	1		
1	5	226954-5	SPIRAL BEVEL GEAR 21	1		
1	6	136234-0	CUTTER SHAFT ASS'Y	1		INC. 3-5,7
1	7	211228-7	BALL BEARING 6202DDW	1		
1	8	259069-3	RETAINING RING (INT) R-35	1		
1	9	140N88-3	RECEIVE WASHER COMPLETE	1		
1	10	136236-6	SPIRAL BEVEL GEAR ASS'Y	1		INC. 11,12
1	11	210051-7	BALL BEARING 609ZZ	2		
1	11	210049-4	BALL BEARING 609ZZ	2		
1	12	259071-6	RETAINING RING (EXT) S-9	1		
1	13	259072-4	RETAINING RING (INT)R-24	1		
1	14	922216-6	HEX. SOCKET HEAD BOLT M5X14	1		
1	15	922242-5	HEX. SOCKET HEAD BOLT M5X25	1		
1	16	251513-6	H.S.H.BOLT M5X25	2		
1	17	347107-4	PROTECTOR CLAMP 24	1		
1	18	922216-6	HEX. SOCKET HEAD BOLT M5X14	1		
1	19	191B55-9	PROTECTOR N 430 SET MG	1		INC. 21-23
1	21	459765-5	CUTTER EXTENSION	1		
1	22	347115-5	CUTTER	1		
1	23	266459-3	TAPPING SCREW 5X25	1		



Products with multiple versions are listed in subsiding order with the newest version on top not indented.

Section	Fig. No.	Part No.	Description	CRU03Z	Tech Bulletin	Notes
2	24	922234-4	H.S.H.BOLT M5X20 WITH WG	2		
2	25	457267-5	LOOP HANDLE	1		
2	26	347113-9	UPPER CLAMP 35	1		
2	27	347114-7	LOWER CLAMP 35	1		
2	28	140P07-1	SHAFT PIPE COMPLETE E	1		
2	29	327056-1	SHAFT	1		
2	30	424942-8	DAMPER	1		
2	31	457269-1	PIPE HOLDER 24	1		
2	32	922244-1	H.S.H.BOLT M5X25 WITH WG	1		
2	33	451601-1	SPACER 24	1		
2	34	922211-6	H.S.H.BOLT M5X12 WITH W	1		
2	35	922233-6	H.S.H.BOLT M5X20 WITH WR	1		
2	36	319919-5	PIPE BRACKET	1		
2	37	911233-1	PAN HEAD SCREW M5X20	4		
2	38	263002-9	RUBBER PIN 4	1		
2	39	325811-5	SPINDLE HUB	1		
2	40	211131-2	BALL BEARING 6001DDW	1		
2	41	226931-7	HELICAL GEAR 29	1		
2	42	211140-1	BALL BEARING 6901ZZ	1		
2	42	211150-8	BALL BEARING 6901ZZ	1		
2	43	266459-3	TAPPING SCREW 5X25	4		
2	44	136231-6	GEAR BOX ASS'Y	1		INC. 45
2	45	213961-7	O RING 22	1		
2	46	226932-5	HELICAL GEAR 10	1		
2	47	210005-4	BALL BEARING 608DDW	1		
2	48	519587-6	ROTOR ASS'Y	1		INC. 46,47,49
2	49	211021-9	BALL BEARING 607ZZ	1		
2	49	210062-2	BALL BEARING 607ZZ	1		
2	50	266326-2	TAPPING SCREW 4X18	2		
2	51	459764-7	BAFFLE PLATE	1		
2	52	629471-8	STATOR	1		

Products with multiple versions are listed in subsiding order with the newest version on top not indented.

Section	Fig. No.	Part No.	Description	CRU03Z	Tech Bulletin	Notes
2	53	183N27-0	GRIP SET	1		INC. 61
2	54	140K37-2	INDICATION CIRCUIT COMPLETE	1		
2	55	140W06-5	SWITCH CIRCUIT COMPLETE G	1		
2	56	459759-0	LOCK OFF LEVER	1		
2	57	233101-1	COMPRESSION SPRING 4	1		
2	58	651436-2	SWITCH C3JW-1A-P-2	1		
2	59	233622-3	TORSION SPRING 12	1		
2	60	459758-2	SWITCH LEVER	1		
2	61	183N27-0	GRIP SET	1		INC. 53
2	62	266326-2	TAPPING SCREW 4X18	6		
2	63	922233-6	H.S.H.BOLT M5X20 WITH WR	1		
2	64	183N70-9	HOUSING SET	1		INC. 73
2	65	459763-9	MOTOR HOUSING	1		
2	68	699147-1	POWER SUPPLY CORD UNIT	1		
2	69	687149-9	STRAIN RELIEF	1		
2	70	266326-2	TAPPING SCREW 4X18	2		
2	71	620C71-5	CONTROLLER	1		
2	72	422609-2	GUARD	1		
2	73	183N70-9	HOUSING SET	1		INC. 64
2	74	266326-2	TAPPING SCREW 4X18	7		
2	75	856S23-8	CRU03 NAME PLATE	1		