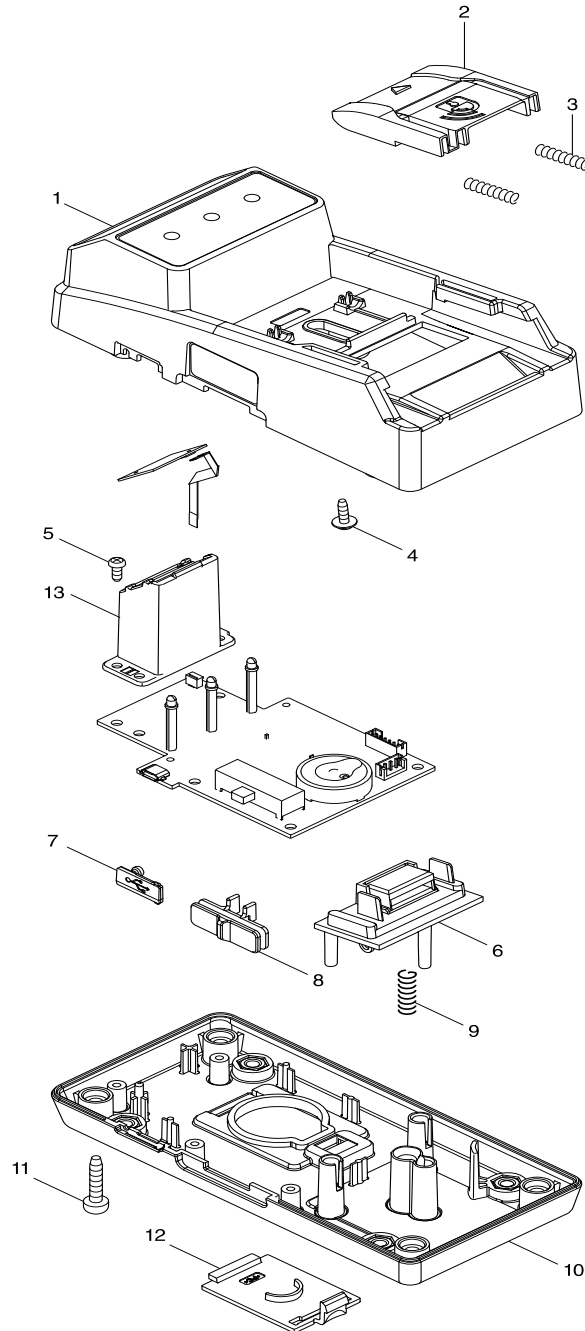




BPS01



Products with multiple versions are listed in subsiding order with the newest version on top not indented.

Section	Fig. No.	Part No.	Description	BPS01	Tech Bulletin	Notes
1	1	144207-9	UPPER CASE COMPLETE	1		
1	2	457076-2	TERMINAL COVER	1		
1	3	231474-6	COMPRESSION SPRING 4	2		
1	4	266278-7	TAPPING SCREW FLANGE BT3X10	1		
1	5	266764-8	TAPPING SCREW 3X8	5		
1	6	632G53-9	TERMINAL UNIT	1		
1	7	457079-6	MICRO USB COVER	1		
1	8	457078-8	SWICH PLATE	1		
1	9	233194-8	COMPRESSION SPRING 4	1		
1	10	144208-7	UNDER CASE COMPLETE	1		
1	11	266346-6	TAPPING SCREW BT 4X20	4		
1	12	457074-6	BATTERY COVER	1		
1	13	457077-0	SPACER	1		
1	A01	812E90-9	SECURITY LABEL	1		
1	A02	251511-0	TWO HOLE PAN HEAD SCREW M5X16	4		
1	A03	784026-7	TWO HOLE BIT	1		
1	A04	889B28-1	CD-ROM BPS01	1		