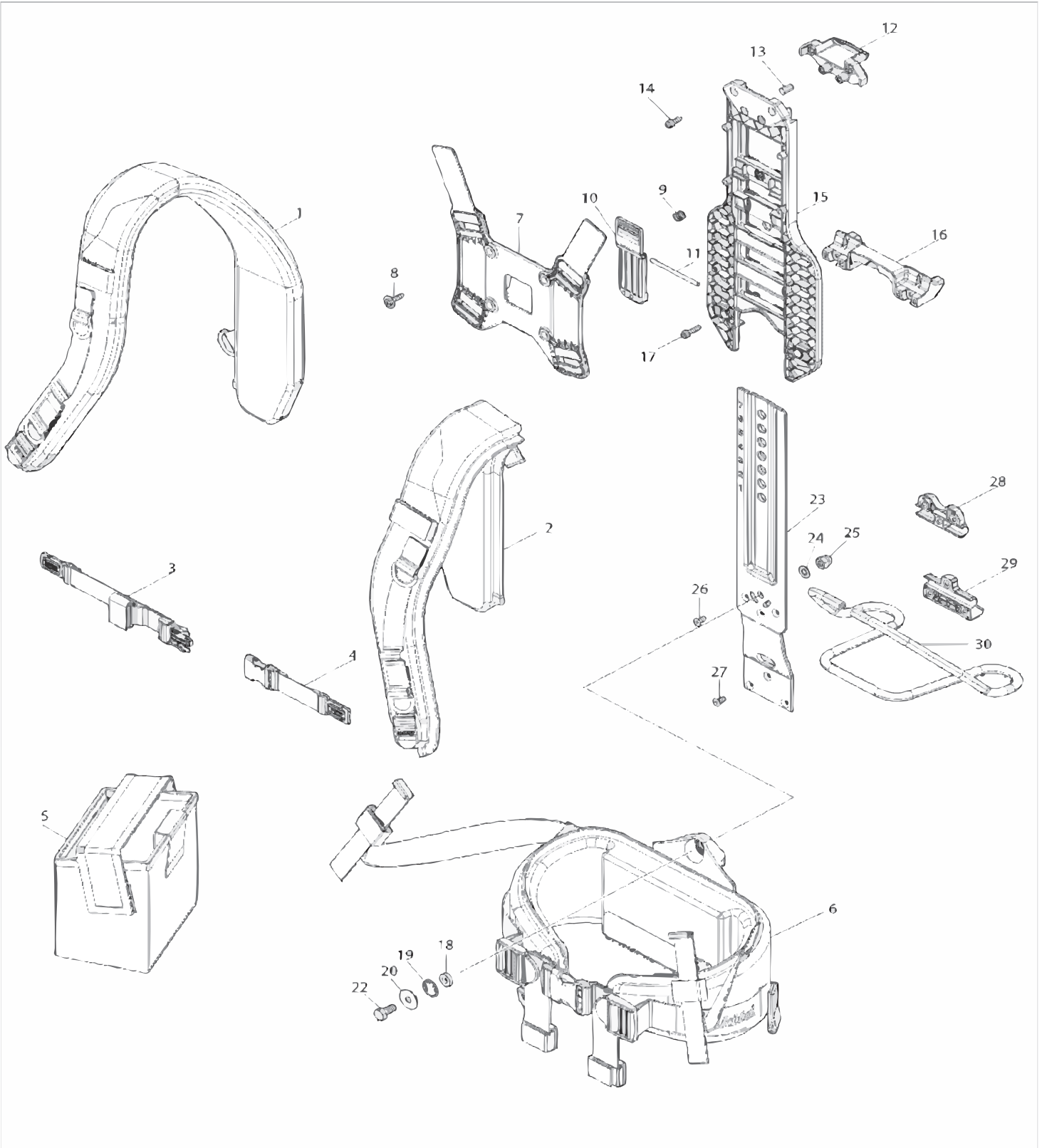




1913P9-4



45

Products with multiple versions are listed in subsiding order with the newest version on top not indented.

Section	Fig. No.	Part No.	Description	1913P9-4	Tech Bulletin	Notes
1	1	162C61-7	BAND R	1		
1	2	162C62-5	BAND L	1		
1	3	162C84-5	BELT 25R	1		
1	4	162C85-3	BELT 25L	1		
1	5	162C64-1	POCKET	1		
1	6	162C63-3	WAIST BELT	1		
1		413S92-8	ANGLE PLATE	1		W/6 Not Pictured
1	7	413S91-0	BACK PLATE	1		
1	8	265C05-7	TAPPING SCREW FRANGE 5X20	4		
1	9	232447-2	COMPRESSION SPRING 8	1		
1	10	413S95-2	LOCK LEVER	1		
1	11	256A44-6	ROD 4	1		
1	12	312E43-3	TOP HOLDER	1		
1	14	922216-6	H.S.H.BOLT M5X14 WITH W	4		
1	13	263045-1	RUBBER PIN 8	2		W/15
1	15	137125-8	HARNESS PLATE ASSEMBLY	1		
1	16	312E44-1	BOTTOM HOLDER	1		
1	17	922231-0	HEX. SOCKET HEAD BOLT M5X20	2		
1	18	257A14-8	RING 8	1		
1	19	213310-8	O RING 20	1		
1	20	253431-4	FLAT WASHER 8	1		
1	22	921427-0	HEX.BOLT M8X18	1		
1	23	347B57-5	STAND PLATE	1		
1	24	253165-9	FLAT WASHER 8	1		
1	25	252278-3	HEX. CAP NUT M8	1		
1	26	912212-2	COUNTERSUNK HEAD SCREW M5X12	3		
1	27	912212-2	COUNTERSUNK HEAD SCREW M5X12	3		
1	28	413S93-6	STAND HOLDER U	1		
1	29	413S94-4	STAND HOLDER L	1		
1	30	327C17-9	STAND	1		
1	45	1913P9-4	HARNESS ASSEMBLY SET	1		